



FSQ

We Bear The Rolling World

Since 1978



BH2015

Made in Taiwan

www.amcanbearing.com

Los Angeles Chicago Dallas Toronto Montréal Edmonton Vancouver



Certificate Number
95 / 5645

Some sizes of housings listed in this catalog may not be available.

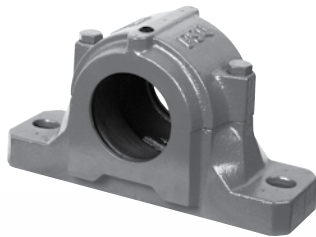
**SN500-600 Series
SN200-300 Series
SN3000 Series
SN3100 Series
Medium duty**



SSN500-600TAC Series



**SNK500-600 Series
SNK200-300 Series**



**SD500-600 Series
SD200-300 Series
SD3000 Series**



**SNK3000 Series
SNK3100 Series**



**SAF500-600 Series
SAF200-300 Series**



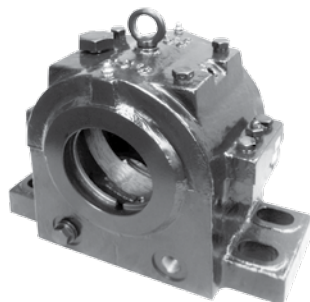
SD3100 Series



**SDAF500-600 Series
SDAF200-300 Series
SDAF-230K Series**



**SOFN500-600 Series
SOFN200-300 Series**



**BND2200 Series
BND3000 Series
BND3100 Series
BND3200 Series**



Founded in 1978, FSQ was merged with the big group-FAIR FRIEND GROUP (FFG) which is the leading manufacturer of CNC Machine Tools, PC Boards, Elevators, Car Parking Systems, Fork-lift Trucks, Pneumatic Tools, Spray Guns, Green Technology and some other products.

The products of FSQ consists of Pillow Blocks, Plummer Blocks (Split Pillow Blocks), Adapter Sleeves and Bushes including a comprehensive selection of ranges.

Made by FSQ

Stands for Excellence and Reliability. With consistent endeavour to maintain the highest quality, of its products and services, FSQ gives a concept of quality product does not necessary expensive.

Materials

The standard of FSQ bearing housings is made of grey cast iron. Certain housings are also available in spheroidal graphite cast iron (ductile iron) and cast steel if higher strength is required. However, housings in Stainless Steel is also can be supplied.

For applications where housings of greater strength are needed, FSQ manufactures ranges of bearing housings of SSN, SSNK, SSD,SSAF... The bases of these housings are solid and may be drilled for 2 or 4 bolt fixing are required.

Seals

Several different seals can be supplied. All rubber seals can be used at temperatures between -40°C and + 100°C.

Seals for temperature over 100°C are also available upon request.

Many other types of bearing housings not listed in this catalog and variants of listed housings adapted to customer demands can also be supplied.

1. Bearing Housings & Accessories

Index 01

Housing Designation 02

Standards & SNK Breaking Load 03-04

Seals for SNK Series 05-08

SNK 500-600 Series 09-11

SNK 200/300 Series 12-13

FSNK 500 Series 14

SNZ-SS NZ 200 Series 15

SN-SSN 500 Series 16-17

SN-SSN 600 Series 18-19

SN 3000, SN-3100 Series 20-21

SD 3100 Series 22-23

SD 500, SD 600 Series 24-25

SD 3000 Series 26-27

SNK 3100 Series 28-29

SNK 3000 Series 30-31

SAF 22500, 22600 Series 32-33

SAF 22200, 22300 Series 34-35

SDAF 22500, 22600 Series 36-37

SDAF 22200, 22300 Series 38-39

SAF/SDAF 23000K Series 40-41

SDAF 23100K Series 42-43

SDAF 23200 Series 44-45

BND 2200 Series 46-47

BND 3000 Series 48-49

BND 3100 Series 50-51

BND 3200 Series 52-53

SBD 2220 Series 54-55

SBD 2236 Series 56-57

SBD 2260 Series 58-59

SDGC 60-61

SOFN 217-248 62-63

SOFN 314-336 64-65

SOFN 517-548 66-67

SOFN 614-636 68-69

722500 Series 70-73

PDN 200/300 Series 74-75

Sealing Arrangement & End Cover 76-80

Taconite Seals 81

2. Pillow Blocks-Ball Bearing Units

UCP 200 Series 82

UCF 200 Series 83

UCFL 200 Series 84

UC 200 Series 85

3. Adapter Sleeves & Withdrawal Sleeves

SNW 00/SNW 100 Series 86

SNW 3000, SNP 3100/3200 Series 87-88

H2, H3, H23 Series 89

H30, H31, H32 Series 90

AH2, AH3, AH23, AH30 Series 91

AH22, AH31, AH32, AN00 Series 92

AW/MB00, AL/MS30, 31 Series 93

4. Hydraulic Adapter Sleeves

Introduction 94

OH23H 95

OH30H 96

OH31H 97

OH39H 98

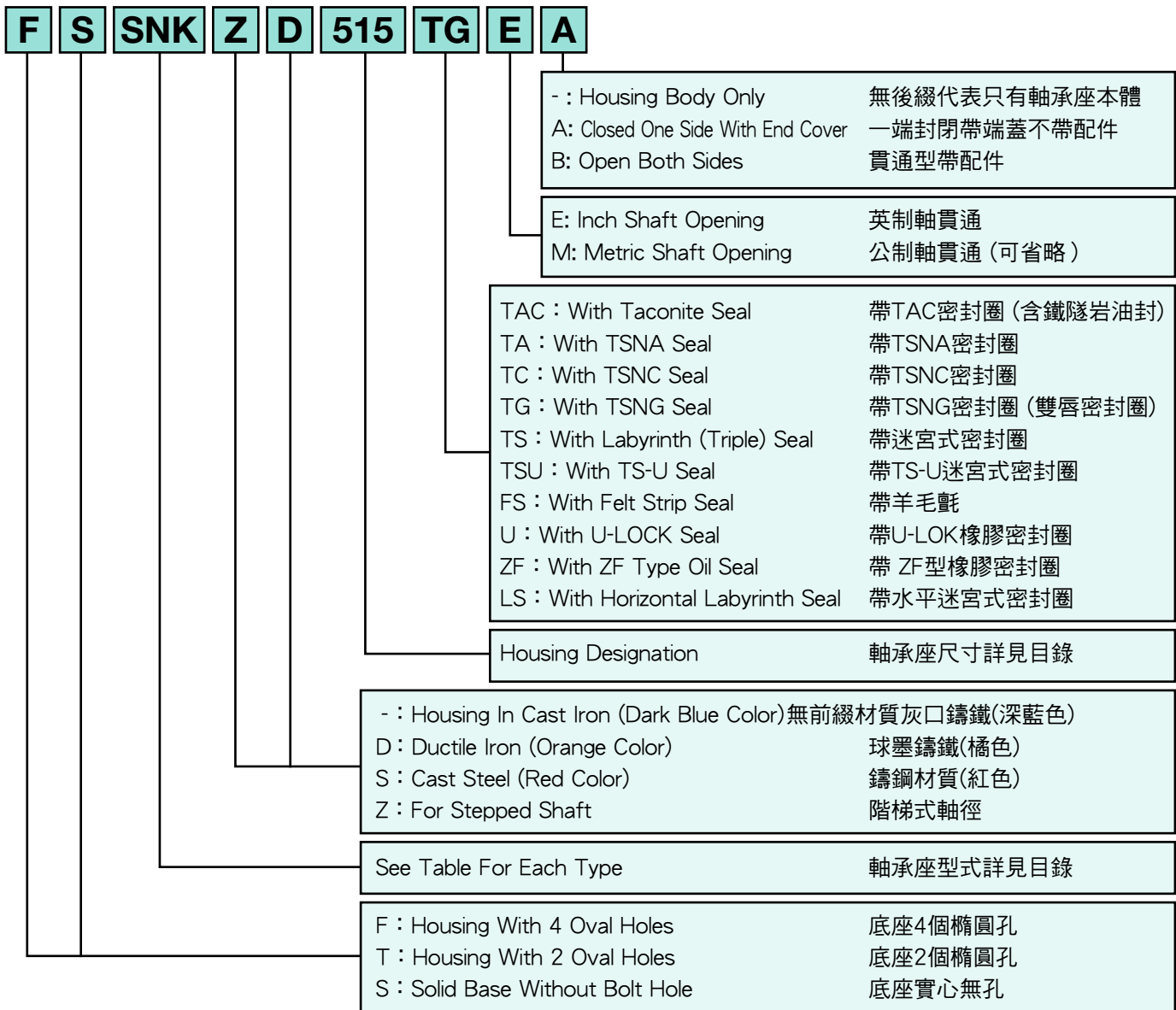
AOH22 99

AOH30 100

AOH31 101

AOH240 102

P.S.: Some sizes of bearing housings listed in this catalog may not be available.
 More items of bearing housings not listed in this catalog are available, please consult FSQ.



Suffix : 後綴代號意義

| | | | | | |
|----|---|-------------|----|-------------------------|------------|
| G | : Fixed Type Without Fixing Ring | 固定側免固定圈 | OL | : Oil Lubrication | 油循環功能軸承座 |
| H2 | : 2 Round Holes In Feet | 底座2圓孔 | WJ | : Water Jacketed Design | 水循環功能軸承座 |
| H4 | : 4 Round Holes In Feet | 底座4圓孔 | RO | : Without Fixing Ring | 不帶固定圈 |
| J1 | : Housing Feet Ends Machined | 底座兩端端面加工 | R1 | : With 1 Fixing Ring | 帶1固定圈 |
| X | : With Inner Box | 軸承座有內紙盒裝 | R2 | : With 2 Fixing Ring | 帶2固定圈 |
| J | : Housing Feet Machined Flat | 底座真平面加工 | R4 | : With 4 Fixing Ring | 帶4固定圈 |
| Y | : With Cap Bolt Grade8.8 | 結合螺絲中碳鋼8.8級 | | | |
| K | : Special Shaft Dia. To Be Specified. | | | | 特殊軸徑 |
| N1 | : 1 Grease Nipple Connection Hole, 1 Grease Escape Hole | | | | 1注油孔, 1洩油孔 |
| N2 | : 2 Grease Nipple Connection Holes, 2 Grease Escape Holes | | | | 2注油孔, 2洩油孔 |
| N3 | : 1 Grease Nipple Connection Hole, 2 Grease Escape Holes | | | | 1注油孔, 2洩油孔 |
| N4 | : 2 Grease Nipple Connection Holes, 1 Grease Escape Hole | | | | 2注油孔, 1洩油孔 |
| N5 | : 3 Grease Nipple Connection Holes, 1 Grease Escape Hole | | | | 3注油孔, 1洩油孔 |
| N6 | : 1 Grease Nipple Connection Hole, 4 Grease Escape Holes | | | | 1注油孔, 4洩油孔 |

Split pillow block bearing housings mentioned in the catalog are cast and produced in accordance with the ISO/R113 - 1994 standard. (B.S. 1642: 1969 standard, JIS B 1551 - 1968 standard) ; Adapter/Withdrawal Sleeves & Nut is according to ISO2982-1:1995 and ISO 2982-2:1995. The following tables show the standardization of materials and relative machining tolerance covering the housings and its accessories.

1. Materials:

A. Housing

| Material | ISO Code | U.S. Code | Tensile Strength kgf/mm ² | Yield Strength kgf/mm ² | Elongation |
|--------------------------------|---------------------------|-----------------------------|---|---------------------------------------|------------|
| CAST IRON | GRADE 200 (FC200) | ASTM A48 GRADE 30 | 20 | - | - |
| DUCTILE IRON (S.G.) | GRADE 450-10 (FCD 450) | ASTM A536 GRADE 65-45-12 | 45 | 30 | 10% |
| CAST STEEL | GRADE 230-450 (SC 450) | ASTM A27 GRADE 65-35 | 46 | 23 | 19% |

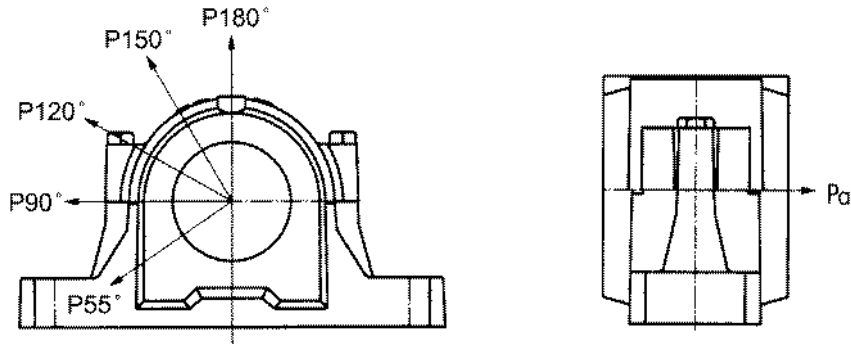
- Stainless steel material is also available.

B. Accessories:

| Name | Part No. | Materials |
|-----------------------------------|--------------|--|
| Felt Strip | FS | 80% Wool, 20% Rayon, Density 0.25g/cm ³ |
| Locating Ring | SR | Aluminum |
| Hexagon Bolt | M | Mild Steel AISI 1010 (SS41)/Grade 8.8 |
| ZF Seal | ZF | NBR |
| TC Seal | OSM | NBR |
| U-LOK Seal | U-500 | NBR |
| TSNG Seal | TSNG500 | NBR |
| V-RING Seal | TSNA500 | NBR & Mild Steel Plate |
| Labyrinth Seal | TS/LER | Cast Iron/Aluminum |
| Taconite Seals | TAC/TER/TACK | Cast Iron |
| End Cover | 500A/500NA | NBR & Mild Steel Plate |
| End Plate | P | Mild Steel Plate |
| End Cover | TSA | Cast Iron |
| End Plug | EPR | NBR & Mild Steel Plate |
| Eye-Bolt | W/M | Mild Steel AISI 1010 |
| Adapter/Withdrawal Sleeves | H,AH,SNW,SNP | AISI 1020 |

Declaration: Weights listed in this catalog are subject to change without notice.

THE BREAKING LOADS ON SNK500 PLUMMER BLOCK HOUSINGS.

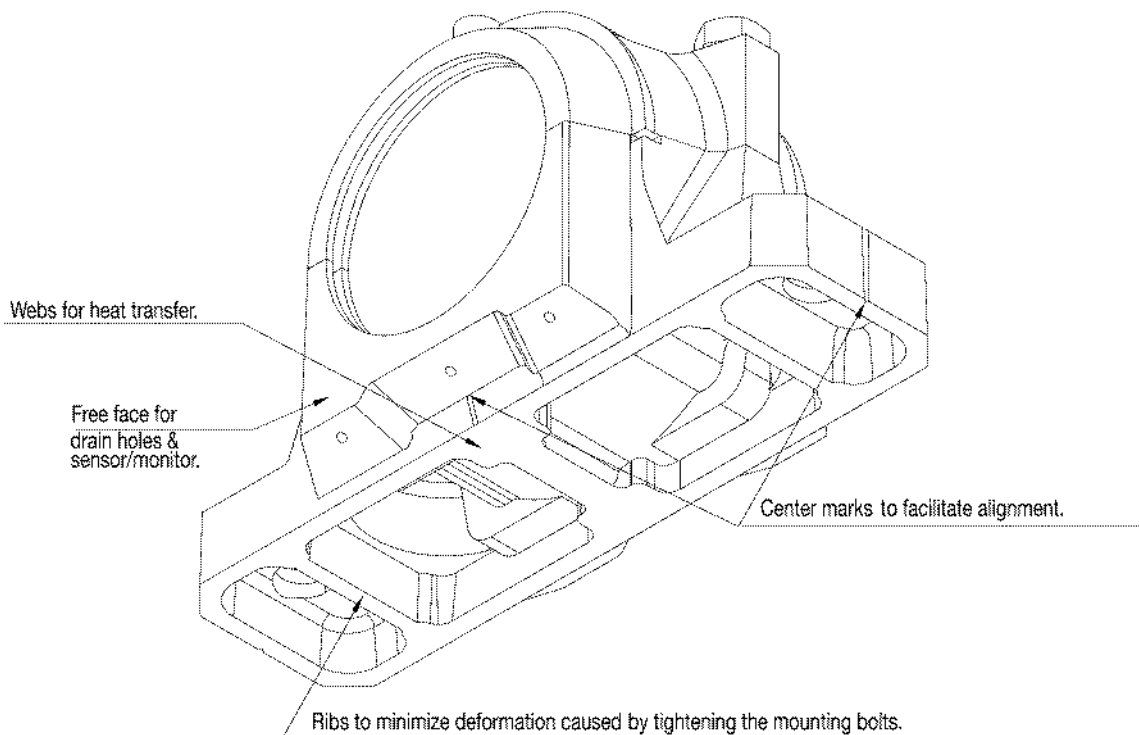
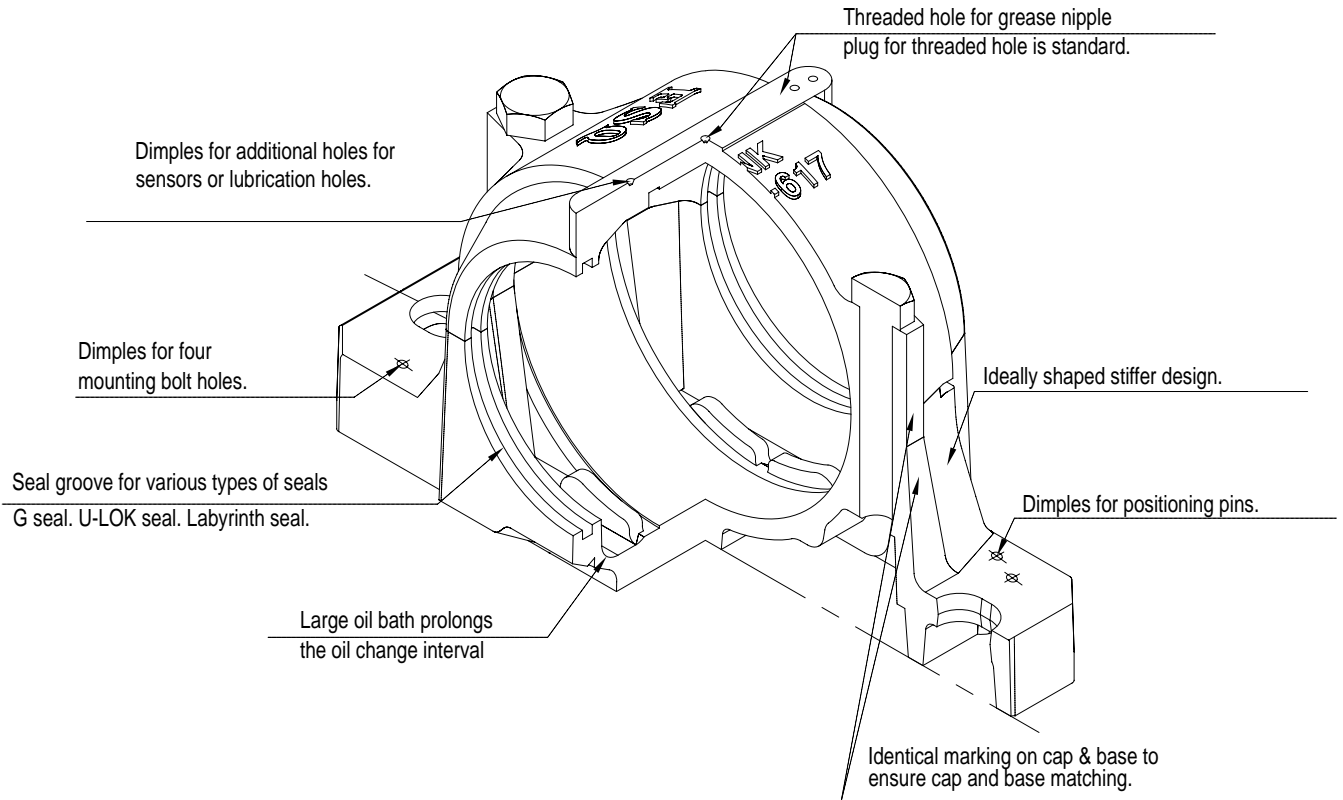


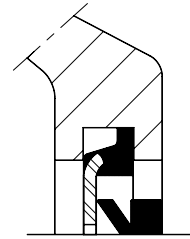
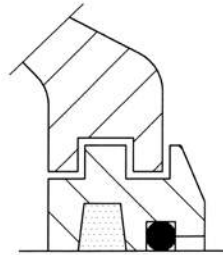
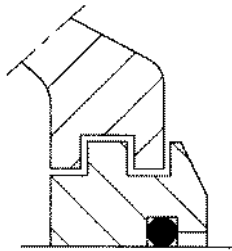
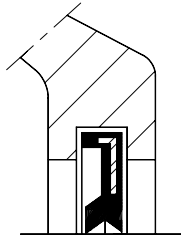
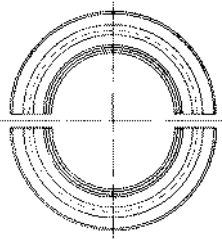
Breaking Loads of SNK Housings

| Housings No. | Breaking Loads (kN) Max | | | | | Pa | Cap bolts Yield point for bolts (kN) | | |
|--------------------|-------------------------|------|-------|-------|-------|-----|--------------------------------------|-------|-------|
| | P55° | P90° | P120° | P150° | P180° | | P120° | P150° | P180° |
| SNK 205 505 | 160 | 90 | 65 | 55 | 75 | 50 | 150 | 85 | 75 |
| SNK 206 506-605 | 175 | 95 | 75 | 60 | 80 | 52 | 150 | 85 | 75 |
| SNK 207 507-606 | 195 | 110 | 80 | 75 | 90 | 57 | 150 | 85 | 75 |
| SNK 208 508-607 | 220 | 125 | 90 | 80 | 100 | 65 | 150 | 85 | 75 |
| SNK 209 509 | 235 | 135 | 90 | 85 | 105 | 72 | 150 | 85 | 75 |
| SNK 210 510-608 | 275 | 150 | 110 | 100 | 120 | 82 | 150 | 85 | 75 |
| SNK 211 511-609 | 285 | 165 | 115 | 105 | 130 | 85 | 220 | 125 | 110 |
| SNK 212 512-610 | 310 | 175 | 120 | 110 | 140 | 95 | 220 | 125 | 110 |
| SNK 213 513-611 | 350 | 195 | 140 | 120 | 160 | 105 | 220 | 125 | 110 |
| SNK 215 515-612 | 420 | 240 | 170 | 150 | 190 | 130 | 220 | 125 | 110 |
| SNK 216 516-613 | 440 | 250 | 175 | 160 | 200 | 135 | 220 | 125 | 110 |
| SNK 217 517 | 495 | 280 | 190 | 175 | 220 | 145 | 220 | 125 | 110 |
| SNK 218 518-615 | 550 | 325 | 230 | 200 | 255 | 175 | 400 | 230 | 200 |
| SNK 519-616 | 580 | 335 | 240 | 210 | 270 | 180 | 400 | 230 | 200 |
| SNK 520-617 | 620 | 350 | 260 | 230 | 285 | 190 | 620 | 520 | 310 |
| SNK 522-619 | 680 | 390 | 285 | 250 | 315 | 210 | 620 | 520 | 310 |
| SNK 524-620 | 790 | 450 | 320 | 300 | 370 | 250 | 620 | 520 | 310 |
| SNK 526 | 900 | 515 | 375 | 330 | 415 | 280 | 900 | 520 | 310 |
| SNK 528 | 1050 | 600 | 435 | 395 | 490 | 330 | 900 | 520 | 310 |
| SNK 530 | 1200 | 700 | 510 | 440 | 550 | 370 | 900 | 520 | 310 |
| SNK 532 | 1450 | 820 | 620 | 520 | 660 | 450 | 900 | 520 | 310 |

- Note: (1) This data is for Cast Iron.
 (2) Cap bolt material is Commercial Grade 8.8
 (3) For SG iron multiply values by the factor 1.8
 (4) Safety factor: 6

Interchangeable with SNA/SNU/SNH/SNN/SNV/SNL





U-LOK® Seal Kit

U-LOK Seal, U5xx

TS-U Seal, TS5xxU
for temperature up to +120°C

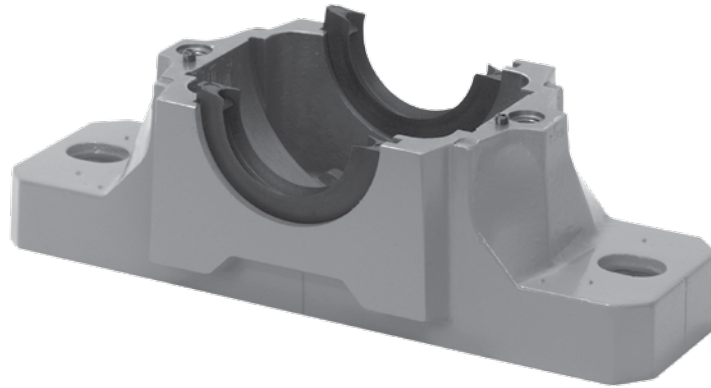
TS-UF Seal, TS5xxUF
for temperature up to +120°C

V-Ring Seal, TSNA5xx

| Shaft Dia. | Housing | U-LOK Kit | Closed Cover | Labyrinth Seal | Open V-Ring Kit | TACK |
|------------|------------|------------------|--------------|----------------|-----------------|---------------|
| 20 | SNK505 | U505 | 505A | TS505-U | TSNA505 | Taconite Seal |
| | | | | | | TACK-505 |
| 25 | SNK506-605 | U605 | 506A | TS605-U | TSNA605 | TACK-506 |
| | | | | | | TACK-507 |
| 30 | SNK507-606 | U606 | 507A | TS606-U | TSNA606 | TACK-508 |
| | | | | | | TACK-509 |
| 35 | SNK508-607 | U508 | 508A | TS508-U | TSNA508 | TACK-510 |
| | | | | | | TACK-511 |
| 40 | SNK510-608 | U608 | 510A | TS608-U | TSNA608 | TACK-512 |
| | | | | | | TACK-513 |
| 45 | SNK509 | U509 | 509A | TS509-U | TSNA509 | TACK-515 |
| | | | | | | TACK-516 |
| 50 | SNK511-609 | U609 | 511A | TS609-U | TSNA609 | TACK-517 |
| | | | | | | TACK-518 |
| 55 | SNK512-610 | U510 | 510A | TS510-U | TSNA510 | TACK-519 |
| | | | | | | TACK-520 |
| 60 | SNK513-611 | U610 | 512A | TS610-U | TSNA610 | TACK-522 |
| | | | | | | TACK-524 |
| 65 | SNK515-612 | U511 | 511A | TS511-U | TSNA511 | TACK-526 |
| | | | | | | TACK-528 |
| 70 | SNK516-613 | U611 | 513A | TS611-U | TSNA611 | TACK-530 |
| | | | | | | TACK-532 |
| 75 | SNK518-615 | U512 | 512A | TS512-U | TSNA512 | TACK-532 |
| | | | | | | TACK-532 |
| 80 | SNK515-612 | U612 | 515A | TS612-U | TSNA612 | TACK-532 |
| | | | | | | TACK-532 |
| 85 | SNK516-613 | U513 | 513A | TS513-U | TSNA513 | TACK-532 |
| | | | | | | TACK-532 |
| 90 | SNK519-616 | U613 | 516A | TS613-U | TSNA613 | TACK-532 |
| | | | | | | TACK-532 |
| 95 | SNK518-615 | U515 | 515A | TS515-U | TSNA515 | TACK-532 |
| | | | | | | TACK-532 |
| 100 | SNK516-613 | U615 | 518A | TS615-U | TSNA615 | TACK-532 |
| | | | | | | TACK-532 |
| 105 | SNK516-613 | U516 | 516A | TS516-U | TSNA516 | TACK-532 |
| | | | | | | TACK-532 |
| 110 | SNK519-616 | U616 | 519A | TS616-U | TSNA616 | TACK-532 |
| | | | | | | TACK-532 |
| 115 | SNK517 | U517 | 517A | TS517-U | TSNA517 | TACK-532 |
| | | | | | | TACK-532 |
| 120 | SNK520-617 | U617 | 520A | TS617-U | TSNA617 | TACK-532 |
| | | | | | | TACK-532 |
| 125 | SNK518-615 | U518 | 518A | TS518-U | TSNA518 | TACK-532 |
| | | | | | | TACK-532 |
| 130 | SNK519-616 | U519 | 519A | TS519-U | TSNA519 | TACK-532 |
| | | | | | | TACK-532 |
| 135 | SNK522-619 | U619 | 522A | TS619-U | TSNA619 | TACK-532 |
| | | | | | | TACK-532 |
| 140 | SNK520-617 | U520 | 520A | TS520-U | TSNA520 | TACK-532 |
| | | | | | | TACK-532 |
| 145 | SNK524-620 | U620 | 524A | TS620-U | TSNA620 | TACK-532 |
| | | | | | | TACK-532 |
| 150 | SNK522-619 | U522 | 522A | TS522-U | TSNA522 | TACK-532 |
| | | | | | | TACK-532 |
| 155 | SNK524-620 | U524 | 524A | TS524-U | TSNA524 | TACK-532 |
| | | | | | | TACK-532 |
| 160 | SNK526 | U526 | 526A | TS526-U | TSNA526 | TACK-532 |
| | | | | | | TACK-532 |
| 165 | SNK528 | U528 | 528A | TS528-U | TSNA528 | TACK-532 |
| | | | | | | TACK-532 |
| 170 | SNK530 | U530 | 530A | TS530-U | TSNA530 | TACK-532 |
| | | | | | | TACK-532 |
| 175 | SNK532 | U532 | 532A | TS532-U | TSNA532 | TACK-532 |
| | | | | | | TACK-532 |
| | | 4 Halves per kit | Qty 1 | Qty 1 | 2 Pcs per kit | Unit |

• TSNC Seal is also available.

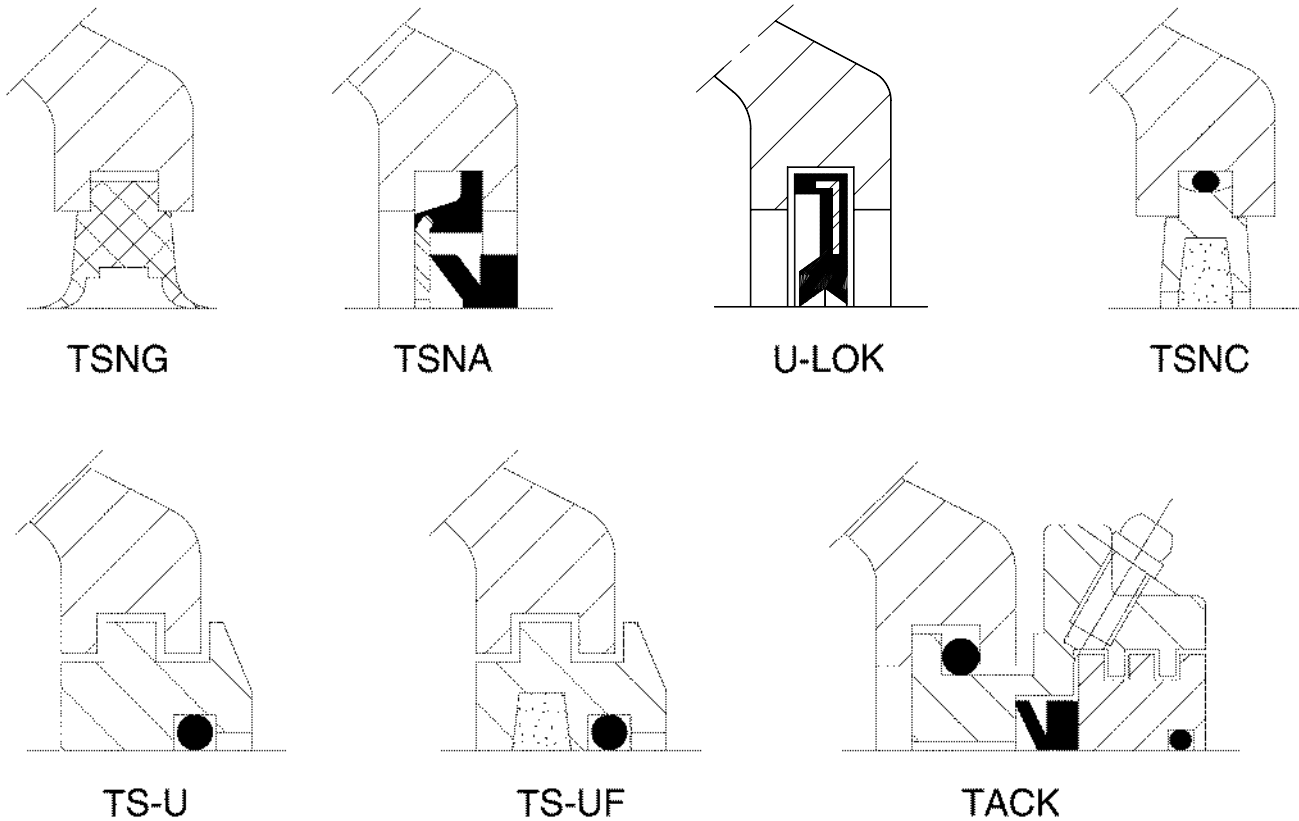
TSNG Seal can fit both metric & imperial shaft.



| TSNG Seal | Shaft Dia. | | | | TSNG Seal | Shaft Dia. | | | |
|-----------|------------|-------|-------|---------|-----------|------------|-------|-------|---------|
| | H mm | HE in | HS in | HA in | | H mm | HE in | HS in | HA in |
| TSNG505 | 20 | 3/4 | - | - | TSNG605 | 20 | 3/4 | - | - |
| TSNG506 | 25 | 1 | - | 15/16 | TSNG606 | 25 | 1 | - | 15/16 |
| TSNG507 | 30 | - | - | 1-3/16 | TSNG607 | 30 | - | - | 1-3/16 |
| TSNG508 | 35 | - | 1-3/8 | 1-5/16 | TSNG608 | 35 | - | 1-3/8 | 1-5/16 |
| TSNG509 | 40 | 1-1/2 | 1-5/8 | - | TSNG609 | 40 | 1-1/2 | 1-5/8 | - |
| TSNG510 | 45 | 1-3/4 | - | - | TSNG610 | 45 | 1-3/4 | - | - |
| TSNG511 | 50 | 2 | - | 1-15/16 | TSNG611 | 50 | 2 | - | 1-15/16 |
| TSNG512 | 55 | - | 2-1/8 | - | TSNG612 | 55 | - | 2-1/8 | - |
| TSNG513 | 60 | 2-1/4 | 2-3/8 | - | TSNG613 | 60 | 2-1/4 | 2-3/8 | - |
| TSNG515 | 65 | 2-1/2 | - | - | TSNG615 | 65 | 2-1/2 | - | - |
| TSNG516 | 70 | 2-3/4 | - | 2-11/16 | TSNG616 | 70 | 2-3/4 | - | 2-11/16 |
| TSNG517 | 75 | 3 | - | 2-15/16 | TSNG617 | 75 | 3 | - | 2-15/16 |
| TSNG518 | 80 | 3-1/4 | - | 3-3/16 | TSNG619 | 85 | 3-1/4 | - | - |
| TSNG519 | 85 | 3-1/4 | - | - | TSNG620 | 90 | 3-1/2 | - | 3-7/16 |
| TSNG520 | 90 | 3-1/2 | - | 3-7/16 | | | | | |
| TSNG522 | 100 | 4 | - | 3-15/16 | | | | | |
| TSNG524 | 110 | 4-1/4 | - | 4-3/16 | | | | | |
| TSNG526 | 115 | 4-1/2 | - | 4-7/16 | | | | | |
| TSNG528 | 125 | 5 | - | 4-15/16 | | | | | |
| TSNG530 | 135 | 5-1/4 | - | 5-3/16 | | | | | |
| TSNG532 | 140 | 5-1/2 | - | 5-7/16 | | | | | |

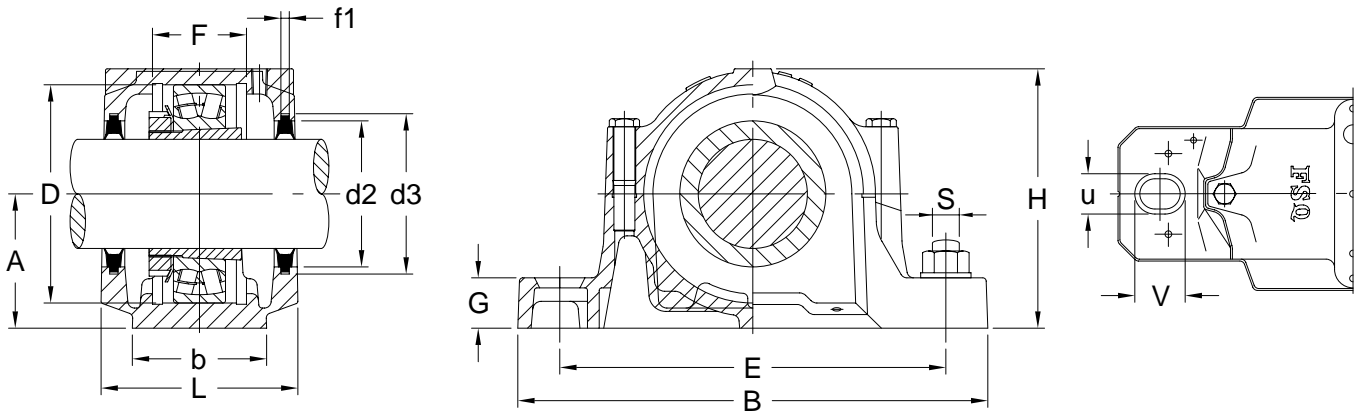
• 4 halves per kit in a package.

There are several different types of seal designs for use in SNK type Bearing Housings. Many alternative choices are available to the user to ensure that the correct or most suitable solution will be found to meet the condition surrounding a particular application.



| Seal Selection | TSNG | TSNC | TSNA | U-LOK | TS-UF | TS-U | TACK |
|--------------------------------------|----------------|----------------|------------------------|----------------|------------------|------------------|------------------|
| Material | NBR | Mild Steel+FS | NBR + Mild Steel Plate | NBR | Cast Iron+FS | Cast Iron | Cast Iron+Rubber |
| Temperature | -20°C ~ +100°C | -20°C ~ +100°C | -20°C ~ +100°C | -20°C ~ +100°C | -20°C ~ +120°C * | -20°C ~ +120°C * | -20°C ~ +100°C |
| Maximum Speed | 4m/s | 4m/s | 7m/s | 4m/s | Same as bearing | Same as bearing | 7m/s |
| Grease Relubrication | Excellent | Good | Excellent | Excellent | Good | Good | Good |
| Oil Lubrication | Good | Poor | Good | Good | Excellent | Excellent | Good |
| Low Friction | Good | Poor | Good | Good | Excellent | Excellent | Good |
| Against Dust/Fine Particulate | Excellent | Excellent | Excellent | Excellent | Good | Excellent | Excellent |
| Against Coarse Particulate | Good | Excellent | Poor | Good | Good | Excellent | Poor |
| Against Water | Good | Fair | Good | Good | Fair | Fair | Good |

NOTES: * Operating temperature range can be -50°C to +200°C, please consult FSQ



| Housing No. | L | b | f1 H13 | F H13 | D H7 | d2 H12 | d3 H12 | H | A h12 | G | E | B | v | u | S | Weight (kg) |
|-------------|-----|-----|-----------|----------|---------|-----------|-----------|-------|----------|----|-----|-----|----|----|----|------------------|
| SNK 505 | 67 | 46 | 5 | 25 | 52 | 31.5 | 39.5 | 74 | 40 | 19 | 130 | 165 | 20 | 15 | 12 | 1.45 |
| SNK 506-605 | 77 | 52 | 5 | 32 | 62 | 36.5 | 44.5 | 89 | 50 | 22 | 150 | 185 | 20 | 15 | 12 | 2.02 |
| SNK 507-606 | 82 | 52 | 5 | 34 | 72 | 46.5 | 54.5 | 93 | 50 | 22 | 150 | 185 | 20 | 15 | 12 | 2.23 |
| SNK 508-607 | 85 | 60 | 5 | 39 | 80 | 51.5 | 59.5 | 107 | 60 | 25 | 170 | 205 | 20 | 15 | 12 | 2.89 |
| SNK 509 | 85 | 60 | 5 | 30 | 85 | 56.5 | 64.5 | 109 | 60 | 25 | 170 | 205 | 20 | 15 | 12 | 2.93 |
| SNK 510-608 | 90 | 60 | 5 | 41 | 90 | 62 | 70.5 | 113 | 60 | 25 | 170 | 205 | 20 | 15 | 12 | 3.24 |
| SNK 511-609 | 95 | 70 | 5 | 44 | 100 | 67 | 75.5 | 127.5 | 70 | 28 | 210 | 255 | 24 | 18 | 16 | 4.51 |
| SNK 512-610 | 105 | 70 | 5 | 48 | 110 | 72 | 80.5 | 133 | 70 | 30 | 210 | 255 | 24 | 18 | 16 | 5.48 |
| SNK 513-611 | 110 | 80 | 5 | 51 | 120 | 77 | 85.5 | 148.5 | 80 | 30 | 230 | 275 | 24 | 18 | 16 | 6.52 |
| SNK 515-612 | 115 | 80 | 5 | 56 | 130 | 87 | 95.5 | 154.5 | 80 | 30 | 230 | 280 | 24 | 18 | 16 | 6.97 |
| SNK 516-613 | 120 | 90 | 5 | 58 | 140 | 92.5 | 101 | 175.5 | 95 | 32 | 260 | 315 | 28 | 22 | 20 | 9.73 |
| SNK 517 | 125 | 90 | 5 | 61 | 150 | 97.5 | 106 | 183 | 95 | 32 | 260 | 320 | 28 | 22 | 20 | 10.35 |
| SNK 518-615 | 140 | 100 | 5 | 65 | 160 | 102.5 | 111 | 193 | 100 | 35 | 290 | 345 | 28 | 22 | 20 | 13.21 |
| SNK 519-616 | 145 | 100 | 6 | 68 | 170 | 131 | 141 | 210 | 112 | 35 | 290 | 345 | 28 | 22 | 20 | 14.01 |
| SNK 520-617 | 160 | 110 | 6 | 70 | 180 | 137.5 | 147.5 | 215 | 112 | 40 | 320 | 380 | 32 | 26 | 24 | 16.33 |
| SNK 522-619 | 175 | 120 | 6 | 80 | 200 | 147.5 | 157.5 | 239 | 125 | 45 | 350 | 410 | 32 | 26 | 24 | 22.97 |
| SNK 524-620 | 185 | 120 | 6 | 86 | 215 | 157.5 | 167.5 | 271 | 140 | 45 | 350 | 410 | 32 | 26 | 24 | 27.94 |
| SNK 526 | 190 | 130 | 6 | 90 | 230 | 167.5 | 177.5 | 290 | 150 | 50 | 380 | 445 | 35 | 28 | 24 | 32.94 |
| SNK 528 | 205 | 150 | 6 | 98 | 250 | 177.5 | 187.5 | 302 | 150 | 50 | 420 | 500 | 42 | 35 | 30 | 38.62 |
| SNK 530 | 220 | 160 | 6 | 106 | 270 | 192.5 | 202.5 | 323 | 160 | 60 | 450 | 530 | 42 | 35 | 30 | 46.97 |
| SNK 532 | 235 | 160 | 6 | 114 | 290 | 202.5 | 212.5 | 344 | 170 | 60 | 470 | 550 | 42 | 35 | 30 | 59.06 |

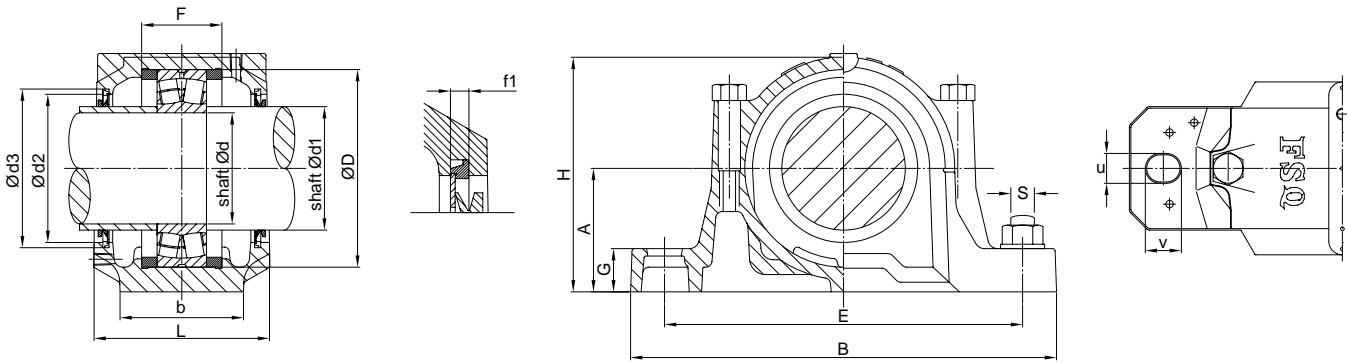
NOTES:

- SNK/SNU housings can be equipped with TSNG, U-LOK, TSNA, TS-U & TS-UF seals.
- Weight is only for reference.

| Shaft Dia. mm | Housing No. | Bearing No. | | Adapter Sleeve | Sealing Arrangement * | | | End Cover | Locating Ring | |
|------------------|--------------------|-----------------|------------------|----------------|-----------------------|-----------------|----------------|-----------|---------------|------|
| | | Self-Alig. Ball | Spherical Roller | | Standard | Alternative | | | Number | O'ty |
| | | | | | | Double-lip Seal | Labyrinth Seal | | | |
| | | U-Lok | TSNG | | TS-U | | | | | |
| 20 | SNK 505 | 1205K | - | H205 | U505 | TSNG 505 | TS505U | 505A | 52x5 | 2 |
| | SNK 505 | 2205K | 22205K | H305 | U505 | TSNG 505 | TS505U | 505A | 52x3.5 | 2 |
| | SNK 506-605 | 1305K | - | H305 | U605 | TSNG 605 | TS605U | 506A | 62x7.5 | 2 |
| | SNK 506-605 | 2305K | - | H2305 | U605 | TSNG 605 | TS605U | 506A | 62x4 | 2 |
| 25 | SNK 506-605 | 1206K | - | H206 | U506 | TSNG 506 | TS506U | 506A | 62x8 | 2 |
| | SNK 506-605 | 2206K | 22206K | H306 | U506 | TSNG 506 | TS506U | 506A | 62x6 | 2 |
| | SNK 507-606 | 1306K | - | H306 | U606 | TSNG 606 | TS606U | 507A | 72x7.5 | 2 |
| | SNK 507-606 | 2306K | - | H2306 | U606 | TSNG 606 | TS606U | 507A | 72x3.5 | 2 |
| 30 | SNK 507-606 | 1207K | - | H207 | U507 | TSNG 507 | TS507U | 507A | 72x8.5 | 2 |
| | SNK 507-606 | 2207K | 22207K | H307 | U507 | TSNG 507 | TS507U | 507A | 72x5.5 | 2 |
| | SNK 508-607 | 1307K | - | H307 | U607 | TSNG 607 | TS607U | 508A | 80x9 | 2 |
| | SNK 508-607 | 2307K | - | H2307 | U607 | TSNG 607 | TS607U | 508A | 80x4 | 2 |
| 35 | SNK 508-607 | 1208K | - | H208 | U508 | TSNG 508 | TS508U | 508A | 80x10.5 | 2 |
| | SNK 508-607 | 2208K | 22208K | H308 | U508 | TSNG 508 | TS508U | 508A | 80x8 | 2 |
| | SNK 510-608 | 1308K | 21308K | H308 | U608 | TSNG 608 | TS608U | 510A | 90x9 | 2 |
| | SNK 510-608 | 2308K | 22308K | H2308 | U608 | TSNG 608 | TS608U | 510A | 90x4 | 2 |
| 40 | SNK 509 | 1209K | - | H209 | U509 | TSNG 509 | TS509U | 509A | 85x5.5 | 2 |
| | SNK 509 | 2209K | 22209K | H309 | U509 | TSNG 509 | TS509U | 509A | 85x3.5 | 2 |
| | SNK 511-609 | 1309K | 21309K | H309 | U609 | TSNG 609 | TS609U | 511A | 100x9.5 | 2 |
| | SNK 511-609 | 2309K | 22309K | H2309 | U609 | TSNG 609 | TS609U | 511A | 100x4 | 2 |
| 45 | SNK 510-608 | 1210K | - | H210 | U510 | TSNG 510 | TS510U | 510A | 90x10.5 | 2 |
| | SNK 510-608 | 2210K | 22210K | H310 | U510 | TSNG 510 | TS510U | 510A | 90x9 | 2 |
| | SNK 512-610 | 1310K | 21310K | H310 | U610 | TSNG 610 | TS610U | 512A | 110x10.5 | 2 |
| | SNK 512-610 | 2310K | 22310K | H2310 | U610 | TSNG 610 | TS610U | 512A | 110x4 | 2 |
| 50 | SNK 511-609 | 1211K | - | H211 | U511 | TSNG 511 | TS511U | 511A | 100x11.5 | 2 |
| | SNK 511-609 | 2211K | 22211K | H311 | U511 | TSNG 511 | TS511U | 511A | 100x9.5 | 2 |
| | SNK 513-611 | 1311K | 21311K | H311 | U611 | TSNG 611 | TS611U | 513A | 120x11 | 2 |
| | SNK 513-611 | 2311K | 22311K | H2311 | U611 | TSNG 611 | TS611U | 513A | 120x4 | 2 |
| 55 | SNK 512-610 | 1212K | - | H212 | U512 | TSNG 512 | TS512U | 512A | 110x13 | 2 |
| | SNK 512-610 | 2212K | 22212K | H312 | U512 | TSNG 512 | TS512U | 512A | 110x10 | 2 |
| | SNK 515-612 | 1312K | 21312K | H312 | U612 | TSNG 612 | TS612U | 515A | 130x12.5 | 2 |
| | SNK 515-612 | 2312K | 22312K | H2312 | U612 | TSNG 612 | TS612U | 515A | 130x5 | 2 |
| 60 | SNK 513-611 | 1213K | - | H213 | U513 | TSNG 513 | TS513U | 513A | 120x14 | 2 |
| | SNK 513-611 | 2213K | 22213K | H313 | U513 | TSNG 513 | TS513U | 513A | 120x10 | 2 |
| | SNK 516-613 | 1313K | 21313K | H313 | U613 | TSNG 613 | TS613U | 516A | 140x12.5 | 2 |
| | SNK 516-613 | 2313K | 22313K | H2313 | U613 | TSNG 613 | TS613U | 516A | 140x5 | 2 |
| 65 | SNK 515-612 | 1215K | - | H215 | U515 | TSNG 515 | TS515U | 515A | 130x15.5 | 2 |
| | SNK 515-612 | 2215K | 22215K | H315 | U515 | TSNG 515 | TS515U | 515A | 130x12.5 | 2 |
| | SNK 518-615 | 1315K | 21315K | H315 | U615 | TSNG 615 | TS615U | 518A | 160x14 | 2 |
| | SNK 518-615 | 2315K | 22315K | H2315 | U615 | TSNG 615 | TS615U | 518A | 160x5 | 2 |

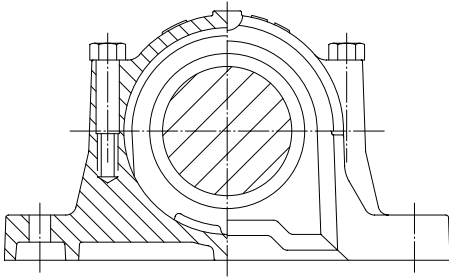
| Shaft Dia. mm | Housing No. | Bearing No. | | Adapter Sleeve | Sealing Arrangement * | | | End Cover | Locating Ring | |
|---------------|--------------------|-----------------|------------------|----------------|-----------------------|-----------------|----------------|-----------|---------------|------|
| | | Self-Alig. Ball | Spherical Roller | | Standard | Alternative | | | Number | O'ty |
| | | | | | U-Lok | Double-lip Seal | Labyrinth Seal | | | |
| | | | | | | TSNG | TS-U | | | |
| 70 | SNK 516-613 | 1216K | – | H216 | U516 | TSNG 516 | TS516U | 516A | 140x16 | 2 |
| | SNK 516-613 | 2216K | 22216K | H316 | U516 | TSNG 516 | TS516U | 516A | 140x12.5 | 2 |
| | SNK 519-616 | 1316K | 21316K | H316 | U616 | TSNG 616 | TS616U | 519A | 170x14.5 | 2 |
| | SNK 519-616 | 2316K | 22316K | H2316 | U616 | TSNG 616 | TS616U | 519A | 170x5 | 2 |
| 75 | SNK 517 | 1217K | – | H217 | U517 | TSNG 517 | TS517U | 517A | 150x16.5 | 2 |
| | SNK 517 | 2217K | 22217K | H317 | U517 | TSNG 517 | TS517U | 517A | 150x12.5 | 2 |
| | SNK 520-617 | 1317K | 21317K | H317 | U617 | TSNG 617 | TS617U | 520A | 180x14.5 | 2 |
| | SNK 520-617 | 2317K | 22317K | H2317 | U617 | TSNG 617 | TS617U | 520A | 180x5 | 2 |
| 80 | SNK 518-615 | 1218K | – | H218 | U518 | TSNG 518 | TS518U | 518A | 160x17.5 | 2 |
| | SNK 518-615 | 2218K | 22218K | H318 | U518 | TSNG 518 | TS518U | 518A | 160x12.5 | 2 |
| | SNK 518-615 | – | 23218K | H2318 | U518 | TSNG 518 | TS518U | 518A | 160x12.5 | 1 |
| 85 | SNK 519-616 | 1219K | – | H219 | U519 | TSNG 519 | TS519U | 519A | 170x18 | 2 |
| | SNK 519-616 | 2219K | 22219K | H319 | U519 | TSNG 519 | TS519U | 519A | 170x12.5 | 2 |
| | SNK 522-619 | – | 22319K | H2319 | U619 | TSNG 619 | TS619U | 522A | 200x13 | 1 |
| 90 | SNK 520-617 | 1220K | – | H220 | U520 | TSNG 520 | TS520U | 520A | 180x18 | 2 |
| | SNK 520-617 | 2220K | 22220K | H320 | U520 | TSNG 520 | TS520U | 520A | 180x12 | 2 |
| | SNK 520-617 | – | 23220K | H2320 | U520 | TSNG 520 | TS520U | 520A | 180x9.7 | 1 |
| | SNK 524-620 | – | 22320K | H2320 | U620 | TSNG 620 | TS620U | 524A | 215x13 | 1 |
| 100 | SNK 522-619 | 1222K | – | H222 | U522 | TSNG 522 | TS522U | 522A | 200x21 | 2 |
| | SNK 522-619 | 2222K | 22222K | H322 | U522 | TSNG 522 | TS522U | 522A | 200x13.5 | 2 |
| | SNK 522-619 | – | 23222K | H2322 | U522 | TSNG 522 | TS522U | 522A | 200x10 | 1 |
| 110 | SNK 524-620 | | 22224K | H3124 | U524 | TSNG 524 | TS524U | 524A | 215x14 | 2 |
| | SNK 524-620 | | 23224K | H2324 | U524 | TSNG 524 | TS524U | 524A | 215x10 | 1 |
| 115 | SNK 526 | | 22226K | H3126 | U526 | TSNG 526 | TS526U | 526A | 230x13 | 2 |
| | SNK 526 | | 23226K | H2326 | U526 | TSNG 526 | TS526U | 526A | 230x10 | 1 |
| 125 | SNK 528 | | 22228K | H3128 | U528 | TSNG 528 | TS528U | 528A | 250x15 | 2 |
| | SNK 528 | | 23228K | H2328 | U528 | TSNG 528 | TS528U | 528A | 250x10 | 1 |
| 135 | SNK 530 | | 22230K | H3130 | U530 | TSNG 530 | TS530U | 530A | 270x16.5 | 2 |
| | SNK 530 | | 23230K | H2330 | U530 | TSNG 530 | TS530U | 530A | 270x10 | 1 |
| 140 | SNK 532 | | 22232K | H3132 | U532 | TSNG 532 | TS532U | 532A | 290x17 | 2 |
| | SNK 532 | | 23232K | H2332 | U532 | TSNG 532 | TS532U | 532A | 290x10 | 1 |

* U-Lok seal, TSNG seal, TSNA Seal and TS-U seal are interchangeable.

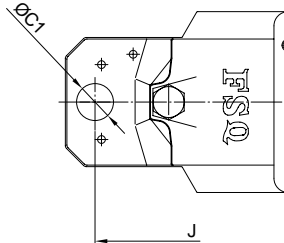


| Housing No. | Shaft Dia. | | Dimensions mm | | | | | | | | | | | | | | |
|-------------|------------|-----|---------------|-----|-----------|----------|---------|-----------|-----------|-------|----------|----|-----|-----|----|----|----|
| | d | d1 | L | b | f1 H13 | F H13 | D H7 | d2 H12 | d3 H12 | H | A h12 | G | E | B | v | u | S |
| SNK 205 | 25 | 30 | 67 | 46 | 5 | 25 | 52 | 36.5 | 44.5 | 74 | 40 | 19 | 130 | 165 | 20 | 15 | 10 |
| SNK 206-305 | 30 | 35 | 77 | 52 | 5 | 32 | 62 | 46.5 | 54.5 | 89 | 50 | 22 | 150 | 185 | 20 | 15 | 10 |
| SNK 207 | 35 | 45 | 82 | 52 | 5 | 34 | 72 | 56.5 | 64.5 | 93 | 50 | 22 | 150 | 185 | 20 | 15 | 10 |
| SNK 208-307 | 40 | 50 | 85 | 60 | 5 | 39 | 80 | 62 | 70.5 | 107 | 60 | 25 | 170 | 205 | 20 | 15 | 12 |
| SNK 209 | 45 | 55 | 85 | 60 | 5 | 30 | 85 | 67 | 75.5 | 109 | 60 | 25 | 170 | 205 | 20 | 15 | 12 |
| SNK 210 | 50 | 60 | 90 | 60 | 5 | 41 | 90 | 72 | 80.5 | 113 | 60 | 25 | 170 | 205 | 20 | 15 | 12 |
| SNK 211 | 55 | 65 | 95 | 70 | 5 | 44 | 100 | 77 | 85.5 | 127.5 | 70 | 28 | 210 | 255 | 24 | 18 | 16 |
| SNK 212 | 60 | 70 | 105 | 70 | 5 | 48 | 110 | 87 | 95.5 | 133 | 70 | 30 | 210 | 255 | 24 | 18 | 16 |
| SNK 213 | 65 | 75 | 110 | 80 | 5 | 51 | 120 | 92.5 | 101 | 148.5 | 80 | 30 | 230 | 275 | 24 | 18 | 16 |
| SNK 215 | 75 | 85 | 115 | 80 | 5 | 56 | 130 | 102.5 | 111 | 154.5 | 80 | 30 | 230 | 280 | 24 | 18 | 16 |
| SNK 216 | 80 | 90 | 120 | 90 | 5 | 58 | 140 | 108 | 116.5 | 175.5 | 95 | 32 | 260 | 315 | 28 | 22 | 20 |
| SNK 217 | 85 | 95 | 125 | 90 | 5 | 61 | 150 | 112 | 120.5 | 183 | 95 | 32 | 260 | 320 | 28 | 22 | 20 |
| SNK 218 | 90 | 100 | 140 | 100 | 5 | 65 | 160 | 120 | 128.5 | 193 | 100 | 35 | 290 | 345 | 28 | 22 | 20 |
| SNK 219 | 95 | 110 | 145 | 100 | 6 | 68 | 170 | 131 | 141 | 210 | 112 | 35 | 290 | 345 | 28 | 22 | 20 |
| SNK 220 | 100 | 115 | 160 | 110 | 6 | 70 | 180 | 137.5 | 147.5 | 215 | 112 | 40 | 320 | 380 | 32 | 26 | 24 |
| SNK 222 | 110 | 125 | 175 | 120 | 6 | 80 | 200 | 147.5 | 157.5 | 239 | 125 | 45 | 350 | 410 | 32 | 26 | 24 |
| SNK 224 | 120 | 135 | 185 | 120 | 6 | 86 | 215 | 157.5 | 167.5 | 271 | 140 | 45 | 350 | 410 | 32 | 26 | 24 |
| SNK 226 | 130 | 145 | 190 | 130 | 6 | 90 | 230 | 167.5 | 177.5 | 290 | 150 | 50 | 380 | 445 | 35 | 28 | 24 |
| SNK 228 | 140 | 155 | 205 | 150 | 6 | 98 | 250 | 177.5 | 187.5 | 302 | 150 | 50 | 420 | 500 | 42 | 35 | 30 |
| SNK 230 | 150 | 165 | 220 | 160 | 6 | 106 | 270 | 192.5 | 202.5 | 323 | 160 | 60 | 450 | 530 | 42 | 35 | 30 |
| SNK 232 | 160 | 175 | 235 | 160 | 6 | 114 | 290 | 202.5 | 212.5 | 344 | 170 | 60 | 470 | 550 | 42 | 35 | 30 |

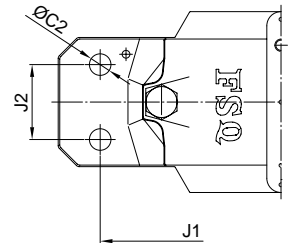
Type:SSNK



Type:2-Bolt
Suffix:H2

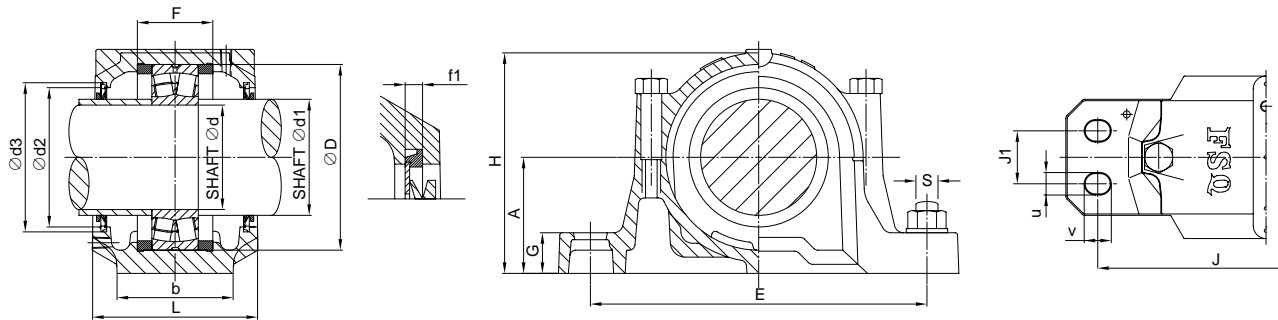


Type:4-Bolt
Suffix:H4



| Housing No. | Bearing No. | TSNA=VW+V-Ring | | | End Cover | Locating Ring | | 2-Bolt | | 4-Bolt | | |
|-------------|-------------|----------------|--------|--------|-----------|---------------|------|--------|----|--------|-----|----|
| | | TSNA | VW | V-RING | | Number | Q'ty | J | C1 | J1 | J2 | C2 |
| SNK 205 | 22205 | - | - | - | 506A | 52x3.5 | 2 | - | - | - | - | - |
| SNK 206-305 | 22206 | TSNA-306 | VW-306 | V-35 | 507A | 62x6 | 2 | - | - | - | - | - |
| SNK 207 | 22207 | TSNA-307 | VW-307 | V-45 | 509A | 72x5.5 | 2 | - | - | - | - | - |
| SNK 208-307 | 22208 | TSNA-308 | VW-308 | V-50 | 510A | 80x8 | 2 | 170 | 15 | - | - | - |
| SNK 209 | 22209 | TSNA-309 | VW-309 | V-55 | 511A | 85x3.5 | 2 | 170 | 15 | - | - | - |
| SNK 210 | 22210 | TSNA-310 | VW-310 | V-60 | 512A | 90x9 | 2 | 170 | 15 | - | - | - |
| SNK 211 | 22211 | TSNA-311 | VW-311 | V-65 | 513A | 100x9.5 | 2 | 210 | 18 | 200 | 40 | 15 |
| SNK 212 | 22212 | TSNA-312 | VW-312 | V-70 | 515A | 110x10 | 2 | 210 | 18 | 200 | 40 | 15 |
| SNK 213 | 22213 | TSNA-313 | VW-313 | V-75 | 516A | 120x10 | 2 | 230 | 18 | 220 | 48 | 15 |
| SNK 215 | 22215 | TSNA-315 | VW-315 | V-85 | 518A | 130x12.5 | 2 | 230 | 18 | 220 | 48 | 15 |
| SNK 216 | 22216 | TSNA-216 | VW-216 | V-90 | 216A | 140x12.5 | 2 | 260 | 22 | 252 | 52 | 18 |
| SNK 217 | 22217 | TSNA-217 | VW-217 | V-95 | 217A | 150x12.5 | 2 | 260 | 22 | 252 | 52 | 18 |
| SNK 218 | 22218 | TSNA-218 | VW-218 | V-100 | 218A | 160x12.5 | 2 | 290 | 22 | 280 | 58 | 18 |
| SNK 219 | 22219 | TSNA-219 | VW-219 | V-110 | 519A | 170x12.5 | 2 | 290 | 22 | 280 | 58 | 18 |
| SNK 220 | 22220 | TSNA-220 | VW-220 | V-120 | 520A | 180x12 | 2 | 320 | 26 | 300 | 66 | 18 |
| SNK 222 | 22222 | TSNA-222 | VW-222 | V-130 | 522A | 200x13.5 | 2 | 350 | 26 | 320 | 74 | 18 |
| SNK 224 | 22224 | TSNA-224 | VW-224 | V-140 | 524A | 215x14 | 2 | 350 | 26 | 330 | 74 | 18 |
| SNK 226 | 22226 | TSNA-226 | VW-226 | V-150 | 526A | 230x13 | 2 | 380 | 28 | 370 | 80 | 22 |
| SNK 228 | 22228 | TSNA-228 | VW-228 | V-160 | 528A | 250x15 | 2 | 420 | 35 | 400 | 92 | 26 |
| SNK 230 | 22230 | TSNA-230 | VW-230 | V-170 | 530A | 270x16.5 | 2 | 450 | 35 | 430 | 100 | 26 |
| SNK 232 | 22232 | TSNA-232 | VW-232 | V-180 | 532A | 290x17 | 2 | 470 | 35 | 450 | 100 | 26 |

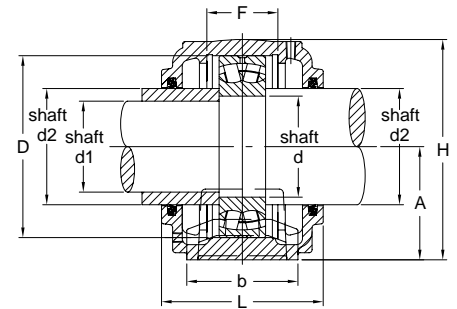
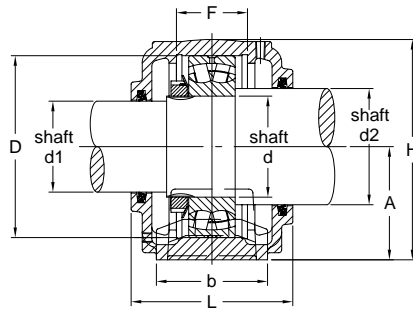
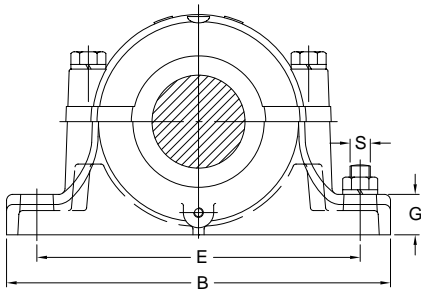
* For TSSNK, oval holes is a standard and round holes is an option



| Housing No. | L | b | f1 | | D | d2 | d3 | H | A | G | E | B | v | u | J | J1 | S | Weight (kg) |
|--------------|-----|-----|-----|-----|-----|-------|-------|-------|-----|----|-----|-----|----|----|-----|----|----|-------------|
| | | | H13 | H13 | | | | | | | | | | | | | | |
| FSNK 511-609 | 95 | 70 | 5 | 44 | 100 | 67 | 75.5 | 127.5 | 70 | 28 | 210 | 255 | 20 | 15 | 210 | 35 | 16 | 4.51 |
| FSNK 512-610 | 105 | 70 | 5 | 48 | 110 | 72 | 80.5 | 133 | 70 | 30 | 210 | 255 | 20 | 15 | 210 | 35 | 16 | 5.48 |
| FSNK 513-611 | 110 | 80 | 5 | 51 | 120 | 77 | 85.5 | 148.5 | 80 | 30 | 230 | 275 | 20 | 15 | 230 | 40 | 16 | 6.52 |
| FSNK 515-612 | 115 | 80 | 5 | 56 | 130 | 87 | 95.5 | 154.5 | 80 | 30 | 230 | 280 | 20 | 15 | 230 | 40 | 16 | 6.97 |
| FSNK 516-613 | 120 | 90 | 5 | 58 | 140 | 92.5 | 101 | 175.5 | 95 | 32 | 260 | 315 | 24 | 18 | 260 | 50 | 20 | 9.73 |
| FSNK 517 | 125 | 90 | 5 | 61 | 150 | 97.5 | 106 | 183 | 95 | 32 | 260 | 320 | 24 | 18 | 260 | 50 | 20 | 10.35 |
| FSNK 518-615 | 140 | 100 | 5 | 65 | 160 | 102.5 | 111 | 193 | 100 | 35 | 290 | 345 | 24 | 18 | 290 | 50 | 20 | 13.21 |
| FSNK 519-616 | 145 | 100 | 6 | 68 | 170 | 131 | 141 | 210 | 112 | 35 | 290 | 345 | 24 | 18 | 290 | 50 | 20 | 14.01 |
| FSNK 520-617 | 160 | 110 | 6 | 70 | 180 | 137.5 | 147.5 | 215 | 112 | 40 | 320 | 380 | 24 | 18 | 320 | 60 | 24 | 16.33 |
| FSNK 522-619 | 175 | 120 | 6 | 80 | 200 | 147.5 | 157.5 | 239 | 125 | 45 | 350 | 410 | 24 | 18 | 350 | 70 | 24 | 22.97 |
| FSNK 524-620 | 185 | 120 | 6 | 86 | 215 | 157.5 | 167.5 | 271 | 140 | 45 | 350 | 410 | 24 | 18 | 350 | 70 | 24 | 27.94 |
| FSNK 526 | 190 | 130 | 6 | 90 | 230 | 167.5 | 177.5 | 290 | 150 | 50 | 380 | 445 | 28 | 22 | 380 | 70 | 24 | 32.94 |
| FSNK 528 | 205 | 150 | 6 | 98 | 250 | 177.5 | 187.5 | 302 | 150 | 50 | 420 | 500 | 32 | 26 | 420 | 80 | 30 | 38.62 |
| FSNK 530 | 220 | 160 | 6 | 106 | 270 | 192.5 | 202.5 | 323 | 160 | 60 | 450 | 530 | 32 | 26 | 450 | 90 | 30 | 46.97 |
| FSNK 532 | 235 | 160 | 6 | 114 | 290 | 202.5 | 212.5 | 344 | 170 | 60 | 470 | 550 | 32 | 26 | 470 | 90 | 30 | 59.06 |

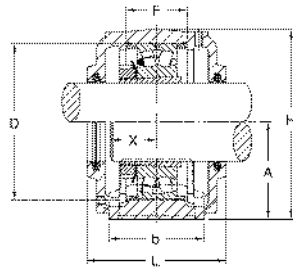
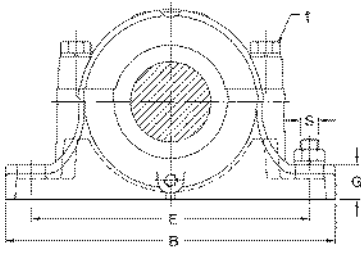
Type:SNZ200

Type:SN200

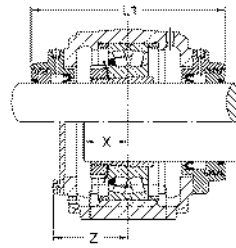


| Housing No. | Shaft Dia. | | | Dimensions mm | | | | | | | | | | Bearing No. | | Lock Nut | Lock Washer | ZF Seal | | Locating Ring | | End Cover for d1 |
|-------------|------------|-----|-----|---------------|-----|-----|----|-------|-------|-----|-----|-----|--------|-----------------|---------------------|----------|-------------|---------|------|--------------------------------|-------------|------------------|
| | d | d1 | d2 | D H7 | B | b | G | F H13 | A h13 | L | H | E | Bolt S | Self-Alig. Ball | Spherical Roller | | | d1 | d2 | Number | Q'ty | |
| SNZ 205 | 25 | 20 | 30 | 52 | 165 | 46 | 22 | 25 | 40 | 67 | 75 | 130 | M12 | 1205 2205 | - 22205 | AN05 | AW05 | ZF5 | ZF7 | 52x5 52x7 | 2 1 | 505NA |
| SNZ 206 | 30 | 25 | 35 | 62 | 185 | 52 | 22 | 30 | 50 | 77 | 90 | 150 | M12 | 1206 2206 | - 22206 | AN06 | AW06 | ZF6 | ZF8 | 62x7 62x10 | 2 1 | 506NA |
| SNZ 207 | 35 | 30 | 45 | 72 | 185 | 52 | 22 | 33 | 50 | 82 | 95 | 150 | M12 | 1207 2207 | - 22207 | AN07 | AW07 | ZF7 | ZF10 | 72x8 72x10 | 2 1 | 507NA |
| SNZ 208 | 40 | 35 | 50 | 80 | 205 | 60 | 25 | 33 | 60 | 85 | 110 | 170 | M12 | 1208 2208 | - 22208 | AN08 | AW08 | ZF8 | ZF11 | 80x7.5 80x10 | 2 1 | 508NA |
| SNZ 209 | 45 | 40 | 55 | 85 | 205 | 60 | 25 | 31 | 60 | 85 | 112 | 170 | M12 | 1209 2209 | - 22209 | AN09 | AW09 | ZF9 | ZF12 | 85x6 85x8 | 2 1 | 509NA |
| SSNZ 210 | 50 | 45 | 60 | 90 | 205 | 60 | 25 | 33 | 60 | 90 | 115 | 170 | M12 | 1210 2210 | - 22210 | AN10 | AW10 | ZF10 | ZF13 | 90x6.5 90x10 | 2 1 | 510NA |
| SSNZ 211 | 55 | 50 | 65 | 100 | 255 | 70 | 28 | 33 | 70 | 95 | 130 | 210 | M16 | 1211 2211 | - 22211 | AN11 | AW11 | ZF11 | ZF15 | 100x6 100x8 | 2 1 | 511NA |
| SSNZ 212 | 60 | 55 | 70 | 110 | 255 | 70 | 30 | 38 | 70 | 105 | 135 | 210 | M16 | 1212 2212 | - 22212 | AN12 | AW12 | ZF12 | ZF16 | 110x8 110x10 | 2 1 | 512NA |
| SSNZ 213 | 65 | 60 | 75 | 120 | 275 | 80 | 30 | 43 | 80 | 110 | 150 | 230 | M16 | 1213 2213 | - 22213 | AN13 | AW13 | ZF13 | ZF17 | 120x10 120x12 | 2 1 | 513NA |
| SSNZ 214 | 70 | 60 | 80 | 125 | 275 | 80 | 30 | 44 | 80 | 115 | 155 | 230 | M16 | 1214 2214 | - 22214 | AN14 | AW14 | ZF13 | ZF18 | 125x10 125x13 | 2 1 | 513NA |
| SSNZ 215 | 75 | 65 | 85 | 130 | 280 | 80 | 30 | 41 | 80 | 115 | 155 | 230 | M16 | 1215 2215 | - 22215 | AN15 | AW15 | ZF15 | ZF19 | 130x8 130x10 | 2 1 | 515NA |
| SSNZ 216 | 80 | 70 | 90 | 140 | 315 | 90 | 32 | 43 | 95 | 120 | 175 | 260 | M20 | 1216 2216 | - 22216 | AN16 | AW16 | ZF16 | ZF20 | 140x8.5 140x10 | 2 1 | 516NA |
| SSNZ 217 | 85 | 75 | 95 | 150 | 320 | 90 | 32 | 46 | 95 | 125 | 185 | 260 | M20 | 1217 2217 | - 22217 | AN17 | AW17 | ZF17 | ZF21 | 150x9 150x10 | 2 1 | 517NA |
| SSNZ 218 | 90 | 80 | 100 | 160 | 345 | 100 | 35 | 62.4 | 100 | 145 | 195 | 290 | M20 | 1218 2218 | - 22218 23218 | AN18 | AW18 | ZF18 | ZF22 | 160x16.2 160x11.2 160x10 | 2 2 1 | 518NA |
| SSNZ 219 | 95 | 85 | 110 | 170 | 345 | 100 | 35 | 53 | 112 | 140 | 210 | 290 | M20 | 1219 2219 | - 22219 | AN19 | AW19 | ZF19 | ZF24 | 170x10.5 170x10 | 2 1 | 519NA |
| SSNZ 220 | 100 | 90 | 115 | 180 | 380 | 110 | 40 | 70.3 | 112 | 160 | 218 | 320 | M24 | 2220 - | 22220 23220 | AN20 | AW20 | ZF20 | ZF26 | 180x12.1 180x10 | 2 1 | 520NA |
| SSNZ 222 | 110 | 100 | 125 | 200 | 410 | 120 | 45 | 80 | 125 | 175 | 240 | 350 | M24 | 2222 - | 22222 23222 | AN22 | AW22 | ZF22 | ZF28 | 200x13.5 200x10 | 2 1 | 522NA |
| SSNZ 224 | 120 | 110 | 135 | 215 | 410 | 120 | 45 | 86 | 140 | 185 | 270 | 350 | M24 | | 22224 23224 | AN24 | AW24 | ZF24 | ZF30 | 215x14 215x10 | 2 1 | 524NA |
| SSNZ 226 | 130 | 115 | 145 | 230 | 445 | 130 | 50 | 90 | 150 | 190 | 290 | 380 | M24 | | 22226 23226 | AN26 | AW26 | ZF26 | ZF33 | 230x13 230x10 | 2 1 | 526NA |
| SSNZ 228 | 140 | 125 | 155 | 250 | 500 | 150 | 50 | 98 | 150 | 205 | 305 | 420 | M30 | | 22228 23228 | AN28 | AW28 | ZF28 | ZF35 | 250x15 250x10 | 2 1 | 528NA |
| SSNZ 230 | 150 | 135 | 165 | 270 | 530 | 160 | 60 | 106 | 160 | 220 | 325 | 450 | M30 | | 22230 23230 | AN30 | AW30 | ZF30 | ZF37 | 270x16.5 270x10 | 2 1 | 530NA |
| SSNZ 232 | 160 | 140 | 175 | 290 | 550 | 160 | 60 | 114 | 170 | 235 | 345 | 470 | M30 | | 22232 23232 | AN32 | AW32 | ZF32 | ZF39 | 290x17 290x10 | 2 1 | 532NA |

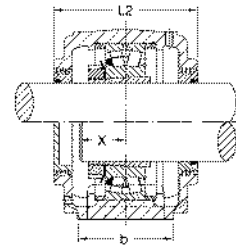
Notes: For stepped shaft bore, use SNZ 2xx/3xx.
For same shaft bore, use SN 2xx/3xx.



TYPE: SN

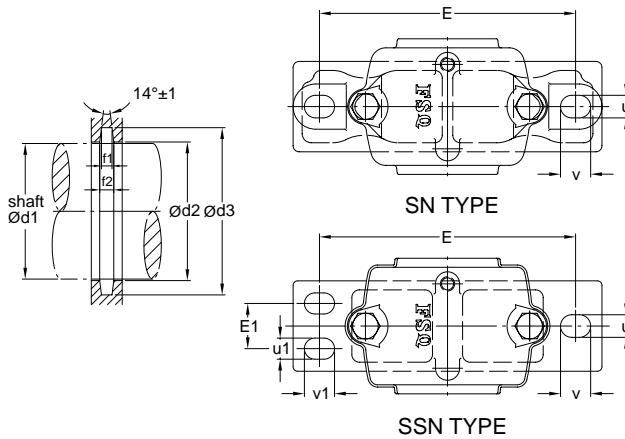


TYPE: SSN-TAC



TYPE: SSN-TS

| Housing No. | Nominal Dimensions (mm) | | | | | | | | | | | | | | | | |
|-------------|-------------------------|-------|---------|-----|-----|----|----------|----------|-----|-----|-----|----|-----|----|-----|--------------------|-----|
| | Shaft Dia. d | | D H7 | B | b | G | F H13 | A h13 | L | H | E | E1 | L1 | X | Z | d2 (H12) Metric | L2 |
| | Metric | Inch | | | | | | | | | | | | | | | |
| SN 505 | 20 | 3/4 | 52 | 165 | 46 | 22 | 25 | 40 | 67 | 75 | 130 | 25 | - | 22 | - | 21.5 | - |
| SN 506 | 25 | 1 | 62 | 185 | 52 | 22 | 30 | 50 | 77 | 90 | 150 | 25 | - | 22 | - | 26.5 | - |
| SN 507 | 30 | 1 1/8 | 72 | 185 | 52 | 22 | 33 | 50 | 82 | 95 | 150 | 25 | - | 24 | - | 31.5 | - |
| SN 508 | 35 | 1 1/4 | 80 | 205 | 60 | 25 | 33 | 60 | 85 | 110 | 170 | 30 | - | 26 | - | 36.5 | - |
| SN SSN 509 | 40 | 1 1/2 | 85 | 205 | 60 | 25 | 31 | 60 | 85 | 112 | 170 | 30 | - | 28 | - | 41.5 | 90 |
| SN SSN 510 | 45 | 1 3/4 | 90 | 205 | 60 | 25 | 33 | 60 | 90 | 115 | 170 | 30 | - | 28 | - | 46.5 | 95 |
| SN SSN 511 | 50 | 2 | 100 | 255 | 70 | 28 | 33 | 70 | 95 | 130 | 210 | 35 | 160 | 30 | 54 | 51.5 | 100 |
| SN SSN 512 | 55 | 2 1/8 | 110 | 255 | 70 | 30 | 38 | 70 | 105 | 135 | 210 | 35 | 172 | 32 | 62 | 56.5 | 110 |
| SN SSN 513 | 60 | 2 1/4 | 120 | 275 | 80 | 30 | 43 | 80 | 110 | 150 | 230 | 40 | 172 | 36 | 62 | 62 | 115 |
| SN 514 | 60 | 2 1/4 | 125 | 275 | 80 | 30 | 44 | 80 | 115 | 155 | 230 | 40 | - | 36 | - | 62 | 120 |
| SN SSN 515 | 65 | 2 1/2 | 130 | 280 | 80 | 30 | 41 | 80 | 115 | 155 | 230 | 40 | 182 | 38 | 68 | 67 | 120 |
| SN SSN 516 | 70 | 2 3/4 | 140 | 315 | 90 | 32 | 43 | 95 | 120 | 175 | 260 | 50 | 184 | 40 | 68 | 72 | 125 |
| SN SSN 517 | 75 | 3 | 150 | 320 | 90 | 32 | 46 | 95 | 125 | 185 | 260 | 50 | 184 | 42 | 70 | 77 | 130 |
| SN SSN 518 | 80 | 3 1/4 | 160 | 345 | 100 | 35 | 62.4 | 100 | 145 | 195 | 290 | 50 | 204 | 50 | 81 | 82 | 150 |
| SN SSN 519 | 85 | 3 1/4 | 170 | 345 | 100 | 35 | 53 | 112 | 140 | 210 | 290 | 50 | 208 | 46 | 80 | 87 | 152 |
| SN SSN 520 | 90 | 3 1/2 | 180 | 380 | 110 | 40 | 70.3 | 112 | 160 | 218 | 320 | 60 | 224 | 54 | 90 | 92 | 165 |
| SN SSN 522 | 100 | 4 | 200 | 410 | 120 | 45 | 80 | 125 | 175 | 240 | 350 | 70 | 232 | 60 | 92 | 102 | 180 |
| SN SSN 524 | 110 | 4 1/4 | 215 | 410 | 120 | 45 | 86 | 140 | 185 | 270 | 350 | 70 | 248 | 64 | 95 | 113 | 190 |
| SN SSN 526 | 115 | 4 1/2 | 230 | 445 | 130 | 50 | 90 | 150 | 190 | 290 | 380 | 70 | 268 | 64 | 100 | 118 | 195 |
| SN SSN 528 | 125 | 5 | 250 | 500 | 150 | 50 | 98 | 150 | 205 | 305 | 420 | 80 | 286 | 70 | 108 | 128 | 210 |
| SN SSN 530 | 135 | 5 1/4 | 270 | 530 | 160 | 60 | 106 | 160 | 220 | 325 | 450 | 90 | 304 | 76 | 113 | 138 | 225 |
| SN SSN 532 | 140 | 5 1/2 | 290 | 550 | 160 | 60 | 114 | 170 | 235 | 345 | 470 | 90 | 320 | 80 | 122 | 143 | 240 |
| SN 534 | 150 | 6 | 310 | 635 | 170 | 70 | 120 | 180 | 240 | 370 | 525 | - | - | 80 | - | 153 | - |



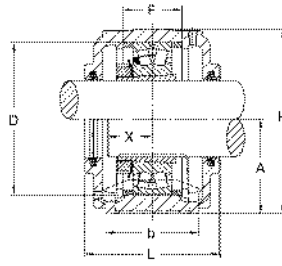
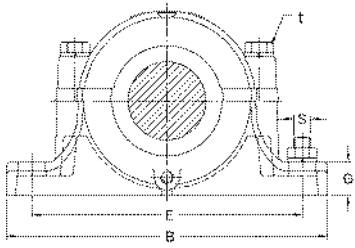
NOTES:

Foot of standard housing SSN type is solid without mounting holes or can be precast as 2-bolt (with prefix T) or 4-bolt mounting holes (with prefix F).

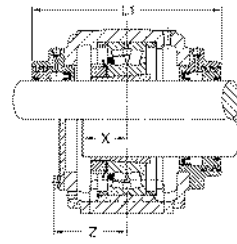
Taconite seal will be supplied as optional for perfect arrangement in severe operating conditions to prevent contamination from fine abrasive dust.

ZF rubber seals can be supplied upon request.

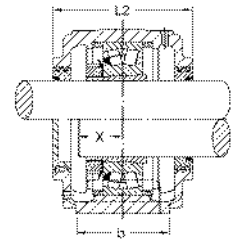
| d ₃ H12 | t | f ₁ H13 | f ₂ | 2-Bolt | | 4-Bolt | | S | | Weight (kg) | | Bearing No. | | Adapter Sleeve | | Locating Ring | | Felt Seal |
|-----------------------|-----|-----------------------|----------------|--------|----|----------------|----------------|--------|--------|-------------|------|---------------------|-----------------------|-----------------------|--------------------------|--------------------------------|-------------|-----------|
| | | | | u | v | u ₁ | v ₁ | 2-Bolt | 4-Bolt | SN5 | SSN5 | Self-Alig. Ball | Spherical Roller | Metric | Inch | Number | Q'ty | |
| 31 | M8 | 3 | 4.2 | 15 | 20 | 14 | 20 | M12 | M 8 | 1.5 | - | 1205K 2205K | - 22205K | H205 H305 | HE205 HE305 | 52x5 52x7 | 2 1 | FS505 |
| 38 | M8 | 4 | 5.4 | 15 | 20 | 14 | 20 | M12 | M10 | 1.74 | - | 1206K 2206K | - 22206K | H206 H306 | HE206 HE306 | 62x7 62x10 | 2 1 | FS506 |
| 43 | M10 | 4 | 5.4 | 15 | 20 | 14 | 20 | M12 | M10 | 1.9 | - | 1207K 2207K | - 22207K | H207 H307 | HS207 HS307 | 72x8 72x10 | 2 1 | FS507 |
| 48 | M10 | 4 | 5.4 | 15 | 20 | 14 | 20 | M12 | M10 | 2.63 | 3.2 | 1208K 2208K | - 22208K | H208 H308 | HE208 HE308 | 80x7.5 80x10 | 2 1 | FS508 |
| 53 | M10 | 4 | 5.4 | 15 | 20 | 14 | 20 | M12 | M10 | 2.64 | 3.7 | 1209K 2209K | - 22209K | H209 H309 | HE209 HE309 | 85x6 85x8 | 2 1 | FS509 |
| 58 | M10 | 4 | 5.4 | 15 | 20 | 14 | 20 | M12 | M10 | 2.8 | 3.8 | 1210K 2210K | - 22210K | H210 H310 | HE210 HE310 | 90x6.5 90x10 | 2 1 | FS510 |
| 67 | M12 | 5 | 6.9 | 18 | 23 | 16 | 23 | M16 | M12 | 4.32 | 6.2 | 1211K 2211K | - 22211K | H211 H311 | HE211 HE311 | 100x6 100x8 | 2 1 | FS511 |
| 72 | M12 | 5 | 6.9 | 18 | 23 | 16 | 23 | M16 | M12 | 4.99 | 6.5 | 1212K 2212K | - 22212K | H212 H312 | HS212 HS312 | 110x8 110x10 | 2 1 | FS512 |
| 77 | M12 | 5 | 6.8 | 18 | 23 | 16 | 24 | M16 | M12 | 5.64 | 8.3 | 1213K 2213K | - 22213K | H213 H313 | HE213 HE313 | 120x10 120x12 | 2 1 | FS513 |
| 77 | M12 | 5 | 6.8 | 18 | 23 | 16 | 26 | M16 | M12 | 7.0 | 8.96 | 1214K 2214K | - 22214K | - H314 | HE314 | - 125x13 | - 1 | FS514 |
| 82 | M12 | 5 | 6.8 | 18 | 23 | 16 | 26 | M16 | M12 | 6.19 | 9.0 | 1215K 2215K | - 22215K | H215 H315 | HE215 HE315 | 130x8 130x10 | 2 1 | FS515 |
| 89 | M16 | 6 | 8.1 | 22 | 27 | 19 | 28 | M20 | M16 | 8.17 | 12.1 | 1216K 2216K | - 22216K | H216 H316 | HE216 HE316 | 140x8.5 140x10 | 2 1 | FS516 |
| 94 | M16 | 6 | 8.1 | 22 | 27 | 19 | 28 | M20 | M16 | 9.37 | 12.2 | 1217K 2217K | - 22217K | H217 H317 | HE217 HE317 | 150x9 150x10 | 2 1 | FS517 |
| 99 | M16 | 6 | 8.1 | 22 | 27 | 20 | 30 | M20 | M16 | 11.5 | 15.2 | 1218K 2218K - | - 22218K 23218K | H218 H318 H2318 | HE218 HE318 HE2318 | 160x16.2 160x11.2 160x10 | 2 2 1 | FS518 |
| 104 | M16 | 6 | 8.1 | 22 | 27 | 20 | 30 | M20 | M16 | 13.5 | 17.7 | 1219K - | - 22219K | H219 H319 | HE219 HE319 | 170x10.5 170x10 | 2 1 | FS519 |
| 111 | M20 | 7 | 9.3 | 26 | 32 | 23 | 32 | M24 | M16 | 16.3 | 20.5 | 2220K - | 22220K 23220K | H320 H2320 | HE320 HE2320 | 180x12.1 180x10 | 2 1 | FS520 |
| 125 | M20 | 8 | 10.8 | 26 | 32 | 23 | 32 | M24 | M16 | 25.1 | 29.2 | 2222K - | 22222K 23222K | H322 H2322 | HE322 HE2322 | 200x13.5 200x10 | 2 1 | FS522 |
| 135 | M20 | 8 | 10.7 | 26 | 32 | 23 | 32 | M24 | M16 | 27.2 | 33 | - - | 22224K 23224K | H3124 H2324 | HE3124 HE2324 | 215x14 215x10 | 2 1 | FS524 |
| 140 | M24 | 8 | 10.7 | 28 | 36 | 24 | 36 | M24 | M20 | 35.2 | 40.9 | - - | 22226K 23226K | H3126 H2326 | HE3126 HE2326 | 230x13 230x10 | 2 1 | FS526 |
| 154 | M24 | 9 | 12.2 | 33 | 42 | 28 | 42 | M30 | M24 | 43.7 | 48.6 | - - | 22228K 23228K | H3128 H2328 | HE3128 HE2328 | 250x15 250x10 | 2 1 | FS528 |
| 164 | M24 | 9 | 12.2 | 33 | 42 | 28 | 42 | M30 | M24 | 45.3 | 56.2 | - - | 22230K 23230K | H3130 H2330 | HE3130 HE2330 | 270x16.5 270x10 | 2 1 | FS530 |
| 173 | M24 | 10 | 13.7 | 33 | 42 | 28 | 42 | M30 | M24 | 50.75 | 68.5 | - - | 22232K 23232K | H3132 H2332 | HE3132 HE2332 | 290x17 290x10 | 2 1 | FS532 |
| 183 | M24 | 10 | 13.7 | 34 | 44 | 28 | 42 | M30 | M24 | 73.6 | - | - - | 22234K 23234K | H3134 H2334 | HE3134 HE2334 | 310x17 310x10 | 2 1 | FS534 |



TYPE: SN

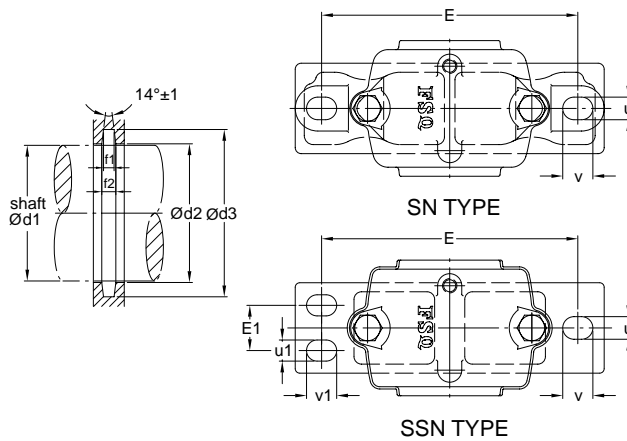


TYPE: SSN-TAC



TYPE: SSN-TS

| Housing No. | Nominal Dimensions (mm) | | | | | | | | | | | | | | | | |
|-------------|-------------------------|-------|---------|-----|-----|----|----------|----------|-----|-----|-----|-----|-----|----|--------------------|-----------|-----|
| | Shaft Dia. d | | D H7 | B | b | G | F H13 | A h13 | L | H | E | E1 | L1 | X | d2 (H12) Metric | d3 H12 | L2 |
| | Metric | Inch | | | | | | | | | | | | | | | |
| SN 605 | 20 | 3/4 | 62 | 185 | 52 | 22 | 34 | 50 | 80 | 90 | 150 | 25 | - | 27 | 21.5 | 31 | - |
| SN 606 | 25 | 1 | 72 | 185 | 52 | 22 | 37 | 50 | 82 | 95 | 150 | 25 | - | 27 | 26.5 | 38 | - |
| SN 607 | 30 | 1 1/8 | 80 | 205 | 60 | 25 | 41 | 60 | 90 | 110 | 170 | 30 | - | 32 | 31.5 | 43 | - |
| SN 608 | 35 | 1 1/4 | 90 | 205 | 60 | 25 | 43 | 60 | 95 | 115 | 170 | 30 | - | 34 | 36.5 | 48 | - |
| SN SSN 609 | 40 | 1 1/2 | 100 | 255 | 70 | 28 | 46 | 70 | 105 | 130 | 210 | 35 | - | 36 | 41.5 | 53 | 110 |
| SN SSN 610 | 45 | 1 3/4 | 110 | 255 | 70 | 30 | 50 | 70 | 115 | 135 | 210 | 35 | - | 39 | 46.5 | 58 | 120 |
| SN SSN 611 | 50 | 2 | 120 | 275 | 80 | 30 | 53 | 80 | 120 | 150 | 230 | 40 | 185 | 40 | 51.5 | 67 | 125 |
| SN SSN 612 | 55 | 2 1/8 | 130 | 280 | 80 | 30 | 56 | 80 | 125 | 155 | 230 | 40 | 185 | 44 | 56.5 | 72 | 130 |
| SN SSN 613 | 60 | 2 1/4 | 140 | 315 | 90 | 32 | 58 | 95 | 130 | 175 | 260 | 50 | 200 | 46 | 62 | 77 | 135 |
| SN SSN 614 | 60 | 2 1/4 | 150 | 320 | 90 | 32 | 61 | 95 | 130 | 185 | 260 | 50 | 200 | 46 | 62 | 77 | 135 |
| SN SSN 615 | 65 | 2 1/2 | 160 | 345 | 100 | 35 | 65 | 100 | 140 | 195 | 290 | 50 | 210 | 51 | 67 | 82 | 145 |
| SN SSN 616 | 70 | 2 3/4 | 170 | 345 | 100 | 35 | 68 | 112 | 145 | 212 | 290 | 50 | 210 | 52 | 72 | 89 | 150 |
| SN SSN 617 | 75 | 3 | 180 | 380 | 110 | 40 | 70 | 112 | 155 | 223 | 320 | 60 | 220 | 56 | 77 | 94 | 160 |
| SN SSN 618 | 80 | 3 1/4 | 190 | 380 | 110 | 40 | 74 | 112 | 160 | 230 | 320 | 60 | 225 | 58 | 82 | 99 | 165 |
| SN SSN 619 | 85 | 3 1/4 | 200 | 410 | 120 | 45 | 77 | 125 | 170 | 250 | 350 | 70 | 235 | 60 | 87 | 104 | 180 |
| SN SSN 620 | 90 | 3 1/2 | 215 | 410 | 120 | 45 | 83 | 140 | 175 | 270 | 350 | 70 | 240 | 64 | 92 | 111 | 180 |
| SN SSN 622 | 100 | 4 | 240 | 450 | 130 | 50 | 90 | 150 | 190 | 300 | 390 | 70 | 258 | 69 | 102 | 125 | 195 |
| SN SSN 624 | 110 | 4 1/4 | 260 | 530 | 160 | 60 | 96 | 160 | 205 | 320 | 450 | 90 | 280 | 73 | 113 | 135 | 210 |
| SN SSN 626 | 115 | 4 1/2 | 280 | 530 | 160 | 60 | 103 | 170 | 215 | 340 | 470 | 90 | 300 | 77 | 118 | 140 | 220 |
| SN SSN 628 | 125 | 5 | 300 | 610 | 170 | 65 | 112 | 180 | 235 | 365 | 520 | 90 | 320 | 83 | 128 | 154 | 240 |
| SN SSN 630 | 135 | 5 1/4 | 320 | 650 | 180 | 65 | 118 | 190 | 245 | 385 | 560 | 90 | 340 | 88 | 138 | 164 | 250 |
| SN SSN 632 | 140 | 5 1/2 | 340 | 680 | 190 | 70 | 124 | 200 | 255 | 405 | 580 | 100 | 350 | 93 | 143 | 173 | 260 |



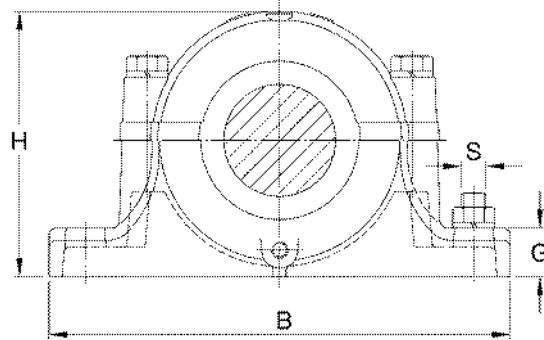
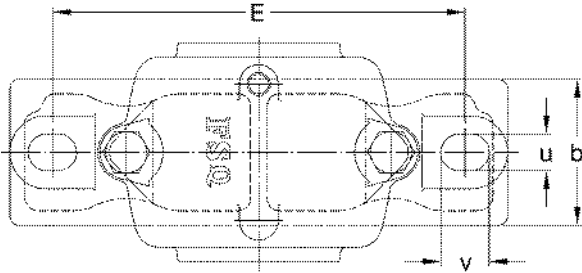
NOTES:

Foot of standard housing SSN type is solid without mounting holes or can be precast as 2-bolt (with prefix T) or 4-bolt mounting holes (with prefix F).

Taconite seal will be supplied as optional for perfect arrangement in severe operating conditions to prevent contamination from fine abrasive dust.

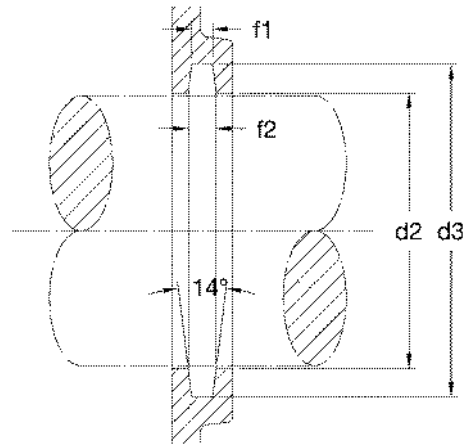
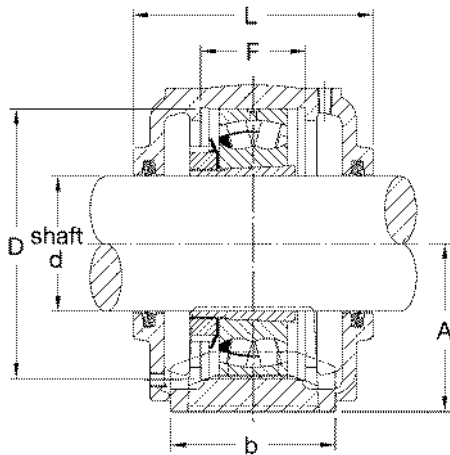
ZF rubber seals can be supplied upon request.

| t | f1 H13 | f2 | 2-Bolt | | 4-Bolt | | S | | Weight (kg) | | Bearing No. | | Adapter Sleeve | | Locating Ring | | Felt Seal |
|-----|-----------|------|--------|----|--------|----|--------|--------|-------------|------|-----------------|------------------|----------------|-----------------|--------------------|--------|-----------|
| | | | u | v | u1 | v1 | 2 Bolt | 4 Bolt | SN6 | SSN6 | Self-Alig. Ball | Spherical Roller | Metric | Inch | Number | Q'ty | |
| M8 | 3 | 4.2 | 15 | 20 | 14 | 20 | M12 | M10 | 2.11 | - | 1305K 2305K | - | H305 H2305 | HE305 HE2305 | 62x8.5 62x10 | 2 1 | FS605 |
| M10 | 4 | 5.4 | 15 | 20 | 14 | 20 | M12 | M10 | 2.09 | - | 1306K 2306K | - | H306 H2306 | HE306 HE2306 | 72x9 72x10 | 2 1 | FS606 |
| M10 | 4 | 5.4 | 15 | 20 | 14 | 20 | M12 | M10 | 3.4 | - | 1307K 2307K | - | H307 H2307 | HE307 HE2307 | 80x10 80x10 | 2 1 | FS607 |
| M10 | 4 | 5.4 | 15 | 20 | 14 | 20 | M12 | M10 | 3.6 | - | 1308K 2308K | 21308K 22308K | H308 H2308 | HE308 HE2308 | 90x10 90x10 | 2 1 | FS608 |
| M12 | 4 | 5.4 | 18 | 23 | 16 | 23 | M16 | M12 | 5.3 | 6.8 | 1309K 2309K | 21309K 22309K | H309 H2309 | HE309 HE2309 | 100x10.5 100x10 | 2 1 | FS609 |
| M12 | 4 | 5.4 | 18 | 23 | 16 | 23 | M16 | M12 | 5.5 | 6.8 | 1310K 2310K | 21310K 22310K | H310 H2310 | HE310 HE2310 | 110x11.5 110x10 | 2 1 | FS610 |
| M12 | 5 | 6.9 | 18 | 23 | 16 | 23 | M16 | M12 | 6.9 | 9.0 | 1311K 2311K | 21311K 22311K | H311 H2311 | HE311 HE2311 | 120x12 120x10 | 2 1 | FS611 |
| M12 | 5 | 6.9 | 18 | 23 | 16 | 23 | M16 | M12 | 8.8 | 10.5 | 1312K 2312K | 21312K 22312K | H312 H2312 | HE312 HE2312 | 130x12.5 130x10 | 2 1 | FS612 |
| M16 | 5 | 6.8 | 22 | 27 | 16 | 23 | M20 | M12 | 9.8 | 12.4 | 1313K 2313K | 21313K 22313K | H313 H2313 | HE313 HE2313 | 140x12.5 140x10 | 2 1 | FS613 |
| M16 | 5 | 6.8 | 22 | 27 | 18 | 23 | M20 | M16 | 11.5 | 14.6 | 1314K 2314K | 21314K 22314K | H314 H2314 | HE314 HE2314 | 150x13 150x10 | 2 1 | FS614 |
| M16 | 5 | 6.8 | 22 | 27 | 20 | 30 | M20 | M16 | 13.0 | 16.4 | 1315K 2315K | 21315K 22315K | H315 H2315 | HE315 HE2315 | 160x14 160x10 | 2 1 | FS615 |
| M16 | 6 | 8.1 | 26 | 32 | 20 | 30 | M20 | M16 | 15.5 | 19.7 | 1316K 2316K | 21316K 22316K | H316 H2316 | HE316 HE2316 | 170x14.5 170x10 | 2 1 | FS616 |
| M20 | 6 | 8.1 | 26 | 32 | 20 | 30 | M24 | M16 | 16.3 | 20.7 | 1317K 2317K | 21317K 22317K | H317 H2317 | HE317 HE2317 | 180x14.5 180x10 | 2 1 | FS617 |
| M20 | 6 | 8.1 | 26 | 32 | 20 | 30 | M24 | M16 | 20.0 | 24 | 1318K 2318K | 21318K 22318K | H318 H2318 | HE318 HE2318 | 190x15.5 190x10 | 2 1 | FS618 |
| M20 | 6 | 8.1 | 26 | 32 | 20 | 30 | M24 | M16 | 28.0 | 29.7 | 1319K 2319K | 21319K 22319K | H319 H2319 | HE319 HE2319 | 200x16 200x10 | 2 1 | FS619 |
| M20 | 7 | 9.3 | 26 | 32 | 20 | 30 | M24 | M16 | 30.5 | 37.1 | 1320K 2320K | 21320K 22320K | H320 H2320 | HE320 HE2320 | 215x18 215x10 | 2 1 | FS620 |
| M20 | 8 | 10.0 | 28 | 36 | 20 | 30 | M24 | M16 | 42 | 49.2 | 1322K 2322K | 21322K 22322K | H322 H2322 | HE322 HE2322 | 240x20 240x10 | 2 1 | FS622 |
| M24 | 8 | 10.7 | 33 | 42 | 24 | 36 | M30 | M20 | 59 | 72 | - | 22324K | H2324 | HE2324 | 260x10 | 1 | FS624 |
| M24 | 8 | 10.7 | 33 | 42 | 24 | 36 | M30 | M20 | 61.5 | 80.9 | - | 22326K | H2326 | HE2326 | 280x10 | 1 | FS626 |
| M30 | 9 | 12.2 | 35 | 45 | 24 | 36 | M30 | M20 | 88 | 105 | - | 22328K | H2328 | HE2328 | 300x10 | 1 | FS628 |
| M30 | 9 | 12.2 | 35 | 45 | 24 | 36 | M30 | M20 | 89 | 115 | - | 22330K | H2330 | HE2330 | 320x10 | 1 | FS630 |
| M30 | 10 | 13.7 | 40 | 50 | 28 | 42 | M36 | M24 | 127 | 145 | - | 22332K | H2332 | HE2332 | 340x10 | 1 | FS632 |



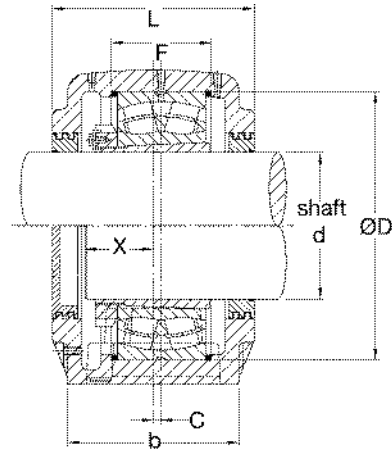
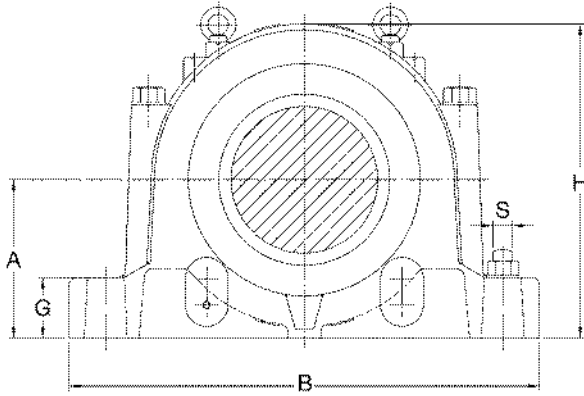
| Housing No. | Dimensions mm | | | | | | | | | | | | | | |
|-------------|---------------|------|-----|-----|----|-------|-------|-----|-----|-----|----|----|-----|--------|--------|
| | d | D H7 | B | b | G | F H13 | A h13 | L | H | E | u | v | t | d2 H12 | d3 H12 |
| SN 3024 | 110 | 180 | 380 | 110 | 40 | 56 | 112 | 150 | 217 | 320 | 26 | 35 | M20 | 113 | 135 |
| SN 3026 | 115 | 200 | 410 | 120 | 45 | 62 | 125 | 160 | 240 | 350 | 26 | 35 | M20 | 118 | 140 |
| SN 3028 | 125 | 210 | 410 | 120 | 45 | 63 | 140 | 170 | 260 | 350 | 26 | 35 | M20 | 128 | 154 |
| SN 3030 | 135 | 225 | 445 | 130 | 50 | 66 | 150 | 175 | 283 | 380 | 28 | 38 | M24 | 138 | 164 |
| SN 3032 | 140 | 240 | 460 | 130 | 50 | 70 | 150 | 190 | 290 | 390 | 28 | 38 | M24 | 143 | 173 |
| SN 3034 | 150 | 260 | 530 | 160 | 60 | 77 | 160 | 200 | 310 | 450 | 33 | 42 | M24 | 153 | 183 |
| SN 3036 | 160 | 280 | 550 | 160 | 60 | 84 | 170 | 210 | 330 | 470 | 33 | 42 | M24 | 163 | 193 |
| SN 3038 | 170 | 290 | 550 | 160 | 60 | 85 | 170 | 210 | 335 | 470 | 33 | 42 | M24 | 173 | 203 |
| SN 3040 | 180 | 310 | 610 | 170 | 60 | 92 | 180 | 235 | 355 | 515 | 33 | 42 | M24 | 183 | 213 |
| SN 3044 | 200 | 340 | 690 | 190 | 70 | 100 | 200 | 255 | 405 | 580 | 40 | 52 | M30 | 203 | 240 |

| | | | | | | | | | | | | | | | |
|---------|-----|-----|-----|-----|----|-----|-----|-----|-----|-----|----|----|-----|-----|-----|
| SN 3122 | 100 | 180 | 380 | 110 | 40 | 66 | 112 | 155 | 217 | 320 | 26 | 35 | M20 | 102 | 125 |
| SN 3124 | 110 | 200 | 410 | 120 | 45 | 72 | 125 | 165 | 240 | 350 | 26 | 35 | M20 | 113 | 135 |
| SN 3126 | 115 | 210 | 410 | 120 | 45 | 74 | 140 | 170 | 260 | 350 | 26 | 35 | M20 | 118 | 140 |
| SN 3128 | 125 | 225 | 445 | 130 | 50 | 78 | 150 | 180 | 283 | 380 | 28 | 38 | M24 | 128 | 154 |
| SN 3130 | 135 | 250 | 500 | 150 | 50 | 90 | 150 | 200 | 295 | 420 | 33 | 42 | M24 | 138 | 164 |
| SN 3132 | 140 | 270 | 530 | 160 | 60 | 96 | 160 | 215 | 315 | 450 | 33 | 42 | M24 | 143 | 173 |
| SN 3134 | 150 | 280 | 550 | 160 | 60 | 98 | 170 | 220 | 330 | 470 | 33 | 42 | M24 | 153 | 183 |
| SN 3136 | 160 | 300 | 610 | 170 | 70 | 106 | 180 | 230 | 355 | 520 | 33 | 42 | M30 | 163 | 193 |
| SN 3138 | 170 | 320 | 650 | 180 | 70 | 114 | 190 | 240 | 375 | 560 | 33 | 42 | M30 | 173 | 203 |

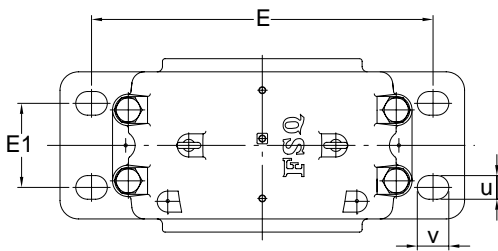
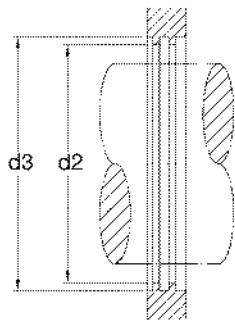


| f1 | f2 | ZF Seal | Bolt S | WT kg | Bearing No. | Adapter Sleeve | Felt Seal | Locating Ring | | Housing No. |
|----|------|---------|--------|-------|-------------|----------------|-----------|---------------|------|---------------|
| | | | | | | | | Number | Q'ty | |
| 8 | 10.7 | ZF24 | M24 | 17 | 23024K | H3024 | FS524 | SR180x10 | 1 | SN3024 |
| 8 | 10.7 | ZF26 | M24 | 20 | 23026K | H3026 | FS526 | SR200x10 | 1 | SN3026 |
| 9 | 12.2 | ZF28 | M24 | 25 | 23028K | H3028 | FS528 | SR210x10 | 1 | SN3028 |
| 9 | 12.2 | ZF30 | M24 | 30 | 23030K | H3030 | FS530 | SR225x10 | 1 | SN3030 |
| 10 | 13.7 | ZF32 | M24 | 36 | 23032K | H3032 | FS532 | SR240x10 | 1 | SN3032 |
| 10 | 13.7 | ZF34 | M30 | 51 | 23034K | H3034 | FS534 | SR260x10 | 1 | SN3034 |
| 10 | 13.7 | ZF36 | M30 | 54 | 23036K | H3036 | FS536 | SR280x10 | 1 | SN3036 |
| 10 | 13.7 | ZF38 | M30 | 54 | 23038K | H3038 | FS538 | SR290x10 | 1 | SN3038 |
| 10 | 13.7 | ZF40 | M30 | 61 | 23040K | H3040 | FS540 | SR310x10 | 1 | SN3040 |
| 11 | 15.6 | ZF44 | M36 | 88 | 23044K | H3044 | FS544 | SR340x10 | 1 | SN3044 |

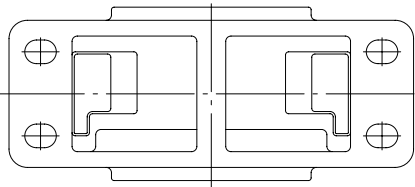
| | | | | | | | | | | |
|----|------|------|-----|----|--------|-------|-------|----------|---|---------------|
| 8 | 10.8 | ZF22 | M24 | 18 | 23122K | H3122 | FS522 | SR180x10 | 1 | SN3122 |
| 8 | 10.7 | ZF24 | M24 | 21 | 23124K | H3124 | FS524 | SR200x10 | 1 | SN3124 |
| 8 | 10.7 | ZF26 | M24 | 26 | 23126K | H3126 | FS526 | SR210x10 | 1 | SN3126 |
| 9 | 12.2 | ZF28 | M24 | 32 | 23128K | H3128 | FS528 | SR225x10 | 1 | SN3128 |
| 9 | 12.2 | ZF30 | M30 | 40 | 23130K | H3130 | FS530 | SR250x10 | 1 | SN3130 |
| 10 | 13.7 | ZF32 | M30 | 50 | 23132K | H3132 | FS532 | SR270x10 | 1 | SN3132 |
| 10 | 13.7 | ZF34 | M30 | 57 | 23134K | H3134 | FS534 | SR280x10 | 1 | SN3134 |
| 10 | 13.7 | ZF36 | M30 | 70 | 23136K | H3136 | FS536 | SR300x10 | 1 | SN3136 |
| 10 | 13.7 | ZF38 | M30 | 85 | 23138K | H3138 | FS538 | SR320x10 | 1 | SN3138 |



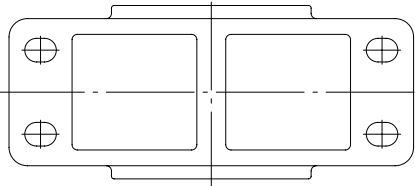
Labyrinth (TRIPLE) "TS" Seal
Standard on SD Housings



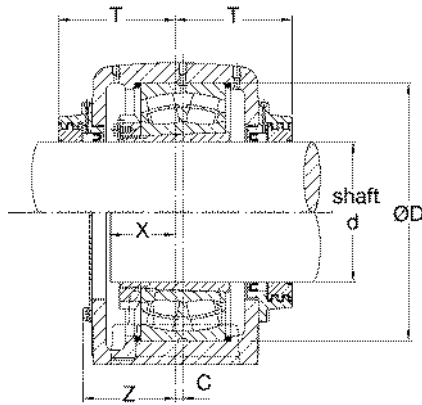
SD Type



SSD Type



| Housing No. | Shaft Dia. d | | D H7 | d2 H12 | d3 H12 | A h13 | B | F H13 |
|-------------|--------------|-------|------|--------|--------|-------|------|-------|
| | Metric | Inch | | | | | | |
| SD 3134 | 150 | 6 | 280 | 187 | 197 | 170 | 510 | 108 |
| SD 3136 | 160 | 6 1/2 | 300 | 195 | 205 | 180 | 530 | 116 |
| SD 3138 | 170 | 6 3/4 | 320 | 217 | 230 | 190 | 560 | 124 |
| SD 3140 | 180 | 7 | 340 | 222 | 237 | 210 | 610 | 132 |
| SD 3144 | 200 | 8 | 370 | 246 | 265 | 220 | 640 | 140 |
| SD 3148 | 220 | 9 | 400 | 265 | 285 | 240 | 700 | 148 |
| SD 3152 | 240 | 9 1/2 | 440 | 285 | 305 | 260 | 770 | 164 |
| SD 3156 | 260 | 10 | 460 | 307 | 327 | 280 | 790 | 166 |
| SD 3160 | 280 | 11 | 500 | 325 | 345 | 300 | 830 | 180 |
| SD 3164 | 300 | | 540 | 345 | 365 | 320 | 880 | 196 |
| SD 3168 | 320 | | 580 | 368 | 390 | 340 | 965 | 210 |
| SD 3172 | 340 | | 600 | 388 | 408 | 360 | 1040 | 212 |
| SD 3176 | 360 | | 620 | 408 | 428 | 380 | 1120 | 214 |
| SD 3180 | 380 | | 650 | 428 | 448 | 400 | 1245 | 220 |

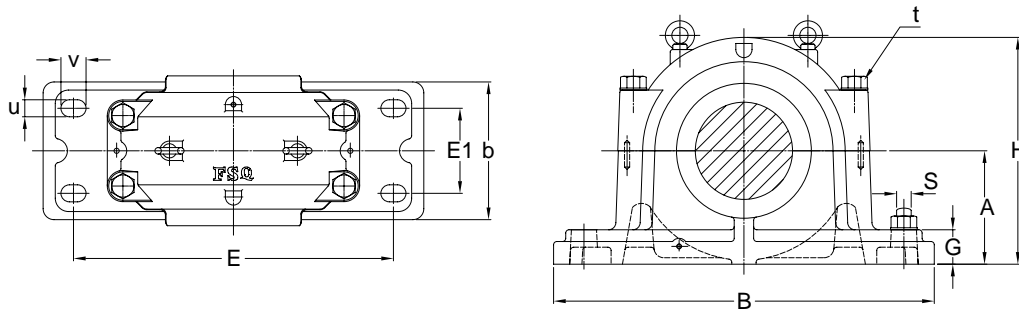


TACONITE TYPE "TAC" Seal

Plummer blocks of series SD 31 TS are used for large spherical roller bearings of Series 231xx CK with adapter sleeves. They are equipped with two labyrinth sealing collars having a push fit on the shaft. A rubber O-ring is fitted between the collar and shaft to ensure rotating together.

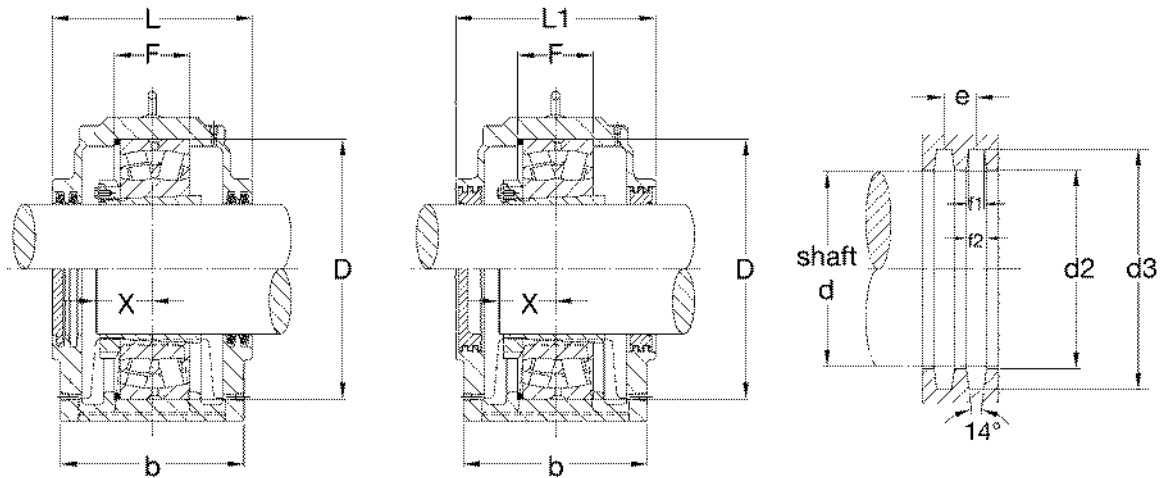
Special bosses are provided on the lower half of the housing to allow easy modification for oil lubrication. The bosses can be drilled and tapped to take an oil level gauge and drain plug. An oil circulating system can also be connected. The housings can carry very heavy loads and are designed for heavy duty applications. In severe condition, taconite seal is available to exclude fine abrasive dust and to retain lubricant.

| Dimensions mm | | | | | | | | | | | | | Bolt Dia | Spherical Roller Bearing | Adapter Sleeve | | Labyrinth Seal | | Taconite Seal | | Weight | Locating Ring | |
|---------------|-----|-----|-----|-----|----|-----|-----|-----|-----|----|----|------|----------|--------------------------|----------------|--------|----------------|-------|---------------|------|--------|---------------|--|
| E | b | G | H | L | C | E1 | X | T | Z | U | V | Seal | | | | | End Cover | Seal | End Cover | kg | | | |
| | | | | | | | | | | | | | | | S | Metric | Inch | | | | | | |
| 430 | 180 | 70 | 335 | 230 | 14 | 100 | 76 | 154 | 120 | 28 | 35 | M24 | 23134K | H3134 | HE3134 | TS34 | TSA34 | TAC34 | P34 | 61.5 | 280x10 | 2 | |
| 450 | 190 | 75 | 355 | 240 | 15 | 110 | 81 | 159 | 125 | 30 | 38 | M24 | 23136K | H3136 | HE3136 | TS36 | TSA36 | TAC36 | P36 | 72 | 300x10 | 2 | |
| 480 | 210 | 80 | 375 | 260 | 10 | 120 | 86 | 168 | 125 | 35 | 48 | M24 | 23138K | H3138 | HE3138 | TS38 | TSA38 | TAC38 | P38 | 84 | 320x10 | 2 | |
| 510 | 230 | 85 | 410 | 280 | 10 | 130 | 91 | 178 | 135 | 35 | 42 | M30 | 23140K | H3140 | HE3140 | TS40 | TSA40 | TAC40 | P40 | 113 | 340x10 | 2 | |
| 540 | 240 | 90 | 435 | 290 | 12 | 140 | 96 | 184 | 140 | 36 | 46 | M30 | 23144K | H3144 | | TS44 | TSA44 | TAC44 | P44 | 128 | 370x10 | 2 | |
| 600 | 260 | 95 | 475 | 310 | 12 | 150 | 102 | 194 | 150 | 38 | 46 | M30 | 23148K | H3148 | | TS48 | TSA48 | TAC48 | P48 | 166 | 400x10 | 2 | |
| 650 | 280 | 100 | 515 | 330 | 13 | 160 | 112 | 200 | 160 | 45 | 60 | M36 | 23152K | H3152 | | TS52 | TSA52 | TAC52 | P52 | 198 | 440x10 | 2 | |
| 670 | 280 | 105 | 550 | 320 | 16 | 160 | 115 | 200 | 160 | 45 | 60 | M36 | 23156K | H3156 | | TS56 | TSA56 | TAC56 | P56 | 232 | 460x10 | 2 | |
| 710 | 310 | 110 | 590 | 350 | 22 | 190 | 124 | 213 | 172 | 45 | 64 | M36 | 23160K | H3160 | | TS60 | TSA60 | TAC60 | P60 | 279 | 500x10 | 2 | |
| 750 | 330 | 115 | 630 | 370 | 23 | 200 | 135 | 224 | 187 | 45 | 72 | M36 | 23164K | H3164 | | TS64 | TSA64 | TAC64 | P64 | 328 | 540x10 | 2 | |
| 840 | 380 | 120 | 670 | 390 | 25 | 240 | 155 | 248 | 207 | 52 | 70 | M36 | 23168K | H3168 | | TS68 | TSA68 | TAC68 | P68 | 420 | 580x10 | 2 | |
| 890 | 390 | 130 | 720 | 400 | 22 | 255 | 159 | 254 | 215 | 60 | 77 | M48 | 23172K | H3172 | | TS72 | TSA72 | TAC72 | P72 | 584 | 600x10 | 2 | |
| 980 | 400 | 135 | 750 | 405 | 22 | 255 | 162 | 256 | 220 | 68 | 88 | M56 | 23176K | H3176 | | TS76 | TSA76 | TAC76 | P76 | 644 | 620x10 | 2 | |
| 1050 | 420 | 140 | 790 | 425 | 22 | 270 | 167 | 267 | 232 | 75 | 96 | M64 | 23180K | H3180 | | TS80 | TSA80 | TAC80 | P80 | 740 | 650x10 | 2 | |



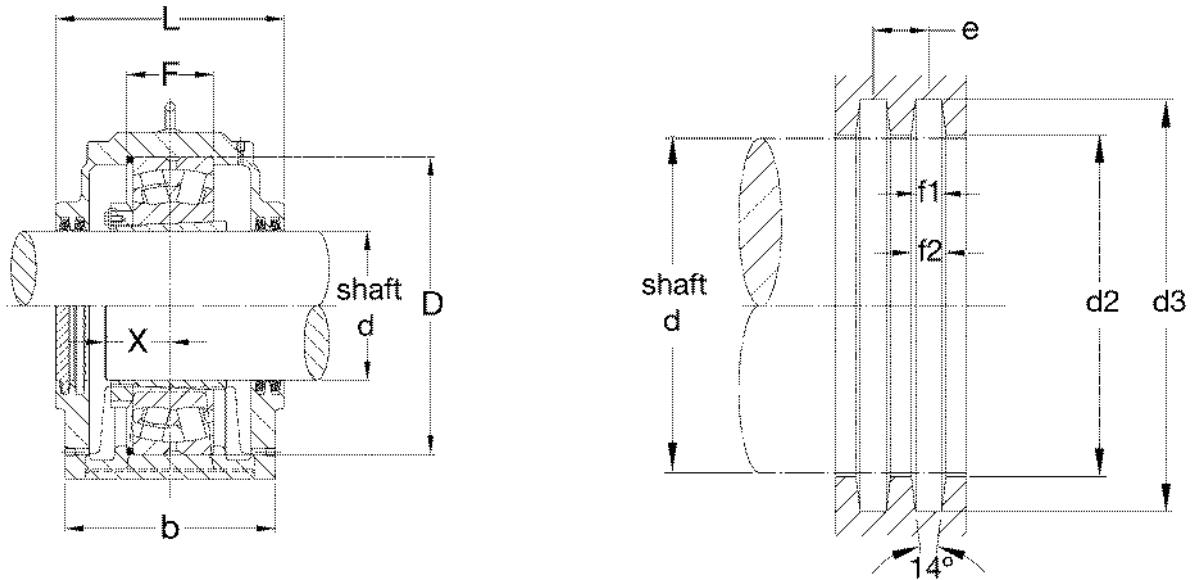
| Housing No. | Dimensions mm | | | | | | | | | | | | | | | |
|---------------|---------------|------|-------|------|-----|-----|-----|-------|-----|-----|-----|-----|----|----|--------|--------|
| | d | D H7 | A h13 | B | E | b | G | F H13 | H | L | L1 | E1 | u | v | d2 H12 | d3 H12 |
| SD 534 | 150 | 310 | 180 | 620 | 510 | 230 | 60 | 96 | 360 | 270 | 270 | 140 | 35 | 52 | 153 | 183 |
| SD 536 | 160 | 320 | 190 | 650 | 540 | 240 | 60 | 96 | 380 | 280 | 280 | 150 | 35 | 52 | 163 | 193 |
| SD 538 | 170 | 340 | 200 | 700 | 570 | 260 | 65 | 102 | 400 | 290 | 290 | 160 | 35 | 55 | 173 | 203 |
| SD 540 | 180 | 360 | 210 | 740 | 610 | 270 | 65 | 108 | 420 | 300 | 300 | 170 | 35 | 55 | 183 | 213 |
| SD 544 | 200 | 400 | 240 | 820 | 680 | 300 | 70 | 118 | 475 | 330 | 330 | 190 | 42 | 62 | 203 | 240 |
| SD 548 | 220 | 440 | 260 | 880 | 740 | 310 | 85 | 130 | 515 | 340 | 340 | 200 | 42 | 62 | 223 | 260 |
| SD 552 | 240 | 480 | 280 | 940 | 790 | 340 | 85 | 140 | 560 | 370 | 370 | 210 | 42 | 62 | 243 | 286 |
| SD 556 | 260 | 500 | 300 | 990 | 830 | 370 | 100 | 140 | 590 | 390 | 390 | 230 | 50 | 70 | 263 | 306 |
| SD 560 | 280 | 540 | 325 | 1060 | 890 | 390 | 100 | 150 | 640 | 410 | 410 | 250 | 50 | 70 | 283 | 332 |
| SD 564 | 300 | 580 | 355 | 1110 | 930 | 420 | 110 | 160 | 690 | 440 | 440 | 270 | 57 | 77 | 303 | 352 |

| | | | | | | | | | | | | | | | | |
|---------------|-----|-----|-----|------|-----|-----|-----|-----|-----|-----|-----|-----|----|----|-----|-----|
| SD 634 | 150 | 360 | 210 | 740 | 610 | 270 | 65 | 130 | 420 | 300 | 300 | 170 | 35 | 55 | 153 | 183 |
| SD 636 | 160 | 380 | 225 | 780 | 640 | 290 | 70 | 136 | 450 | 320 | 320 | 180 | 40 | 60 | 163 | 193 |
| SD 638 | 170 | 400 | 240 | 820 | 680 | 300 | 70 | 142 | 475 | 330 | 330 | 190 | 40 | 60 | 173 | 203 |
| SD 640 | 180 | 420 | 250 | 860 | 710 | 320 | 85 | 148 | 500 | 350 | 350 | 200 | 42 | 62 | 183 | 213 |
| SD 644 | 200 | 460 | 280 | 920 | 770 | 330 | 85 | 155 | 550 | 360 | 360 | 210 | 42 | 62 | 203 | 240 |
| SD 648 | 220 | 500 | 300 | 990 | 830 | 370 | 100 | 165 | 590 | 390 | 390 | 230 | 50 | 70 | 223 | 260 |
| SD 652 | 240 | 540 | 325 | 1060 | 890 | 390 | 100 | 175 | 640 | 410 | 410 | 250 | 50 | 70 | 243 | 286 |
| SD 656 | 260 | 580 | 355 | 1110 | 930 | 420 | 110 | 185 | 690 | 440 | 440 | 270 | 57 | 77 | 263 | 306 |

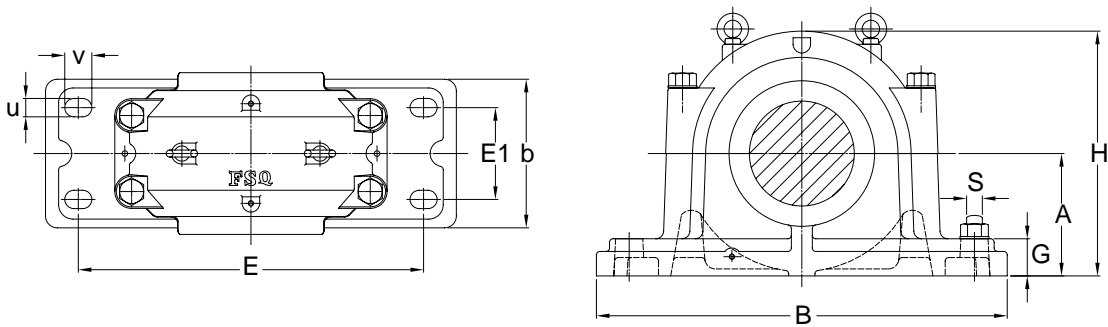


| X | t | f1 | f2 | e | ZF Seal | Bolt S | WT. kg | Bearing No. | Adapter Sleeve | Locating Ring | | End Cover |
|-----|-----|----|------|----|---------|--------|--------|-------------|----------------|---------------|------|-----------|
| | | | | | | | | | | Number | Q'ty | |
| 75 | M24 | 10 | 13.7 | 20 | ZF34 | M30 | 92 | 22234K | H3134 | SR310x10 | 1 | EP534 |
| 76 | M24 | 10 | 13.7 | 20 | ZF36 | M30 | 110 | 22236K | H3136 | SR320x10 | 1 | EP536 |
| 80 | M30 | 10 | 13.7 | 20 | ZF38 | M30 | 125 | 22238K | H3138 | SR340x10 | 1 | EP538 |
| 84 | M30 | 10 | 13.7 | 20 | ZF40 | M30 | 150 | 22240K | H3140 | SR360x10 | 1 | EP540 |
| 90 | M30 | 11 | 15.5 | 22 | ZF44 | M36 | 176 | 22244K | H3144 | SR400x10 | 1 | EP544 |
| 98 | M36 | 11 | 15.5 | 22 | ZF48 | M36 | 217 | 22248K | H3148 | SR440x10 | 1 | EP548 |
| 105 | M36 | 12 | 17.3 | 24 | ZF52 | M36 | 273 | 22252K | H3152 | SR480x10 | 1 | EP552 |
| 107 | M36 | 12 | 17.3 | 24 | ZF56 | M42 | 325 | 22256K | H3156 | SR500x10 | 1 | EP556 |
| 114 | M36 | 13 | 19.0 | 25 | ZF60 | M42 | 404 | 22260K | H3160 | SR540x10 | 1 | EP560 |
| 122 | M42 | 13 | 19.0 | 25 | ZF64 | M48 | 492 | 22264K | H3164 | SR580x10 | 1 | EP564 |

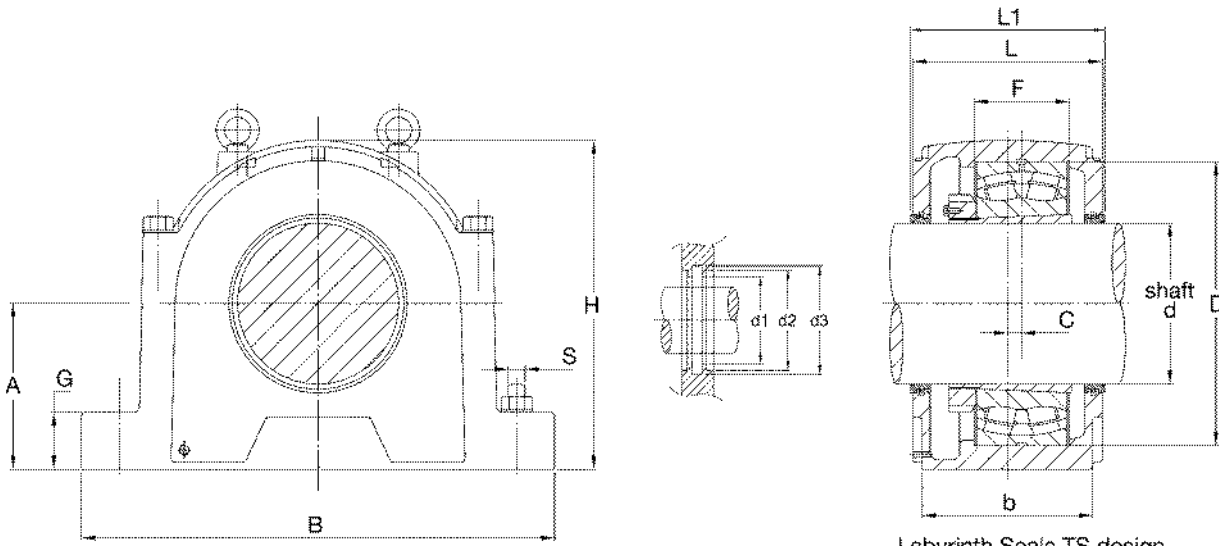
| | | | | | | | | | | | | |
|-----|-----|----|------|----|------|-----|-----|--------|-------|----------|---|-------|
| 92 | M30 | 10 | 13.7 | 20 | ZF34 | M30 | 142 | 22334K | H2334 | SR360x10 | 1 | EP634 |
| 96 | M30 | 10 | 13.7 | 20 | ZF36 | M36 | 161 | 22336K | H2336 | SR380x10 | 1 | EP636 |
| 100 | M30 | 10 | 13.7 | 20 | ZF38 | M36 | 177 | 22338K | H2338 | SR400x10 | 1 | EP638 |
| 104 | M36 | 10 | 13.7 | 20 | ZF40 | M36 | 210 | 22340K | H2340 | SR420x10 | 1 | EP640 |
| 109 | M36 | 11 | 15.5 | 22 | ZF44 | M36 | 270 | 22344K | H2344 | SR460x10 | 1 | EP644 |
| 116 | M36 | 11 | 15.5 | 22 | ZF48 | M42 | 336 | 22348K | H2348 | SR500x10 | 1 | EP648 |
| 123 | M36 | 12 | 17.3 | 24 | ZF52 | M42 | 418 | 22352K | H2352 | SR540x10 | 1 | EP652 |
| 130 | M42 | 12 | 17.3 | 24 | ZF56 | M48 | 509 | 22356K | H2356 | SR580x10 | 1 | EP656 |



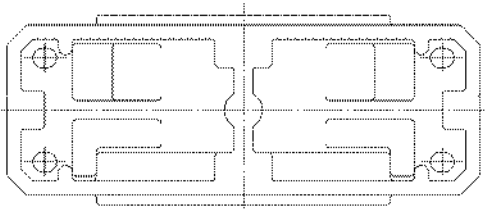
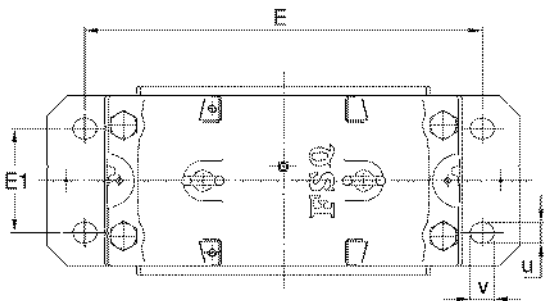
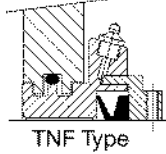
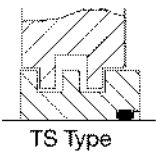
| Housing No. | Dimensions mm | | | | | | | | | | | | | | |
|-------------|---------------|------|-------|------|-----|-----|-----|-------|-----|-----|-----|----|----|--------|--------|
| | d | D H7 | A h13 | B | E | b | G | F H13 | H | L | E1 | u | v | d2 H12 | d3 H12 |
| SD 3034 | 150 | 260 | 160 | 540 | 450 | 200 | 50 | 77 | 320 | 230 | 110 | 35 | 52 | 153 | 183 |
| SD 3036 | 160 | 280 | 170 | 560 | 470 | 220 | 50 | 84 | 340 | 250 | 120 | 35 | 52 | 163 | 193 |
| SD 3038 | 170 | 290 | 170 | 560 | 470 | 220 | 50 | 85 | 345 | 250 | 120 | 35 | 52 | 173 | 203 |
| SD 3040 | 180 | 310 | 180 | 620 | 510 | 230 | 60 | 92 | 360 | 270 | 140 | 35 | 55 | 183 | 213 |
| SD 3044 | 200 | 340 | 200 | 700 | 570 | 260 | 65 | 100 | 400 | 290 | 160 | 35 | 55 | 203 | 240 |
| SD 3048 | 220 | 360 | 210 | 740 | 610 | 270 | 65 | 102 | 420 | 300 | 170 | 35 | 55 | 223 | 260 |
| SD 3052 | 240 | 400 | 240 | 820 | 680 | 300 | 70 | 114 | 475 | 330 | 190 | 42 | 62 | 243 | 286 |
| SD 3056 | 260 | 420 | 250 | 860 | 710 | 320 | 85 | 116 | 500 | 350 | 200 | 42 | 62 | 263 | 306 |
| SD 3060 | 280 | 460 | 280 | 920 | 770 | 330 | 85 | 128 | 550 | 360 | 210 | 42 | 62 | 283 | 332 |
| SD 3064 | 300 | 480 | 280 | 940 | 790 | 340 | 85 | 131 | 560 | 370 | 210 | 42 | 62 | 303 | 352 |
| SD 3068 | 320 | 520 | 310 | 1020 | 860 | 370 | 100 | 143 | 615 | 400 | 230 | 50 | 70 | 323 | 372 |
| SD 3072 | 340 | 540 | 325 | 1060 | 890 | 390 | 100 | 144 | 640 | 410 | 250 | 50 | 70 | 343 | 392 |
| SD 3076 | 360 | 560 | 340 | 1080 | 900 | 390 | 100 | 145 | 665 | 410 | 260 | 50 | 70 | 363 | 412 |



| x | t | f1 | f2 | e | ZF Seal | Bolt S | WT. kg | Bearing No. | Adapter Sleeve | Locating Ring | | End Cover |
|-----|-----|----|------|----|---------|--------|--------|-------------|----------------|---------------|------|-----------|
| | | | | | | | | | | Number | Q'ty | |
| 60 | M24 | 10 | 13.7 | 20 | ZF34 | M30 | 71 | 23034K | H3034 | SR260x10 | 1 | EP3034 |
| 70 | M24 | 10 | 13.7 | 20 | ZF36 | M30 | 77 | 23036K | H3036 | SR280x10 | 1 | EP3036 |
| 72 | M24 | 10 | 13.7 | 20 | ZF38 | M30 | 78 | 23038K | H3038 | SR290x10 | 1 | EP3038 |
| 76 | M24 | 10 | 13.7 | 20 | ZF40 | M30 | 85 | 23040K | H3040 | SR310x10 | 1 | EP3040 |
| 79 | M30 | 11 | 15.5 | 22 | ZF44 | M30 | 118 | 23044K | H3044 | SR340x10 | 1 | EP3044 |
| 84 | M30 | 11 | 15.5 | 22 | ZF48 | M30 | 136 | 23048K | H3048 | SR360x10 | 1 | EP3048 |
| 90 | M30 | 12 | 17.3 | 24 | ZF52 | M36 | 190 | 23052K | H3052 | SR400x10 | 1 | EP3052 |
| 95 | M36 | 12 | 17.3 | 24 | ZF56 | M36 | 242.2 | 23056K | H3056 | SR420x10 | 1 | EP3056 |
| 105 | M36 | 13 | 19.0 | 25 | ZF60 | M36 | 295 | 23060K | H3060 | SR460x10 | 1 | EP3060 |
| 108 | M36 | 13 | 19.0 | 25 | ZF64 | M36 | 291 | 23064K | H3064 | SR480x10 | 1 | EP3064 |
| 117 | M36 | 13 | 19.0 | 25 | ZF68 | M42 | 386 | 23068K | H3068 | SR520x10 | 1 | EP3068 |
| 117 | M36 | 13 | 19.0 | 25 | ZF72 | M42 | 434 | 23072K | H3072 | SR540x10 | 1 | EP3072 |
| 121 | M36 | 13 | 19.0 | 25 | ZF76 | M42 | 453 | 23076K | H3076 | SR560x10 | 1 | EP3076 |

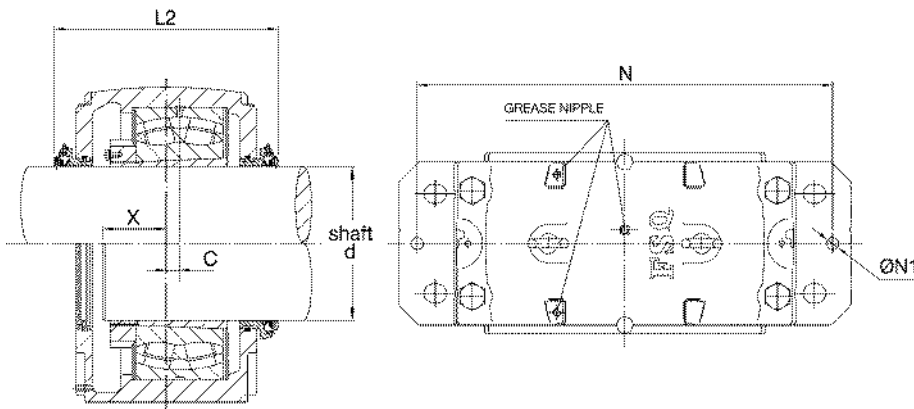


Labyrinth Seals TS design
Standard on SNK Housings



For SNK3184 to SNK3196 inclusive.
Please consult FSQ.

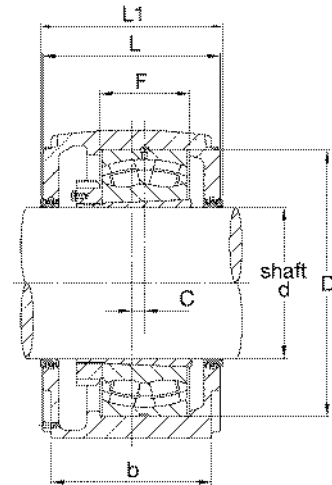
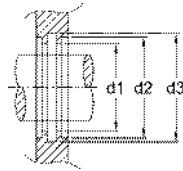
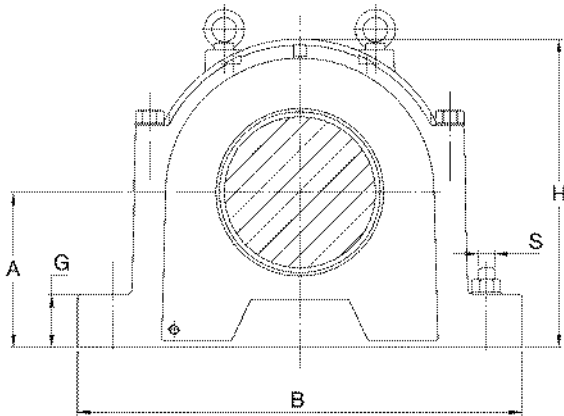
| Housing No. | Shaft Dia. | | | | | | | |
|-------------|------------|------|--------|--------|--------|-------|------|-----|
| | d | D H7 | d1 H12 | d2 H12 | d3 H12 | A h13 | B | F |
| SNK3134 | 150 | 280 | 171.2 | 186.4 | 195.2 | 170 | 510 | 108 |
| SNK3136 | 160 | 300 | 181.2 | 196.4 | 205.2 | 180 | 530 | 116 |
| SNK3138 | 170 | 320 | 191.4 | 206.4 | 215.4 | 190 | 560 | 124 |
| SNK3140 | 180 | 340 | 201.4 | 216.4 | 225.4 | 210 | 610 | 132 |
| SNK3144 | 200 | 370 | 221.4 | 236.4 | 245.4 | 220 | 640 | 140 |
| SNK3148 | 220 | 400 | 241.4 | 256.4 | 265.4 | 240 | 700 | 148 |
| SNK3152 | 240 | 440 | 261.6 | 276.6 | 285.6 | 260 | 770 | 164 |
| SNK3156 | 260 | 460 | 281.6 | 296.6 | 305.6 | 280 | 790 | 166 |
| SNK3160 | 280 | 500 | 301.6 | 316.8 | 325.6 | 300 | 830 | 180 |
| SNK3164 | 300 | 540 | 321.8 | 336.8 | 345.8 | 320 | 880 | 196 |
| SNK3168 | 320 | 580 | 342.4 | 357.4 | 366.4 | 340 | 950 | 210 |
| SNK3172 | 340 | 600 | 362.4 | 377.4 | 386.4 | 350 | 1000 | 212 |
| SNK3176 | 360 | 620 | 382.4 | 397.4 | 406.4 | 360 | 1040 | 214 |
| SNK3180 | 380 | 650 | 402.8 | 417.8 | 426.8 | 380 | 1120 | 220 |



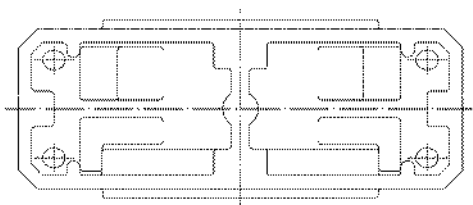
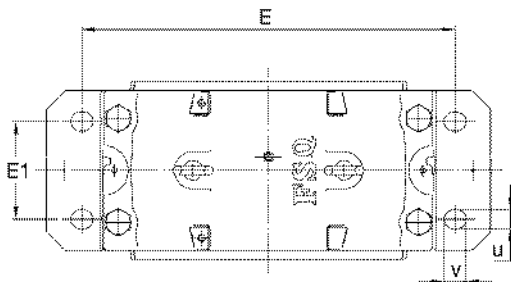
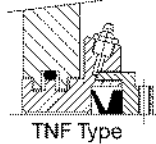
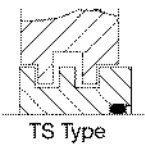
Taconite Seals TNF design
Optional on SNK Housings

Dowel pins (OPTIONAL)
SNK3100 housings are designed for loads acting vertically to the housing base support. If they are to be subjected to moderate or heavy loads acting parallel to the base support, a stop should be provided, or the housing should be pinned to its support. Recommendations for the position and size of holes to take dowel pins are given in table.

| Dimensions mm | | | | | | | | | | | | | Optional | Bolt | Spherical | Adapter | Labyrinth | Taconite | End | Weight | Locating | |
|---------------|-----|----|----|-----|-----|-----|-----|-----|-----|----|-----|------|----------|------|-----------|---------|-----------|----------|---------|--------|----------|------|
| E | E1 | u | v | b | G | H | L | L1 | L2 | C | X | N | N1 | S | Di. | Roller | | | | | Sleeve | Seal |
| 430 | 100 | 28 | 34 | 180 | 70 | 333 | 230 | 240 | 300 | 14 | 78 | 470 | 20 | 24 | 23134K | H3134 | TS3134 | TNF34 | ETS3134 | 73.5 | 280x10 | 2 |
| 450 | 110 | 28 | 34 | 190 | 75 | 353 | 240 | 250 | 315 | 15 | 83 | 490 | 20 | 24 | 23136K | H3136 | TS3136 | TNF36 | ETS3136 | 83.4 | 300x10 | 2 |
| 480 | 120 | 28 | 34 | 210 | 80 | 375 | 260 | 270 | 335 | 10 | 88 | 520 | 20 | 24 | 23138K | H3138 | TS3138 | TNF38 | ETS3138 | 103.2 | 320x10 | 2 |
| 510 | 130 | 35 | 42 | 230 | 85 | 411 | 280 | 290 | 355 | 10 | 93 | 560 | 20 | 30 | 23140K | H3140 | TS3140 | TNF40 | ETS3140 | 130 | 340x10 | 2 |
| 540 | 140 | 35 | 42 | 240 | 90 | 434 | 290 | 300 | 365 | 12 | 100 | 590 | 20 | 30 | 23144K | H3144 | TS3144 | TNF44 | ETS3144 | 140 | 370x10 | 2 |
| 600 | 150 | 35 | 42 | 260 | 95 | 474 | 310 | 315 | 400 | 12 | 106 | 650 | 20 | 30 | 23148K | H3148 | TS3148 | TNF48 | ETS3148 | 206 | 400x10 | 2 |
| 650 | 160 | 42 | 50 | 280 | 100 | 516 | 320 | 330 | 415 | 13 | 116 | 720 | 20 | 36 | 23152K | H3152 | TS3152 | TNF52 | ETS3152 | 232 | 440x10 | 2 |
| 670 | 160 | 42 | 50 | 280 | 105 | 551 | 320 | 330 | 415 | 16 | 119 | 740 | 20 | 36 | 23156K | H3156 | TS3156 | TNF56 | ETS3156 | 260 | 460x10 | 2 |
| 710 | 190 | 42 | 50 | 310 | 110 | 591 | 350 | 360 | 445 | 22 | 138 | 770 | 25 | 36 | 23160K | H3160 | TS3160 | TNF60 | ETS3160 | 308 | 500x10 | 2 |
| 750 | 200 | 42 | 50 | 330 | 115 | 631 | 370 | 380 | 462 | 23 | 149 | 830 | 25 | 36 | 23164K | H3164 | TS3164 | TNF64 | ETS3164 | 346 | 540x10 | 2 |
| 810 | 220 | 42 | 50 | 360 | 120 | 675 | 400 | 410 | 492 | 24 | 172 | 880 | 25 | 36 | 23168K | H3168 | TS3168 | TNF68 | ETS3168 | 429.5 | - | - |
| 840 | 220 | 42 | 50 | 360 | 120 | 695 | 400 | 410 | 492 | 30 | 176 | 920 | 30 | 36 | 23172K | H3172 | TS3172 | TNF72 | ETS3172 | 454 | - | - |
| 870 | 220 | 42 | 50 | 360 | 120 | 715 | 400 | 410 | 492 | 30 | 179 | 960 | 30 | 36 | 23176K | H3176 | TS3176 | TNF76 | ETS3176 | 487 | - | - |
| 950 | 240 | 48 | 60 | 390 | 125 | 775 | 430 | 440 | 522 | 30 | 187 | 1020 | 35 | 42 | 23180K | H3180 | TS3180 | TNF80 | ETS3180 | 595 | - | - |

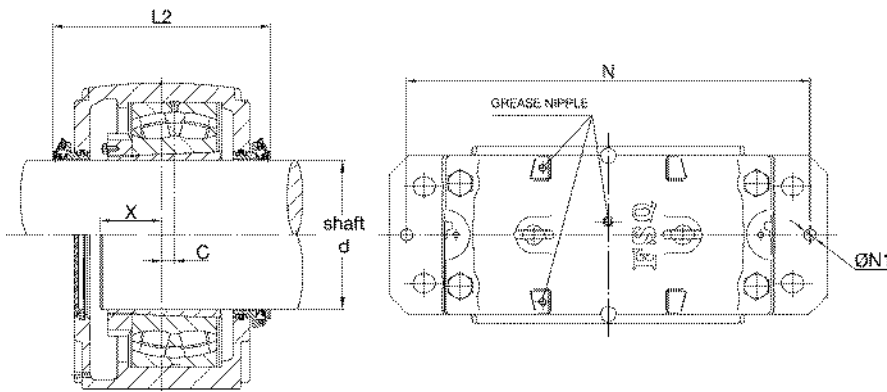


Labyrinth Seals TS design
Standard on SNK Housings



For SNK3088 to 30/500 inclusive.
Please consult FSQ.

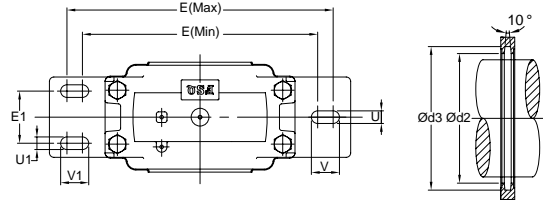
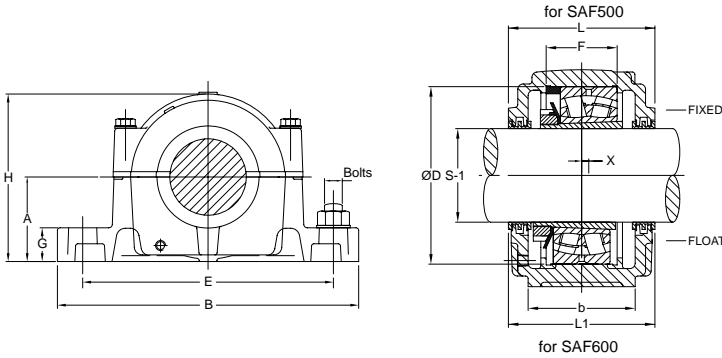
| Housing No. | Shaft Dia. | | | | | | | |
|-------------|------------|------|--------|--------|--------|-------|------|-----|
| | d | D H7 | d1 H12 | d2 H12 | d3 H12 | A h13 | B | F |
| SNK3036 | 160 | 280 | 181.2 | 196.4 | 205.2 | 170 | 510 | 108 |
| SNK3038 | 170 | 290 | 191.4 | 206.4 | 215.4 | 180 | 530 | 115 |
| SNK3040 | 180 | 310 | 201.4 | 216.4 | 225.4 | 190 | 560 | 122 |
| SNK3044 | 200 | 340 | 221.4 | 236.4 | 245.4 | 210 | 610 | 130 |
| SNK3048 | 220 | 360 | 241.4 | 256.4 | 265.4 | 220 | 640 | 140 |
| SNK3052 | 240 | 400 | 261.6 | 276.6 | 285.6 | 240 | 700 | 148 |
| SNK3056 | 260 | 420 | 281.6 | 296.6 | 305.6 | 260 | 770 | 166 |
| SNK3060 | 280 | 460 | 301.6 | 316.8 | 325.6 | 280 | 790 | 168 |
| SNK3064 | 300 | 480 | 321.8 | 336.8 | 345.8 | 300 | 830 | 181 |
| SNK3068 | 320 | 520 | 342.4 | 357.4 | 366.4 | 320 | 880 | 197 |
| SNK3072 | 340 | 540 | 362.4 | 377.4 | 386.4 | 320 | 880 | 198 |
| SNK3076 | 360 | 560 | 382.4 | 397.4 | 406.4 | 340 | 950 | 180 |
| SNK3080 | 380 | 600 | 402.8 | 417.8 | 426.8 | 350 | 1000 | 192 |
| SNK3084 | 400 | 620 | 422.8 | 437.8 | 446.8 | 360 | 1040 | 194 |



Taconite Seals TNF design
Optional on SNK Housings

Dowel pins (OPTIONAL)
SNK3000 housings are designed for loads acting vertically to the housing base support. If they are to be subjected to moderate or heavy loads acting parallel to the base support, a stop should be provided, or the housing should be pinned to its support. Recommendations for the position and size of holes to take dowel pins are given in table.

| Dimensions mm | | | | | | | | | | | | | Optional | Bolt | Spherical | Adapter | Labyrinth | Taconite | End | Weight | Locating | |
|---------------|-----|----|----|-----|-----|-----|-----|-----|-----|----|-----|-----|----------|------------|-----------|---------|-----------|----------|---------|--------|----------|------|
| E | E1 | u | v | b | G | H | L | L1 | L2 | C | X | N | N1 | Dowel pins | Dia. | Roller | | | | | Sleeve | Seal |
| | | | | | | | | | | | | | | | S | Bearing | Metric | | | | | |
| 430 | 100 | 28 | 34 | 180 | 70 | 333 | 230 | 240 | 300 | 14 | 72 | 470 | 20 | 24 | 23036K | H3036 | TS3036 | TNF36 | ETS3036 | 72 | 280x17 | 2 |
| 450 | 110 | 28 | 34 | 190 | 75 | 353 | 240 | 250 | 315 | 15 | 73 | 490 | 20 | 24 | 23038K | H3038 | TS3038 | TNF38 | ETS3038 | 81 | 290x10 | 4 |
| 480 | 120 | 28 | 34 | 210 | 80 | 375 | 260 | 270 | 335 | 10 | 78 | 520 | 20 | 24 | 23040K | H3040 | TS3040 | TNF40 | ETS3040 | 109.2 | 310x10 | 4 |
| 510 | 130 | 35 | 42 | 230 | 85 | 411 | 280 | 290 | 355 | 10 | 91 | 560 | 20 | 30 | 23044K | H3044 | TS3044 | TNF44 | ETS3044 | 131 | 340x10 | 4 |
| 540 | 140 | 35 | 42 | 240 | 90 | 434 | 290 | 300 | 380 | 12 | 97 | 590 | 20 | 30 | 23048K | H3048 | TS3048 | TNF48 | ETS3048 | 141 | 360x12 | 4 |
| 600 | 150 | 35 | 42 | 260 | 95 | 474 | 310 | 315 | 400 | 12 | 103 | 650 | 20 | 30 | 23052K | H3052 | TS3052 | TNF52 | ETS3052 | 207 | 400x22 | 2 |
| 650 | 160 | 42 | 50 | 280 | 100 | 516 | 320 | 330 | 415 | 13 | 108 | 720 | 20 | 36 | 23056K | H3056 | TS3056 | TNF56 | ETS3056 | 252 | 420x10 | 6 |
| 670 | 160 | 42 | 50 | 280 | 105 | 551 | 320 | 330 | 415 | 16 | 118 | 740 | 20 | 36 | 23060K | H3060 | TS3060 | TNF60 | ETS3060 | 260 | 460x25 | 2 |
| 710 | 190 | 42 | 50 | 310 | 110 | 591 | 350 | 360 | 445 | 22 | 121 | 770 | 25 | 36 | 23064K | H3064 | TS3064 | TNF64 | ETS3064 | 300 | 480x10 | 6 |
| 750 | 200 | 42 | 50 | 330 | 115 | 631 | 370 | 380 | 465 | 23 | 130 | 830 | 25 | 36 | 23068K | H3068 | TS3068 | TNF68 | ETS3068 | 339 | 520x16 | 4 |
| 750 | 200 | 42 | 50 | 330 | 115 | 631 | 370 | 380 | 465 | 23 | 130 | 830 | 25 | 36 | 23072K | H3072 | TS3072 | TNF72 | ETS3072 | 342 | 540x16 | 4 |
| 810 | 220 | 42 | 50 | 360 | 120 | 675 | 400 | 410 | 495 | 24 | 131 | 880 | 25 | 36 | 23076K | H3076 | TS3076 | TNF76 | ETS3076 | 427 | - | - |
| 840 | 220 | 42 | 50 | 360 | 120 | 695 | 400 | 410 | 495 | 30 | 145 | 920 | 30 | 36 | 23080K | H3080 | TS3080 | TNF80 | ETS3080 | 450 | - | - |
| 870 | 220 | 42 | 50 | 360 | 120 | 715 | 400 | 410 | 495 | 30 | 146 | 960 | 30 | 36 | 23084K | H3084 | TS3084 | TNF84 | ETS3084 | 483 | - | - |



- 1.Extra RIB to enhance the strength of housing base.
- 2.Solid base(SAF509-FSAF517)gives extra strength at housing base.
- 3.Pry slot for easier dismounting housing.
- 4.Drain holes could be adapted with oil glass for oil lube.
- 5.Wider seal groove(SAF509-SAF544)covers labyrinth seal inside housing entirely.

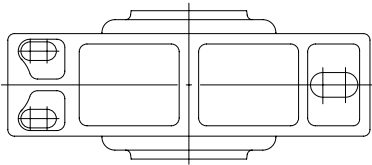
SERIES SAF 500-HOUSING DIMENSIONS

| Housing No. * § † | A | B | b | G | E | | E1 | H | L | X | 2-Bolt | | 4-Bolt | | Bolts (No. Req'd) | Wt. in lbs.* | D H7 mm | F mm | d2(H12) mm | d3(H12) mm |
|----------------------|---------|--------|-------|--------|----------|----------|-------|----------|----------|------|--------|------|--------|------|-------------------|--------------|---------|------|------------|------------|
| | h13 in. | in. | in. | in. | Max. in. | Min. in. | in. | in. | in. | in. | u | v | u1 | v1 | | | | | | |
| SAF 509 | 2-1/4 | 8-1/4 | 2-3/8 | 13/16 | 7 | 6-1/4 | | 4-3/8 | 3-5/8 | .114 | 16.0 | 25.5 | - | - | (2)-1/2 | 9.2 | 85 | 29 | 41.66 | 52.4 |
| SAF 510 | 2-1/2 | 8-1/4 | 2-3/8 | 15/16 | 7 | 6-1/2 | | 4-3/4 | 3-5/8 | .133 | 16.0 | 22.4 | - | - | (2)-1/2 | 10.1 | 90 | 30 | 48 | 58.75 |
| SAF 511 | 2-3/4 | 9-5/8 | 2-3/4 | 15/16 | 7-7/8 | 7-3/8 | | 5-1/4 | 3-7/8 | .114 | 19.0 | 25.4 | - | - | (2)-5/8 | 12.8 | 100 | 31 | 54.36 | 65.1 |
| SAF 513† | 3 | 11 | 3-1/8 | 1 | 9-1/2 | 8-1/8 | 2 | 5-15/16 | 4-1/2 | .157 | 19.0 | 36.5 | 16.0 | 33.5 | (2)-5/8 (4)-1/2 | 19 | 120 | 39 | 60.96 | 71.7 |
| SAF 515† | 3-1/4 | 11-1/4 | 3-1/8 | 1-1/8 | 9-5/8 | 8-5/8 | 1-7/8 | 6-3/8 | 4-3/4 | .118 | 19.0 | 31.8 | 16.0 | 28.7 | (2)-5/8 (4)-1/2 | 18.3 | 130 | 37 | 67.82 | 90.98 |
| SAF 516† | 3-1/2 | 13 | 3-1/2 | 1-3/16 | 11 | 9-5/8 | 2-1/8 | 6-7/8 | 4-15/16 | .187 | 22.2 | 39.7 | 19.0 | 36.5 | (2)-3/4 (4)-5/8 | 29.7 | 140 | 43 | 77.34 | 90.5 |
| SAF 517† | 3-3/4 | 13 | 3-1/2 | 1-1/4 | 11 | 9-7/8 | 2-1/8 | 7-5/16 | 5-1/16 | .187 | 22.2 | 36.5 | 19.0 | 33.3 | (2)-3/4 (4)-5/8 | 33 | 150 | 46 | 83.7 | 96.85 |
| SAF 518† | 4 | 13-3/4 | 3-7/8 | 1-5/16 | 11-5/8 | 10-3/8 | 2-1/8 | 7-3/4 | 5-13/16 | .187 | 22.2 | 38.1 | 19.0 | 34.9 | (2)-3/4 (4)-5/8 | 39.6 | 160 | 50 | 91.06 | 110.11 |
| SAF 520† | 4-1/2 | 15-1/4 | 4-3/8 | 1-3/4 | 13-1/8 | 11-5/8 | 2-3/8 | 8-3/4 | 6-1/16 | .187 | 25.4 | 44.5 | 22.2 | 41.2 | (2)-7/8 (4)-3/4 | 55 | 180 | 56 | 94.23 | 113.28 |
| SAF 522 | 4-15/16 | 16-1/2 | 4-3/4 | 2 | 14-1/2 | 12-5/8 | 2-3/4 | 9-5/8 | 6-9/16 | .187 | - | - | 22.2 | 46.0 | (4)-3/4 | 66 | 200 | 63 | 106.93 | 125.98 |
| SAF 524 | 5-1/4 | 16-1/2 | 4-3/4 | 2-1/8 | 14-1/2 | 13-1/4 | 2-3/4 | 10-1/4 | 7-7/16 | .187 | - | - | 22.2 | 38.0 | (4)-3/4 | 74.8 | 215 | 68 | 113.8 | 132.84 |
| SAF 526 | 6 | 18-3/8 | 5-1/8 | 2-3/8 | 16 | 14-5/8 | 3-1/4 | 11-1/2 | 8-1/16 | .187 | - | - | 25.4 | 42.9 | (4)-7/8 | 103.4 | 230 | 74 | 121.74 | 140.8 |
| SAF 528 | 6 | 20-1/8 | 5-7/8 | 2-3/8 | 17-1/8 | 16 | 3-3/8 | 11-3/4 | 7-15/16 | .187 | - | - | 28.4 | 42.7 | (4)-1 | 123.2 | 250 | 78 | 132.84 | 151.9 |
| SAF 530 | 6-5/16 | 21-1/4 | 6-1/4 | 2-1/2 | 18-1/4 | 17 | 3-3/4 | 12-1/2 | 8-7/16 | .187 | - | - | 28.4 | 44.3 | (4)-1 | 139.7 | 270 | 83 | 142.88 | 161.93 |
| SAF 532 | 6-11/16 | 22 | 6-1/4 | 2-5/8 | 19-1/4 | 17-3/8 | 3-3/4 | 13-5/16 | 9 | .187 | - | - | 28.4 | 52.3 | (4)-1 | 157.3 | 290 | 90 | 146.05 | 171.45 |
| SAF 534 | 7-1/16 | 24-3/4 | 6-3/4 | 2-3/4 | 21-5/8 | 19-3/8 | 4-1/4 | 14-3/16 | 9-11/16 | .187 | - | - | 28.4 | 57.0 | (4)-1 | 184.3 | 310 | 96 | 161.11 | 186.51 |
| SAF 536 | 7-1/2 | 26-3/4 | 7-1/8 | 3 | 23-5/8 | 20-7/8 | 4-5/8 | 14-7/18 | 10-1/16 | .187 | - | - | 28.4 | 63.3 | (4)-1 | 211.2 | 320 | 96 | 172.21 | 197.6 |
| SAF 538 | 7-7/8 | 28 | 7-1/2 | 3-1/8 | 24-3/8 | 21-5/8 | 4-1/2 | 15-11/16 | 10-13/16 | .187 | - | - | 35.0 | 66.8 | (4)-1 1/4 | 248.6 | 340 | 102 | 187.53 | 212.93 |
| SAF 540 | 8-1/4 | 29-1/2 | 8 | 3-3/8 | 25 | 22-1/2 | 5 | 16-1/2 | 11-5/16 | .187 | - | - | 35.0 | 66.8 | (4)-1 1/4 | 330 | 360 | 108 | 192.28 | 217.68 |
| SAF 544 | 9-1/2 | 32-3/4 | 8-3/4 | 3-3/4 | 27-7/8 | 24-3/4 | 5-1/4 | 18-5/8 | 12-1/16 | .187 | - | - | 42.8 | 82.5 | (4)-1 1/2 | 440 | 400 | 118 | 211.84 | 237.24 |

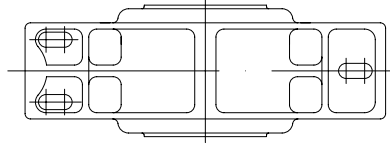
SERIES SAF-600 HOUSING DIMENSIONS

| Housing No. * § † | A | B | b | G | E | | E1 | H | L1 | X | 2-Bolt Base | | 4-Bolt Base | | Bolts (No. Req'd) | Wt. in lbs.* | D mm | F mm | d2(H12) mm | d3(H12) mm |
|----------------------|---------|--------|-------|--------|----------|----------|---------|----------|---------|------|-------------|------|-------------|-------|-------------------|--------------|------|------|------------|------------|
| | h13 in. | in. | in. | in. | Max. in. | Min. in. | in. | in. | in. | in. | u | v | u1 | v1 | | | | | | |
| SAF 609 | 2-3/4 | 9-5/8 | 2-3/4 | 1 | 7-7/8 | 7-3/8 | 5-5/16 | 4-1/4 | | .187 | 19.0 | 25.4 | - | - | (2)-5/8 | 12.5 | 100 | 46 | 41.66 | 52.4 |
| SAF 610 | 3 | 10-5/8 | 2-3/4 | 1-1/8 | 9 | 7-3/4 | 5-13/16 | 4-5/8 | | .212 | 19.0 | 34.9 | - | - | (2)-5/8 | 17.3 | 110 | 51 | 48 | 58.75 |
| SAF 611† | 3-1/4 | 11 | 3-1/8 | 1-3/16 | 9-1/2 | 8-1/8 | 2 | 6-3/16 | 4-7/8 | .187 | 19.0 | 36.5 | 16.0 | 33.5 | (2)-5/8 (4)-1/2 | 20.8 | 120 | 53 | 54.36 | 65.1 |
| SAF 613† | 3-1/2 | 13 | 3-1/2 | 1-1/4 | 11 | 9-5/8 | 2-1/8 | 6-15/16 | 5-3/8 | .212 | 22.2 | 36.7 | 19.0 | 36.5 | (2)-3/4 (4)-5/8 | 29.6 | 140 | 58 | 61.47 | 74.63 |
| SAF 615† | 4 | 13-3/4 | 3-7/8 | 1-5/16 | 11-5/8 | 10-3/8 | 2-1/8 | 7-3/4 | 6-1/4 | .187 | 22.2 | 38.1 | 19.0 | 34.9 | (2)-3/4 (4)-5/8 | 38.0 | 160 | 65 | 67.82 | 80.98 |
| SAF 616† | 4-1/4 | 14-1/4 | 3-7/8 | 1-5/16 | 12-5/8 | 10-5/8 | 2-1/8 | 8-1/4 | 6-1/2 | .187 | 22.2 | 47.6 | 19.0 | 44.4 | (2)-3/4 (4)-5/8 | 49.0 | 170 | 68 | 77.34 | 91.48 |
| SAF 617† | 4-1/2 | 15-1/4 | 4-3/8 | 1-3/4 | 13-1/8 | 11-5/8 | 2-3/8 | 8-3/4 | 6-3/4 | .187 | 25.4 | 44.5 | 22.2 | 41.3 | (2)-7/8 (4)-3/4 | 59.1 | 180 | 70 | 81.03 | 100.08 |
| SAF 618 | 4-3/4 | 15-1/2 | 4-3/8 | 2 | 13-1/2 | 12 | 2-1/4 | 9-3/16 | 6-7/8 | .187 | - | - | 22.2 | 41.3 | (4)-3/4 64.7 | 190 | 74 | | 91.06 | 110.1 |
| SAF 620 | 5-1/4 | 16-1/2 | 4-3/4 | 2-1/8 | 14-1/2 | 13-1/4 | 2-3/4 | 10-1/4 | 7-3/8 | .187 | - | - | 22.2 | 38.1 | (4)-3/4 79.4 | 215 | 83 | | 94.23 | 113.3 |
| SAF 622 | 6 | 18-3/8 | 5-1/8 | 2-3/8 | 16 | 14-5/8 | 3-1/4 | 11-1/2 | 8 | .187 | - | - | 25.4 | 42.9 | (4)-7/8 | 110.6 | 240 | 90 | 106.93 | 126 |
| SAF 624 | 6-5/16 | 21-1/4 | 6-1/4 | 2-1/2 | 18-1/4 | 17 | 3-3/4 | 12-1/2 | 8-3/8 | .187 | - | - | 28.4 | 44.3 | (4)-1 | 150.3 | 260 | 96 | 113.8 | 132.9 |
| SAF 626 | 6-11/16 | 22 | 6-1/4 | 2-5/8 | 19-1/4 | 17-3/8 | 3-3/4 | 13-5/16 | 8-3/4 | .187 | - | - | 28.4 | 55.0 | (4)-1 | 169.6 | 280 | 103 | 121.74 | 140.8 |
| SAF 628 | 7-1/16 | 24-3/4 | 6-3/4 | 2-3/4 | 21-5/8 | 19-3/8 | 4-1/4 | 14-3/16 | 9-5/8 | .187 | - | - | 28.4 | 57.0 | (4)-1 | 198.7 | 300 | 112 | 132.84 | 151.9 |
| SAF 630 | 7-1/2 | 26-3/4 | 7-1/8 | 3 | 23-5/8 | 20-7/8 | 4-5/8 | 14-7/8 | 9-3/4 | .187 | - | - | 28.4 | 63.3 | (4)-1 | 267.3 | 320 | 118 | 142.88 | 161.9 |
| SAF 632 | 7-7/8 | 28 | 7-1/2 | 3-1/8 | 24-3/8 | 21-5/8 | 4-1/2 | 15-11/16 | 10-3/4 | .187 | - | - | 35.0 | 66.8 | (4)-1 1/4 | 277.0 | 340 | 124 | 146.05 | 171.45 |
| SAF 634 | 8-1/4 | 29-1/2 | 8 | 3-3/8 | 25 | 22-1/2 | 5 | 16-1/2 | 11-1/4 | .187 | - | - | 35.0 | 66.8 | (4)-1 1/4 | 315.6 | 360 | 130 | 161.11 | 186.5 |
| SAF 636 | 8-7/8 | 31-1/4 | 8-1/4 | 3-1/2 | 26-5/8 | 24 | 5-1/4 | 17-3/4 | 11-3/8 | .187 | - | - | 35.0 | 68.4 | (4)-1 1/4 | 386.0 | 380 | 136 | 172.21 | 197.6 |
| SAF 638 | 9-1/2 | 32-3/4 | 8-3/4 | 3-3/4 | 27-7/8 | 24-3/4 | 5-1/4 | 18-5/8 | 12 | .187 | - | - | 42.8 | 82.55 | (4)-1 1/2 | 454.2 | 400 | 142 | 187.53 | 212.9 |
| SAF 640 | 9-7/8 | 34-1/4 | 9 | 4 | 29-1/2 | 26-1/4 | 5-1/2 | 20 | 12-1/16 | .187 | - | - | 42.8 | 82.55 | (4)-1 1/2 | 504.6 | 420 | 148 | 192.28 | 217.7 |

NOTES:



for SAF509-517
SAF609-617



for SAF518-544
SAF618-640

* Basic housing does not include bearing and accessories. The weight is subject to change.

§ For float unit application, order 1-housing, 1-adapter, and 2-labyrinth seals.
For fixed unit application, add 1-stabilizing ring to the above.

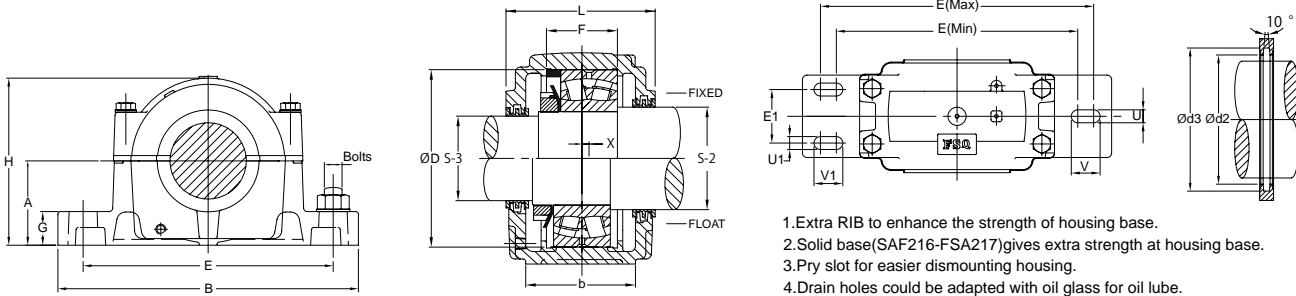
† 4-hole base is also available and must be marked with a prefix F . SAF 522 and SAF 618 and up are standard 4-hole base.

SERIES SAF 225-PILLOW BLOCK PART NUMBERS

| Shaft Dia. S-1 in. | Complete Pillow Block Number | Pillow Block Housing Only | Bearing Number | Adapter Sleeve | Labyrinth Seal Ring (2 Req'd) | LOR Seal Ring (2 Req'd) | Taconite Seal (2 Req'd) | Stabilizing Ring (1 Req'd) | End Plug (EPR) |
|--------------------------|---------------------------------|------------------------------|-------------------|-------------------|-------------------------------------|----------------------------|----------------------------|----------------------------------|----------------------|
| 1-7/16 | SAF 22509 | SAF 509 | 22209K | SNW 9 | LER 17 | LOR 17 | TER 17-V | SR- 9- 9 | 3 |
| 1-11/16 | SAF 22510 | SAF 510 | 22210K | SNW 10 | LER 20 | LOR 20 | TER 20-V | SR-10- 0 | 4 |
| 1-15/16 | SAF 22511 | SAF 511 | 22211K | SNW 11 | LER 24 | LOR 24 | TER 24-V | SR-11- 0 | 5 |
| 2-3/16 | SAF 22513 | SAF 513 | 22213K | SNW 13 | LER 29 | LOR 29 | TER 29-V | SR-13- 0 | 6 |
| 2-7/16 | SAF 22515 | SAF 515 | 22215K | SNW 15 | LER 37 | LOR 37 | TER 37-V | SR-15- 0 | 7 |
| 2-11/16 | SAF 22516 | SAF 516 | 22216K | SNW 16 | LER 44 | LOR 44 | TER 44-V | SR-16-13 | 8 |
| 2-15/16 | SAF 22517 | SAF 517 | 22217K | SNW 17 | LER 53 | LOR 53 | TER 53-V | SR-17-14 | 9 |
| 3-3/16 | SAF 22518 | SAF 518 | 22218K | SNW 18 | LER 188 | LOR188 | TER188-V | SR-18-15 | 11 |
| 3-7/16 | SAF 22520 | SAF 520 | 22220K | SNW 20 | LER 102 | LOR102 | TER102-V | SR-20-17 | 12 |
| 3-15/16 | SAF 22522 | SAF 522 | 22222K | SNW 22 | LER 109 | LOR109 | TER109-V | SR-22-19 | 13 |
| 4-3/16 | SAF 22524 | SAF 524 | 22224K | SNW 24 | LER 113 | LOR113 | TER113-V | SR-24-20 | 14 |
| 4-7/16 | SAF 22526 | SAF 526 | 22226K | SNW 26 | LER 117 | LOR117 | TER117-V | SR-26- 0 | 15 |
| 4-15/16 | SAF 22528 | SAF 528 | 22228K | SNW 28 | LER 122 | LOR122 | TER122-V | SR-28- 0 | 27 |
| 5-3/16 | SAF 22530 | SAF 530 | 22230K | SNW 30 | LER 125 | LOR125 | TER125-V | SR-30- 0 | 16 |
| 5-7/16 | SAF 22532 | SAF 532 | 22232K | SNW 32 | LER 130 | LOR130 | TER130-V | SR-32- 0 | 16 |
| 5-15/16 | SAF 22534 | SAF 534 | 22234K | SNW 34 | LER 140 | LOR140 | TER140-V | SR-34- 0 | 18 |
| 6-7/16 | SAF 22536 | SAF 536 | 22236K | SNW 36 | LER 148 | LOR148 | TER148-V | SR-36-30 | 19 |
| 6-15/16 | SAF 22538 | SAF 538 | 22238K | SNW 38 | LER 155 | LOR155 | TER155-V | SR-38-32 | 20 |
| 7-3/16 | SAF 22540 | SAF 540 | 22240K | SNW 40 | LER 159 | LOR159 | TER159-V | SR-40-34 | 21 |
| 7-15/16 | SAF 22544 | SAF 544 | 22244K | SNW 44 | LER 167 | LOR167 | TER167-V | SR-44-38 | 23 |

SERIES SAF 226-PILLOW BLOCK PART NUMBER

| Shaft Dia. S-1 in. | Complete Pillow Block Number | Pillow Block Housing Only | Bearing Number | Adapter Sleeve | Labyrinth Seal Ring (2 Req'd) | LOR Seal Ring (2 Req'd) | Taconite Seal (2 Req'd) | Stabilizing Ring (1 Req'd) | End Plug (EPR) |
|--------------------------|---------------------------------|------------------------------|-------------------|-------------------|-------------------------------------|----------------------------|----------------------------|----------------------------------|----------------------|
| 1-7/16 | SAF 22609 | SAF 609 | 22309K | SNW 109 | LER 17 | LOR 17 | TER 17-V | SR-11- 9 | 3 |
| 1-11/16 | SAF 22610 | SAF 610 | 22310K | SNW 110 | LER 20 | LOR 20 | TER 20-V | SR- 0-10 | 4 |
| 1-15/16 | SAF 22611 | SAF 611 | 22311K | SNW 111 | LER 24 | LOR 24 | TER 24-V | SR-13-11 | 5 |
| 2-3/16 | SAF 22613 | SAF 613 | 22313K | SNW 113 | LER 32 | LOR 29 | TER 29-V | SR-16-13 | 6 |
| 2-7/16 | SAF 22615 | SAF 615 | 22315K | SNW 115 | LER 37 | LOR 37 | TER 37-V | SR-18-15 | 7 |
| 2-11/16 | SAF 22616 | SAF 616 | 22316K | SNW 116 | LER 44 | LOR 44 | TER 44-V | SR-19-16 | 8 |
| 2-15/16 | SAF 22617 | SAF 617 | 22317K | SNW 117 | LER 184 | LOR 53 | TER 53-V | SR-20-17 | 10 |
| 3-3/16 | SAF 22618 | SAF 618 | 22318K | SNW 118 | LER 188 | LOR188 | TER188-V | SR-21-18 | 11 |
| 3-7/16 | SAF 22620 | SAF 620 | 22320K | SNW 120 | LER 102 | LOR102 | TER102-V | SR-24-20 | 12 |
| 3-15/16 | SAF 22622 | SAF 622 | 22322K | SNW 122 | LER 109 | LOR109 | TER109-V | SR- 0-22 | 13 |
| 4-3/16 | SAF 22624 | SAF 624 | 22324K | SNW 124 | LER 113 | LOR113 | TER113-V | SR- 0-24 | 14 |
| 4-7/16 | SAF 22626 | SAF 626 | 22326K | SNW 126 | LER 117 | LOR117 | TER117-V | SR- 0-26 | 15 |
| 4-15/16 | SAF 22628 | SAF 628 | 22328K | SNW 128 | LER 122 | LOR122 | TER122-V | SR- 0-28 | 27 |
| 5-3/16 | SAF 22630 | SAF 630 | 22330K | SNW 130 | LER 125 | LOR125 | TER125-V | SR-36-30 | 16 |
| 5-7/16 | SAF 22632 | SAF 632 | 22332K | SNW 132 | LER 130 | LOR130 | TER130-V | SR-38-32 | 16 |
| 5-15/16 | SAF 22634 | SAF 634 | 22334K | SNW 134 | LER 140 | LOR140 | TER140-V | SR-40-34 | 18 |
| 6-7/16 | SAF 22636 | SAF 636 | 22336K | SNW 136 | LER 148 | LOR148 | TER148-V | SR- 0-36 | 19 |
| 6-15/16 | SAF 22638 | SAF 638 | 22338K | SNW 138 | LER 155 | LOR155 | TER155-V | SR-44-38 | 20 |
| 7-3/16 | SAF 22640 | SAF 640 | 22340K | SNW 140 | LER 159 | LOR159 | TER159-V | SR- 0-40 | 21 |



for SAF200/300

- 1.Extra RIB to enhance the strength of housing base.
- 2.Solid base(SAF216-FSA217)gives extra strength at housing base.
- 3.Pry slot for easier dismounting housing.
- 4.Drain holes could be adapted with oil glass for oil lube.

SERIES SAF 200-HOUSING DIMENSIONS

| Housing No. * § † | A | B | b | G | E | | E1 | H | L | 2-Bolt Base | | 4-Bolt Base | | Bolts (No. Req'd) | | Wt. in | D | F |
|----------------------|---------|--------|-------|--------|--------|----------|----------|----------|--------|-------------|------|-------------|------|-------------------|-------|--------|-------|----|
| | h13 | in. | in. | in. | in. | Max. in. | Min. in. | in. | in. | in. | u | v | u1 | v1 | in. | lbs. * | H7 mm | mm |
| SAF 216† | 3-1/2 | 13 | 3-1/2 | 1-1/4 | 11 | 9-5/8 | 2-1/8 | 6-15/16 | 5-3/8 | 22.2 | 39.7 | 19.0 | 36.5 | (2)-3/4 (4)-5/8 | 23.6 | 140 | 43 | |
| SAF 217† | 3-3/4 | 13 | 3-1/2 | 1-1/4 | 11 | 9-7/8 | 2-1/8 | 7-3/8 | 5-3/8 | 22.2 | 36.5 | 19.0 | 33.3 | (2)-3/4 (4)-5/8 | 29.5 | 150 | 46 | |
| SAF 218† | 4 | 13-3/4 | 3-7/8 | 1-5/16 | 11-5/8 | 10-3/8 | 2-1/8 | 7-3/4 | 5-3/4 | 22.2 | 38.1 | 19.0 | 34.9 | (2)-3/4 (4)-5/8 | 35.5 | 160 | 50 | |
| SAF 220† | 4-1/2 | 15-1/4 | 4-3/8 | 1-3/4 | 13-1/8 | 11-5/8 | 2-3/8 | 8-3/4 | 6 | 25.4 | 44.5 | 22.2 | 41.2 | (2)-7/8 (4)-3/4 | 52.2 | 180 | 56 | |
| SAF 222 | 4-15/16 | 16-1/2 | 4-3/4 | 2 | 14-1/2 | 12-5/8 | 2-3/4 | 9-5/8 | 6-1/2 | - | - | 22.2 | 46.0 | (4)-3/4 | 66.7 | 200 | 63 | |
| SAF 224 | 5-1/4 | 16-1/2 | 4-3/4 | 2-1/8 | 14-1/2 | 13-1/4 | 2-3/4 | 10-1/4 | 7-3/8 | - | - | 22.2 | 38.0 | (4)-3/4 | 70.3 | 215 | 68 | |
| SAF 226 | 6 | 18-3/8 | 5-1/8 | 2-3/8 | 16 | 14-5/8 | 3-1/4 | 11-1/2 | 8 | - | - | 25.4 | 42.9 | (4)-7/8 | 106.2 | 230 | 74 | |
| SAF 228 | 6 | 20-1/8 | 5-7/8 | 2-3/8 | 17-1/8 | 16 | 3-3/8 | 11-3/4 | 7-5/8 | - | - | 28.4 | 42.7 | (4)-1 | 116.5 | 250 | 78 | |
| SAF 230 | 6-5/16 | 21-1/4 | 6-1/4 | 2-1/2 | 18-1/4 | 17 | 3-3/4 | 12-1/2 | 8-3/8 | - | - | 28.4 | 44.3 | (4)-1 | 151.1 | 270 | 83 | |
| SAF 232 | 6-11/16 | 22 | 6-1/4 | 2-5/8 | 19-1/4 | 17-3/8 | 3-3/4 | 13-5/16 | 8-3/4 | - | - | 28.4 | 52.3 | (4)-1 | 174.8 | 290 | 90 | |
| SAF 234 | 7-1/16 | 24-3/4 | 6-3/4 | 2-3/4 | 21-5/8 | 19-3/8 | 4-1/4 | 14-3/16 | 9-5/8 | - | - | 28.4 | 57.0 | (4)-1 | 184.7 | 310 | 96 | |
| SAF 236 | 7-1/2 | 26-3/4 | 7-1/8 | 3 | 23-5/8 | 20-7/8 | 4-5/8 | 14-7/8 | 10 | - | - | 28.4 | 63.3 | (4)-1 | 218.5 | 320 | 96 | |
| SAF 238 | 7-7/8 | 28 | 7-1/2 | 3-1/8 | 24-3/8 | 21-5/8 | 4-1/2 | 15-11/16 | 10-3/4 | - | - | 35.0 | 66.8 | (4)-1 1/4 | 293.3 | 340 | 102 | |
| SAF 240 | 8-1/4 | 29-1/2 | 8 | 3-3/8 | 25 | 22-1/2 | 5 | 16-1/2 | 11-1/4 | - | - | 35.0 | 66.8 | (4)-1 1/4 | 352.6 | 360 | 108 | |
| SAF 244 | 9-1/2 | 32-3/4 | 8-3/4 | 3-3/4 | 27-7/8 | 24-3/4 | 5-1/4 | 18-5/8 | 12 | - | - | 42.8 | 82.5 | (4)-1 1/2 | 439.3 | 400 | 118 | |

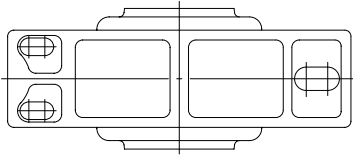
SERIES SAF 300-HOUSING DIMENSIONS

| Housing No. * § † | A | B | b | G | E | | E1 | H | L | 2-Bolt Base | | 4-Bolt Base | | Bolts (No. Req'd) | | Wt. in | D | F |
|----------------------|---------|---------|-------|--------|--------|----------|----------|----------|---------|-------------|------|-------------|-------|-------------------|-------|--------|-------|----|
| | h13 | in. | in. | in. | in. | Max. in. | Min. in. | in. | in. | in. | u | v | u1 | v1 | in. | lbs. * | H7 mm | mm |
| SAF 308 | 2-1/2 | 8-1/4 | 2-3/8 | 1 | 7 | 6-1/2 | | 4-13/16 | 4 | 16.0 | 25.5 | - | - | (2)-1/2 | 11.5 | 90 | 42.8 | |
| SAF 310 | 2-3/4 | 9-5/8 | 2-3/4 | 1 | 7-7/8 | 7-3/8 | | 5-5/16 | 4-1/4 | 19.0 | 25.4 | - | - | (2)-5/8 | 14.7 | 100 | 46 | |
| SAF 309 | 3 | 10-5/8 | 2-3/4 | 1-1/8 | 9 | 7-3/4 | | 5-13/16 | 4-5/8 | 19.0 | 34.9 | - | - | (2)-5/8 | 18.3 | 110 | 51 | |
| SAF 311† | 3-1/4 | 11 | 3-1/8 | 1-3/16 | 9-1/2 | 8-1/8 | 2 | 6-3/16 | 5 | 19.0 | 36.5 | 16.0 | 33.5 | (2)-5/8 (4)-1/2 | 20.8 | 120 | 53 | |
| SAF 313† | 3-1/2 | 13 | 3-1/2 | 1-1/4 | 11 | 9-5/8 | 2-1/8 | 6-15/16 | 5-3/8 | 22.2 | 36.7 | 19.0 | 36.5 | (2)-3/4 (4)-5/8 | 29.5 | 140 | 58 | |
| SAF 314 | 3-3/4 | 12-9/32 | 3-1/2 | 1-1/4 | 11 | 9-7/8 | 2-1/8 | 7-3/8 | 4-31/32 | 22.2 | 36.7 | 19.0 | 36.5 | (2)-3/4 (4)-5/8 | 29.5 | 150 | 61 | |
| SAF 315 | 4 | 13-3/4 | 3-7/8 | 1-5/16 | 11-5/8 | 10-3/8 | 2-1/8 | 7-13/16 | 6-1/4 | 22.2 | 38.1 | 19.0 | 34.9 | (2)-3/4 (4)-5/8 | 40.8 | 160 | 65 | |
| SAF 316 | 4-1/4 | 14-1/4 | 3-7/8 | 1-5/16 | 12-5/8 | 10-5/8 | 2-1/8 | 8-1/4 | 6-1/2 | 22.2 | 47.6 | 19.0 | 44.4 | (2)-3/4 (4)-5/8 | 51.3 | 170 | 68 | |
| SAF 317 | 4-1/2 | 15-1/4 | 4-3/8 | 1-3/4 | 13-1/8 | 11-5/8 | 2-3/8 | 8-3/4 | 6-3/4 | 25.4 | 44.5 | 22.2 | 41.3 | (2)-7/8 (4)-3/4 | 55.3 | 180 | 70 | |
| SAF 318 | 4-3/4 | 15-1/2 | 4-3/8 | 2 | 13-1/2 | 12 | 2-1/4 | 9-3/16 | 6-7/8 | - | - | 22.2 | 41.3 | (4)-3/4 | 64.9 | 190 | 74 | |
| SAF 320 | 5-1/4 | 16-1/2 | 4-3/4 | 2-1/8 | 14-1/2 | 13-1/4 | 2-3/4 | 10-1/4 | 7-3/8 | - | - | 22.2 | 38.1 | (4)-3/4 | 80.3 | 215 | 83 | |
| SAF 322 | 6 | 18-3/8 | 5-1/8 | 2-3/8 | 16 | 14-5/8 | 3-1/4 | 11-1/2 | 8 | - | - | 25.4 | 42.9 | (4)-7/8 | 99.4 | 240 | 90 | |
| SAF 324 | 6-5/16 | 21-1/4 | 6-1/4 | 2-1/2 | 18-1/4 | 17 | 3-3/4 | 12-1/2 | 8-3/8 | - | - | 28.4 | 44.3 | (4)-1 | 146.4 | 260 | 96 | |
| SAF 326 | 6-11/16 | 22 | 6-1/4 | 2-5/8 | 19-1/4 | 17-3/8 | 3-3/4 | 13-5/16 | 8-3/4 | - | - | 28.4 | 55 | (4)-1 | 181.6 | 280 | 103 | |
| SAF 328 | 7-1/16 | 24-3/4 | 6-3/4 | 2-3/4 | 21-5/8 | 19-3/8 | 4-1/4 | 14-3/16 | 9-5/8 | - | - | 28.4 | 57.0 | (4)-1 | 214.0 | 300 | 112 | |
| SAF 330 | 7-1/2 | 26-3/4 | 7-1/8 | 3 | 23-5/8 | 20-7/8 | 4-5/8 | 14-7/8 | 9-3/4 | - | - | 28.4 | 63.3 | (4)-1 | 256.6 | 320 | 118 | |
| SAF 332 | 7-7/8 | 28 | 7-1/2 | 3-1/8 | 24-3/8 | 21-5/8 | 4-1/2 | 15-11/16 | 10-3/4 | - | - | 35.0 | 66.8 | (4)-1 1/4 | 298.3 | 340 | 124 | |
| SAF 334 | 8-1/4 | 29-1/2 | 8 | 3-3/8 | 25 | 22-1/2 | 5 | 16-1/2 | 11-1/4 | - | - | 35.0 | 66.8 | (4)-1 1/4 | 355.7 | 360 | 130 | |
| SAF 336 | 8-7/8 | 31-1/4 | 8-1/4 | 3-1/2 | 26-5/8 | 24 | 5-1/4 | 17-3/4 | 11-3/8 | - | - | 35.0 | 68.4 | (4)-1 1/4 | 380.3 | 380 | 136 | |
| SAF 338 | 9-1/2 | 32-3/4 | 8-3/4 | 3-3/4 | 27-7/8 | 24-3/4 | 5-1/4 | 18-5/8 | 12 | - | - | 42.8 | 82.55 | (4)-1 1/2 | 449.6 | 400 | 142 | |
| SAF 340 | 9-7/8 | 34-1/4 | 9 | 4 | 29-1/2 | 26-1/4 | 5-1/2 | 20 | 12-1/16 | - | - | 42.8 | 82.55 | (4)-1 1/2 | 493.0 | 420 | 148 | |

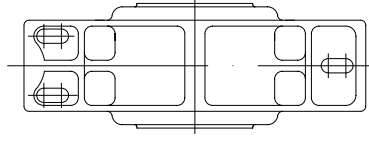
Notes: For stepped shaft bore, use SAFZ2xx/SAFZ3xx
For same shaft bore, use SAF2xx/SAF3xx

NOTES:

- * Basic housing does not include bearing and accessories. The weight is subject to change.
- § For float unit application, order 1-housing, 2-labyrinth seals, 1-locknut and 1-lockwasher. For fixed unit application, add 1-stabilizing ring to the above.
- † 4-hole base is also available and must be marked with a prefix F . SAF 222 and SAF 318 and up are standard 4-hole base.
- ※ LOR is also available



for SAF216~217
SAF308~317



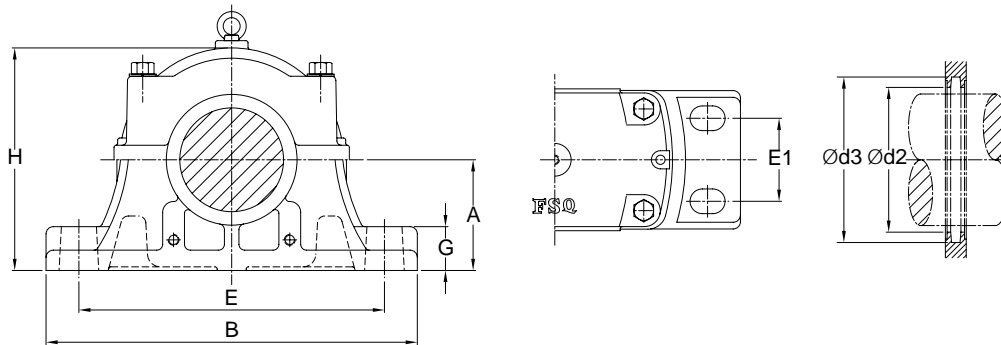
for SAF218~244
SAF318~340

SERIES SAF 222-PILLOW BLOCK PART NUMBERS

| Shaft Dia. | | | | | | Complete Pillow Block Number | Pillow Block Housing Only | Bearing Number | Lock-nut | Lock-washer | Labyrinth Seal Ring | | Stabilizing Ring (1 Req'd) | End Plug (EPR) |
|------------|------------|------------|---------|------------|------------|------------------------------|---------------------------|----------------|----------|-------------|---------------------|---------------------|----------------------------|----------------|
| S-2 in. | d2(H12) mm | d3(H12) mm | S-3 in. | d2(H12) mm | d3(H12) mm | | | | | | S-2 Shaft (1 Req'd) | S-3 Shaft (1 Req'd) | | |
| 3-5/8 | 96.9 | 110.06 | 3 | 83.7 | 96.85 | SAF 22216 | SAF 216 | 22216 | N 16 | W 16 | LER 82 | LER 54 | SR-16-13 | 9 |
| 3-15/16 | 106.43 | 119.59 | 3-3/16 | 90.55 | 103.71 | SAF 22217 | SAF 217 | 22217 | N 17 | W 17 | LER 89 | LER 63 | SR-17-14 | 9 |
| 4-1/8 | 113.8 | 132.84 | 3-3/8 | 91.06 | 110.11 | SAF 22218 | SAF 218 | 22218 | N 18 | W 18 | LER 112 | LER 191 | SR-18-15 | 11 |
| 4-1/2 | 121.74 | 140.8 | 3-13/16 | 102.18 | 121.23 | SAF 22220 | SAF 220 | 22220 | N 20 | W 20 | LER 118 | LER 106 | SR-20-17 | 12 |
| 4-7/8 | 132.84 | 151.9 | 4-3/16 | 113.8 | 132.84 | SAF 22222 | SAF 222 | 22222 | N 22 | W 22 | LER 121 | LER 113 | SR-22-19 | 14 |
| 5-5/16 | 142.88 | 161.93 | 4-9/16 | 121.74 | 140.8 | SAF 22224 | SAF 224 | 22224 | N 24 | W 24 | LER 127 | LER 119 | SR-24-20 | 15 |
| 5-7/8 | 157.18 | 176.23 | 4-15/16 | 132.84 | 151.9 | SAF 22226 | SAF 226 | 22226 | N 26 | W 26 | LER 136 | LER 122 | SR-26- 0 | 27 |
| 6-1/4 | 167.46 | 186.51 | 5-5/16 | 142.88 | 161.93 | SAF 22228 | SAF 228 | 22228 | N 28 | W 28 | LER 144 | LER 127 | SR-28- 0 | 16 |
| 6-5/8 | 176.99 | 196.04 | 5-3/4 | 157.18 | 176.23 | SAF 22230 | SAF 230 | 22230 | N 30 | W 30 | LER 151 | LER 134 | SR-30- 0 | 17 |
| 7 | 187.53 | 212.93 | 6-1/16 | 161.11 | 186.51 | SAF 22232 | SAF 232 | 22232 | N 32 | W 32 | LER 156 | LER 142 | SR-32- 0 | 18 |
| 7-7/16 | 201.8 | 227.2 | 6-7/16 | 172.21 | 197.61 | SAF 22234 | SAF 234 | 22234 | N 34 | W 34 | LER 161 | LER 148 | SR-34- 0 | 19 |
| 7-13/16 | 211.84 | 237.24 | 6-7/8 | 187.53 | 212.93 | SAF 22236 | SAF 236 | 22236 | N 36 | W 36 | LER 165 | LER 154 | SR-36-30 | 20 |
| 8-3/8 | 224.54 | 249.94 | 7-1/4 | 192.28 | 217.68 | SAF 22238 | SAF 238 | 22238 | N 38 | W 38 | LER 171 | LER 160 | SR-38-32 | 21 |
| 8-3/4 | 234.06 | 259.46 | 7-5/8 | 201.8 | 227.2 | SAF 22240 | SAF 240 | 22240 | N 40 | W 40 | LER 175 | LER 164 | SR-40-34 | 22 |
| 9-9/16 | 254.71 | 280.11 | 8-5/16 | 224.54 | 249.94 | SAF 22244 | SAF 244 | 22244 | N 44 | W 44 | LER 179 | LER 170 | SR-44-38 | 24 |

SERIES SAF 223-PILLOW BLOCK PART NUMBERS

| Shaft Dia. | | | | | | Complete Pillow Block Number | Pillow Block Housing Only | Bearing Number | Lock-nut | Lock-washer | Labyrinth Seal Ring | | Stabilizing Ring (1 Req'd) | End Plug (EPR) |
|------------|------------|------------|---------|------------|------------|------------------------------|---------------------------|----------------|----------|-------------|---------------------|---------------------|----------------------------|----------------|
| S-2 in . | d2(H12) mm | d3(H12) mm | S-3 in. | d2(H12) mm | d3(H12) mm | | | | | | S-2 Shaft (1 Req'd) | S-3 Shaft (1 Req'd) | | |
| 1-15/16 | 54.36 | 65.1 | 1-7/16 | 41.66 | 52.4 | SAF 22308 | SAF 308 | 22308 | N 08 | W 08 | LER 24 | LER 17 | SR-10- 8 | 3 |
| 2-1/8 | 60.96 | 71.7 | 1-11/16 | 48 | 58.75 | SAF 22309 | SAF 309 | 22309 | N 09 | W 09 | LER 28 | LER 20 | SR-11- 9 | 4 |
| 2-3/8 | 64.14 | 74.88 | 1-7/8 | 54.36 | 65.1 | SAF 22310 | SAF 310 | 22310 | N 10 | W 10 | LER 35 | LER 23 | SR- 0-10 | 4 |
| 2-9/16 | 70.49 | 81.23 | 2-1/16 | 60.96 | 71.7 | SAF 22311 | SAF 311 | 22311 | N 11 | W 11 | LER 40 | LER 27 | SR-13-11 | 6 |
| 3-1/16 | 83.7 | 96.85 | 2-7/16 | 67.82 | 80.98 | SAF 22313 | SAF 313 | 22313 | N 13 | W 13 | LER 55 | LER 37 | SR-16-13 | 7 |
| 3-1/4 | 90.55 | 103.71 | 2-5/8 | 77.34 | 90.48 | SAF 22314 | SAF 314 | 22314 | N 14 | W 14 | LER 64 | LER 43 | SR-17-14 | 8 |
| 3-7/16 | 90.55 | 110.06 | 2-13/16 | 77.34 | 90.48 | SAF 22315 | SAF 315 | 22315 | N 15 | W 15 | LER 79 | LER 46 | SR-18-15 | 8 |
| 3-5/8 | 102.18 | 121.23 | 3 | 81.03 | 100.08 | SAF 22316 | SAF 316 | 22316 | N 16 | W 16 | LER 84 | LER 60 | SR-19-16 | 10 |
| 3-15/16 | 106.93 | 125.98 | 3-3/16 | 91.06 | 110.11 | SAF 22317 | SAF 317 | 22317 | N 17 | W 17 | LER 109 | LER 188 | SR-20-17 | 11 |
| 4-1/8 | 113.8 | 132.84 | 3-3/8 | 91.06 | 110.11 | SAF 22318 | SAF 318 | 22318 | N 18 | W 18 | LER 112 | LER 191 | SR-21-18 | 11 |
| 4-1/2 | 121.74 | 140.8 | 3-13/16 | 102.18 | 121.23 | SAF 22320 | SAF 320 | 22320 | N 20 | W 20 | LER 118 | LER 106 | SR-24-20 | 12 |
| 4-7/8 | 132.84 | 151.89 | 4-3/16 | 113.8 | 132.84 | SAF 22322 | SAF 322 | 22322 | N 22 | W 22 | LER 121 | LER 113 | SR- 0-22 | 14 |
| 5-5/16 | 142.88 | 161.93 | 4-9/16 | 121.74 | 140.8 | SAF 22324 | SAF 324 | 22324 | N 24 | W 24 | LER 127 | LER 119 | SR- 0-24 | 15 |
| 5-7/8 | 157.18 | 176.23 | 4-15/16 | 132.84 | 151.9 | SAF 22326 | SAF 326 | 22326 | N 26 | W 26 | LER 136 | LER 122 | SR- 0-26 | 27 |
| 6-1/4 | 167.46 | 186.51 | 5-5/16 | 142.88 | 161.93 | SAF 22328 | SAF 328 | 22328 | N 28 | W 28 | LER 144 | LER 127 | SR- 0-28 | 16 |
| 6-5/8 | 176.99 | 196.04 | 5-3/4 | 157.18 | 176.23 | SAF 22330 | SAF 330 | 22330 | N 30 | W 30 | LER 151 | LER 134 | SR-36-30 | 17 |
| 7 | 187.53 | 212.93 | 6-1/16 | 161.11 | 186.51 | SAF 22332 | SAF 332 | 22332 | N 32 | W 32 | LER 156 | LER 142 | SR-38-32 | 18 |
| 7-7/16 | 201.8 | 227.2 | 6-7/16 | 172.21 | 197.61 | SAF 22334 | SAF 334 | 22334 | N 34 | W 34 | LER 161 | LER 148 | SR-40-34 | 19 |
| 7-13/16 | 211.84 | 237.24 | 6-7/8 | 187.53 | 212.93 | SAF 22336 | SAF 336 | 22336 | N 36 | W 36 | LER 165 | LER 154 | SR- 0-36 | 20 |
| 8-3/8 | 224.54 | 249.94 | 7-1/4 | 192.28 | 217.68 | SAF 22338 | SAF 338 | 22338 | N 38 | W 38 | LER 171 | LER 160 | SR-44-38 | 21 |
| 8-3/4 | 234.06 | 259.46 | 7-5/8 | 201.8 | 227.2 | SAF 22340 | SAF 340 | 22340 | N 40 | W 40 | LER 175 | LER 164 | SR- 0-40 | 22 |

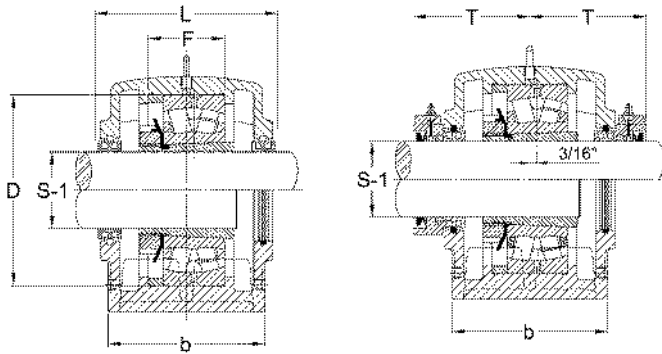


SERIES SDAF 500-HOUSING DIMENSIONS

| Housing No. * § | A h13 | B | b | G | E | | E1 | H | L | T | Boles (No.Req'd) | Wt. in lbs. * | D H7 mm | F mm | d2(H12) mm | d3(H12) mm |
|--------------------|----------|--------|--------|-------|----------|----------|-------|----------|---------|---------|---------------------|------------------|---------------|---------|---------------|---------------|
| | in. | in. | in. | in. | Max. in. | Min. in. | in. | in. | in. | in. | in. | in. | mm | mm | mm | mm |
| SDAF 520 | 4-1/2 | 15-1/4 | 6 | 1-7/8 | 13-1/8 | 11-5/8 | 3-3/8 | 8-15/16 | 6-3/4 | 4-3/4 | (4)-3/4 | 64.8 | 180 | 55.8 | 95.83 | 114.88 |
| SDAF 522 | 4-15/16 | 16-1-2 | 6-3/4 | 2-1/8 | 14-1/2 | 12-5/8 | 4 | 9-7/8 | 7-1/4 | 4-7/8 | (4)-7/8 | 96.1 | 200 | 62.8 | 110.11 | 129.16 |
| SDAF 524 | 5-1/4 | 16-1/2 | 6-7/8 | 2-1/4 | 14-1/2 | 13-1/4 | 4-1/8 | 10-1/2 | 7-3/8 | 4-15/16 | (4)-7/8 | 107.3 | 215 | 67.8 | 113.8 | 132.84 |
| SDAF 526 | 6 | 18-3/8 | 7-1/2 | 2-3/8 | 16 | 14-5/8 | 4-12 | 11-7/8 | 8 | 5-1/4 | (4)-1 | 147.2 | 230 | 73.8 | 121.74 | 140.8 |
| SDAF 528 | 6 | 20-1/8 | 7-1/2 | 2-3/8 | 17-1/8 | 16 | 4-1/2 | 12-1/6 | 7-15/16 | 5-5/16 | (4)-1 1/8 | 131.4 | 250 | 77.8 | 132.84 | 151.9 |
| SDAF 530 | 6-5/16 | 21-1/4 | 7-7/8 | 2-1/2 | 18-1/4 | 17 | 4-3/4 | 12-13/16 | 8-3/8 | 5-7/16 | (4)-1 1/8 | 157.1 | 270 | 82.8 | 142.88 | 161.93 |
| SDAF 532 | 6-11/16 | 22 | 8-1/4 | 2-1/2 | 19-1/4 | 17-3/8 | 5 | 13-11/16 | 8-3/4 | 5-5/8 | (4)-1 1/8 | 187.1 | 290 | 89.8 | 146.05 | 171.45 |
| SDAF 534 | 7-1/16 | 24-3/4 | 9 | 2-1/2 | 21-5/8 | 19-3/8 | 5-1/2 | 14-1/4 | 9-5/8 | 5-15/16 | (4)-1 1/4 | 212.3 | 310 | 95.8 | 161.11 | 186.51 |
| SDAF 536 | 7-1/2 | 26-3/4 | 9-3/8 | 2-3/4 | 23-5/8 | 20-7/8 | 5-7/8 | 15-1/2 | 10 | 6-1/8 | (4)-1 1/4 | 292.1 | 320 | 95.8 | 172.21 | 197.61 |
| SDAF 538 | 7-7/8 | 27-5/8 | 10 | 3 | 23-1/2 | 21-1/2 | 6-1/4 | 16-1/4 | 10-5/8 | 6-1/2 | (4)-1 3/8 | 338.4 | 340 | 101.8 | 188.29 | 210.91 |
| SDAF 540 | 8-1/4 | 28-3/4 | 10-1/2 | 3-1/4 | 25 | 23 | 6-3/4 | 17-1/8 | 11-1/8 | 6-7/8 | (4)-1 3/8 | 343.7 | 360 | 107.8 | 196.8 | 219.42 |
| SDAF 544 | 9-1/2 | 32 | 11-1/4 | 3-1/2 | 27-7/8 | 25-5/8 | 7-1/4 | 19-1/4 | 11-7/8 | 7-1/8 | (4)-1 1/2 | 513.0 | 400 | 117.8 | 216.81 | 239.43 |

SERIES SDAF 600-HOUSING DIMENSIONS

| Housing No. * § | A h13 | B | b | G | E | | E1 | H | L | T | Boles (No.Req'd) | Wt. in lbs. * | D H7 mm | F mm | d2(H12) mm | d3(H12) mm |
|--------------------|----------|--------|--------|-------|----------|----------|-------|----------|--------|---------|---------------------|------------------|---------------|---------|---------------|---------------|
| | in. | in. | in. | in. | Max. in. | Min. in. | in. | in. | in. | in. | in. | in. | mm | mm | mm | mm |
| SDAF 616 | 4-1/4 | 14-1/4 | 5-1/2 | 1-3/4 | 12-5/8 | 10-5/8 | 3-1/4 | 8-1/4 | 6-3/8 | 4-1/2 | (4)-5/8 | 49.3 | 170 | 67.8 | 77.34 | 90.48 |
| SDAF 617 | 4-1/2 | 15-1/4 | 6 | 1-7/8 | 13-1/8 | 11-5/8 | 3-3/8 | 8-15/16 | 6-3/4 | 4-11/16 | (4)-3/4 | 67.2 | 180 | 69.8 | 81.03 | 100.08 |
| SDAF 618 | 5-3/4 | 15-1/2 | 6-1/8 | 2 | 13-1/2 | 12 | 3-5/8 | 9-7/16 | 6-7/8 | 4-13/16 | (4)-3/4 | 72.0 | 190 | 73.8 | 91.06 | 110.11 |
| SDAF 620 | 5-1/4 | 16-1/2 | 6-7/8 | 2-1/4 | 14-1/2 | 13-1/4 | 4-1/8 | 10-12 | 7-3/8 | 5-1/16 | (4)-7/8 | 110.3 | 215 | 82.8 | 95.83 | 114.88 |
| SDAF 622 | 6 | 18-3/8 | 7-1/2 | 2-3/8 | 16 | 14-5/8 | 4-1/2 | 11-7/8 | 8 | 5-1/4 | (4)-1 | 147.1 | 240 | 89.8 | 110.11 | 129.16 |
| SDAF 624 | 6-5/16 | 21-1/4 | 7-7/8 | 2-1/2 | 18-1/4 | 17 | 4-3/4 | 12-13/16 | 8-3/8 | 5-7/16 | (4)-1 1/8 | 171.7 | 260 | 95.8 | 113.8 | 132.84 |
| SDAF 626 | 6-11/16 | 22 | 8-1/4 | 2-1/2 | 19-1/4 | 17-3/8 | 5 | 13-11/16 | 8-3/4 | 5-5/8 | (4)-1 1/8 | 193.5 | 280 | 102.8 | 121.74 | 140.8 |
| SDAF 628 | 7-1/16 | 24-3/4 | 9 | 2-1/2 | 21-5/8 | 19-3/8 | 5-1/2 | 14-1/4 | 9-3/8 | 6 | (4)-1 1/4 | 228.3 | 300 | 111.8 | 132.84 | 151.9 |
| SDAF 630 | 7-1/2 | 26-3/4 | 9-3/8 | 2-3/4 | 23-5/8 | 20-7/8 | 5-7/8 | 15-3/16 | 9-3/4 | 6-1/8 | (4)-1 1/4 | 300.2 | 320 | 117.8 | 142.88 | 161.93 |
| SDAF 632 | 7-7/8 | 27-5/8 | 10 | 3 | 23-1/2 | 21-1/2 | 6-1/4 | 16-1/4 | 10-5/8 | 6-1/2 | (4)-1 3/8 | 355.1 | 340 | 123.8 | 148.58 | 171.2 |
| SDAF 634 | 8-1/4 | 28-3/4 | 10-1/2 | 3-1/4 | 25 | 23 | 6-3/4 | 17-1/8 | 11-1/8 | 6-3/4 | (4)-1 3/8 | 393.8 | 360 | 129.8 | 161.3 | 183.92 |
| SDAF 636 | 8-7/8 | 30-1/2 | 10-3/4 | 3-1/4 | 26-3/8 | 24-1/8 | 6-7/8 | 17-15/16 | 11-3/8 | 6-7/8 | (4)-1 1/2 | 404.7 | 380 | 135.8 | 172.72 | 195.34 |
| SDAF 638 | 9-1/2 | 32 | 11-1/4 | 3-1/2 | 27-7/8 | 25-5/8 | 7-1/4 | 19-1/4 | 11-7/8 | 7-1/8 | (4)-1 1/2 | 484.4 | 400 | 141.8 | 188.29 | 210.91 |
| SDAF 640 | 9-7/8 | 33-1/2 | 11-3/4 | 3-1/2 | 29-1/4 | 26-5/8 | 7-5/8 | 19-15/16 | 12-3/8 | 7-1/2 | (4)-1 5/8 | 564.1 | 420 | 147.8 | 196.8 | 219.42 |



TACONITE Seal OPTION

NOTES:

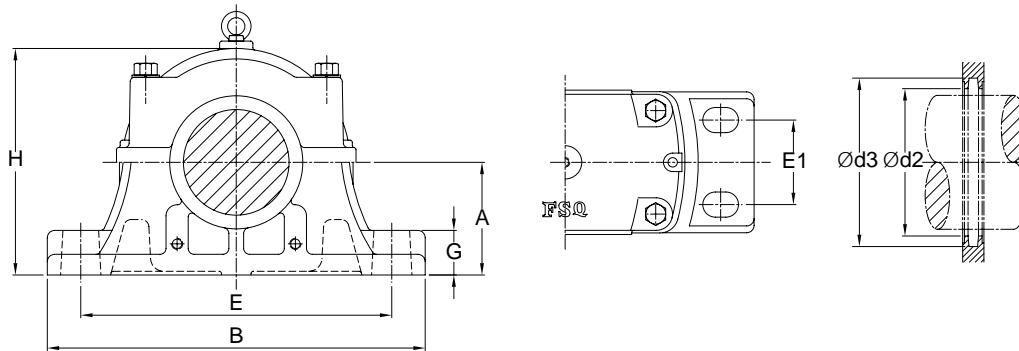
- ★ Basic housing does not include bearing and accessories. The weight is subject to change.
- § For float unit application, order 1-housing, 2-labyrinth seals, 1-adapter sleeve.
For fixed unit application, add 1-stabilizing ring to the above.

SERIES SDAF 225-PILLOW BLOCK PART NUMBERS

| Shaft Diameter S-1 in. | Complete Pillow Block Number | Pillow Block Housing Only | Bearing Number | Adapter Sleeve | Lab. Seal Ring (2 Required) | Stabilizing Ring (1 required) | End Plug (EPR) |
|------------------------------|---------------------------------|------------------------------|-------------------|----------------|-----------------------------------|-------------------------------------|----------------------|
| 3-7/16 | SDAF 22520 | SDAF 520 | 22220 K | SNW 20 | LER 75 | SR-20-17 | 11 |
| 3-15/16 | SDAF 22522 | SDAF 522 | 22222 K | SNW 22 | LER 93 | SR-22-19 | 13 |
| 4-3/16 | SDAF 22524 | SDAF 524 | 22224 K | SNW 24 | LER 113 | SR-24-20 | 14 |
| 4-7/16 | SDAF 22526 | SDAF 526 | 22226 K | SNW 26 | LER 117 | SR-26- 0 | 15 |
| 4-15/16 | SDAF 22528 | SDAF 528 | 22228 K | SNW 28 | LER 122 | SR-28- 0 | 27 |
| 5-3/16 | SDAF 22530 | SDAF 530 | 22230 K | SNW 30 | LER 125 | SR-30- 0 | 16 |
| 5-7/16 | SDAF 22532 | SDAF 532 | 22232 K | SNW 32 | LER 130 | SR-32- 0 | 16 |
| 5-15/16 | SDAF 22534 | SDAF 534 | 22234 K | SNW 34 | LER 140 | SR-34- 0 | 18 |
| 6-7/16 | SDAF 22536 | SDAF 536 | 22236 K | SNW 36 | LER 148 | SR-36-30 | 19 |
| 6-15/16 | SDAF 22538 | SDAF 538 | 22238 K | SNW 38 | LER 224 | SR-38-32 | 21 |
| 7-3/16 | SDAF 22540 | SDAF 540 | 22240 K | SNW 40 | LER 228 | SR-40-34 | 22 |
| 7-15/16 | SDAF 22544 | SDAF 544 | 22244 K | SNW 44 | LER 236 | SR-44-38 | 24 |

SERIES SDAF 226-PILLOW BLOCK PART NUMBERS

| Shaft Diameter S-1 in. | Complete Pillow Block Number | Pillow Block Housing Only | Bearing Number | Adapter sleeve | Lab. Seal Ring (2 Required) | Stabilizing Ring (1 required) | End Plug (EPR) |
|------------------------------|---------------------------------|------------------------------|-------------------|----------------|-----------------------------------|-------------------------------------|----------------------|
| 2-11/16 | SDAF 22616 | SDAF 616 | 22316 K | SNW 116 | LER 44 | SR-19-16 | 8 |
| 2-15/16 | SDAF 22617 | SDAF 617 | 22317 K | SNW 117 | LER 59 | SR-20-17 | 10 |
| 3-3/16 | SDAF 22618 | SDAF 618 | 22318 K | SNW 118 | LER 69 | SR-21-18 | 11 |
| 3-7/16 | SDAF 22620 | SDAF 620 | 22320 K | SNW 120 | LER 75 | SR-24-20 | 11 |
| 3-15/16 | SDAF 22622 | SDAF 622 | 22322 K | SNW 122 | LER 93 | SR- 0-22 | 13 |
| 4-3/16 | SDAF 22624 | SDAF 624 | 22324 K | SNW 124 | LER 113 | SR- 0-24 | 14 |
| 4-7/16 | SDAF 22626 | SDAF 626 | 22326 K | SNW 126 | LER 117 | SR- 0-26 | 15 |
| 4-15/16 | SDAF 22628 | SDAF 628 | 22328 K | SNW 128 | LER 122 | SR- 0-28 | 27 |
| 5-3/16 | SDAF 22630 | SDAF 630 | 22330 K | SNW 130 | LER 125 | SR-36-30 | 16 |
| 5-7/16 | SDAF 22632 | SDAF 632 | 22332 K | SNW 132 | LER 211 | SR-38-32 | 17 |
| 5-15/16 | SDAF 22634 | SDAF 634 | 22334 K | SNW 134 | LER 215 | SR-40-34 | 19 |
| 6-7/16 | SDAF 22636 | SDAF 636 | 22336 K | SNW 136 | LER 220 | SR- 0-36 | 26 |
| 6-15/16 | SDAF 22638 | SDAF 638 | 22338 K | SNW 138 | LER 224 | SR-44-38 | 21 |
| 7-3/16 | SDAF 22640 | SDAF 640 | 22340 K | SNW 140 | LER 228 | SR- 0-40 | 22 |



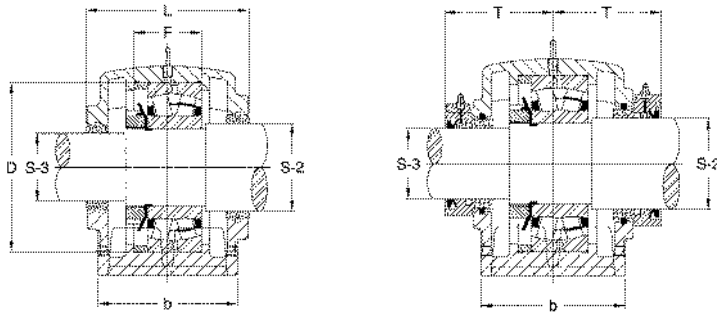
SERIES SDAF 200-HOUSING DIMENSIONS

| Housing No. * § † | A h13 | B | b | G | E | | E1 | H | L | T | Bolts (No. Req'd) | Wt. in lbs. * | D H7 mm | F mm |
|----------------------|----------|--------|--------|-------|----------|----------|-------|----------|---------|---------|----------------------|---------------------|---------------|---------|
| | in. | in. | in. | in. | Max. in. | Min. in. | in. | in. | in. | in. | | | | |
| SDAF 220 | 4-1/2 | 15-1/4 | 6 | 1-7/8 | 13-1/8 | 11-5/8 | 3-3/8 | 8-15/16 | 6-3/4 | 4-11/16 | (4)-3/4 | 64.8 | 180 | 55.8 |
| SDAF 222 | 4-15/16 | 16-1-2 | 6-3/4 | 2-1/8 | 14-1/2 | 12-5/8 | 4 | 9-7/8 | 7-1/4 | 4-7/8 | (4)-7/8 | 100.0 | 200 | 62.8 |
| SDAF 224 | 5-1/4 | 16-1/2 | 6-7/8 | 2-1/4 | 14-1/2 | 13-1/4 | 4-1/8 | 10-1/2 | 7-3/8 | 4-15/16 | (4)-7/8 | 106.7 | 215 | 67.8 |
| SDAF 226 | 6 | 18-3/8 | 7-1/2 | 2-3/8 | 16 | 14-5/8 | 4-12 | 11-7/8 | 8 | 5-1/4 | (4)-1 | 147.2 | 230 | 73.8 |
| SDAF 228 | 6 | 20-1/8 | 7-1/2 | 2-3/8 | 17-1/8 | 16 | 4-1/2 | 12-1/6 | 7-15/16 | 5-5/16 | (4)-1 1/8 | 141.7 | 250 | 77.8 |
| SDAF 230 | 6-5/16 | 21-1/4 | 7-7/8 | 2-1/2 | 18-1/4 | 17 | 4-3/4 | 12-13/16 | 8-3/8 | 5-7/16 | (4)-1 1/8 | 157.1 | 270 | 82.8 |
| SDAF 232 | 6-11/16 | 22 | 8-1/4 | 2-1/2 | 19-1/4 | 17-3/8 | 5 | 13-11/16 | 8-3/4 | 5-5/8 | (4)-1 1/8 | 187.1 | 290 | 89.8 |
| SDAF 234 | 7-11/16 | 24-3/4 | 9 | 2-1/2 | 21-5/8 | 19-3/8 | 5-1/2 | 14-1/4 | 9-5/8 | 6-1/16 | (4)-1 1/4 | 212.3 | 310 | 95.8 |
| SDAF 236 | 7-1/2 | 26-3/4 | 9-3/8 | 2-3/4 | 23-5/8 | 20-7/8 | 5-7/8 | 15-3/16 | 10 | 6-1/8 | (4)-1 1/4 | 275.5 | 320 | 95.8 |
| SDAF 238 | 7-7/8 | 27-5/8 | 10 | 3 | 23-1/2 | 21-1/2 | 6-1/4 | 16-1/4 | 10-5/8 | 7-1/4 | (4)-1 3/8 | 338.4 | 340 | 101.8 |
| SDAF 240 | 8-1/4 | 28-3/4 | 10-1/2 | 3-1/4 | 25 | 23 | 6-3/4 | 17-1/8 | 11-1/8 | 7-1/2 | (4)-1 3/8 | 343.7 | 360 | 107.8 |
| SDAF 244 | 9-1/2 | 32 | 11-1/4 | 3-1/2 | 27-7/8 | 25-5/8 | 7-1/4 | 19-1/4 | 11-7/8 | 7-7/8 | (4)-1 1/2 | 520.2 | 400 | 117.8 |

SERIES SDAF 300-HOUSING DIMENSIONS

| Housing No. * § † | A h13 | B | b | G | E | | E1 | H | L | T | Bolts (No. Req'd) | Wt. in lbs. * | D H7 mm | F mm |
|----------------------|----------|--------|--------|-------|----------|----------|-------|----------|--------|---------|----------------------|---------------------|---------------|---------|
| | in. | in. | in. | in. | Max. in. | Min. in. | in. | in. | in. | in. | | | | |
| SDAF316 | 4-1/4 | 14-1/4 | 5-1/2 | 1-3/4 | 12-5/8 | 10-5/8 | 3-1/4 | 8-1/4 | 6-3/8 | 4-1/2 | (4)-5/8 | 53.4 | 170 | 67.8 |
| SDAF317 | 4-1/2 | 15-1/4 | 6 | 1-7/8 | 13-1/8 | 11-5/8 | 3-3/8 | 8-15/16 | 6-3/4 | 4-3/4 | (4)-3/4 | 67.2 | 180 | 69.8 |
| SDAF318 | 5-3/4 | 15-1/2 | 6-1/8 | 2 | 13-1/2 | 12 | 3-5/8 | 9-7/16 | 6-7/8 | 4-13/16 | (4)-3/4 | 72.0 | 190 | 73.8 |
| SDAF320 | 5-1/4 | 16-1/2 | 6-7/8 | 2-1/4 | 14-1/2 | 13-1/4 | 4-1/8 | 10-12 | 7-3/8 | 5 | (4)-7/8 | 105.8 | 215 | 82.8 |
| SDAF322 | 6 | 18-3/8 | 7-1/2 | 2-3/8 | 16 | 14-5/8 | 4-1/2 | 11-7/8 | 8 | 5-1/4 | (4)-1 | 148.8 | 240 | 89.8 |
| SDAF324 | 6-5/16 | 21-1/4 | 7-7/8 | 2-1/2 | 18-1/4 | 17 | 4-3/4 | 12-13/16 | 8-3/8 | 5-7/16 | (4)-1 1/8 | 171.9 | 260 | 95.8 |
| SDAF326 | 6-11/16 | 22 | 8-1/4 | 2-1/2 | 19-1/4 | 17-3/8 | 5 | 13-11/16 | 8-3/4 | 5-5/8 | (4)-1 1/8 | 195.1 | 280 | 102.8 |
| SDAF328 | 7-1/16 | 24-3/4 | 9 | 2-1/2 | 21-5/8 | 19-3/8 | 5-1/2 | 14-1/4 | 9-3/8 | 5-15/16 | (4)-1 1/4 | 228.3 | 300 | 111.8 |
| SDAF330 | 7-1/2 | 26-3/4 | 9-3/8 | 2-3/4 | 23-5/8 | 20-7/8 | 5-7/8 | 15-3/16 | 9-3/4 | 6-1/8 | (4)-1 1/4 | 302.0 | 320 | 117.8 |
| SDAF332 | 7-7/8 | 27-5/8 | 10 | 3 | 23-1/2 | 21-1/2 | 6-1/4 | 16-1/4 | 10-5/8 | 6-1/2 | (4)-1 3/8 | 355.1 | 340 | 123.8 |
| SDAF334 | 8-1/4 | 28-3/4 | 10-1/2 | 3-1/4 | 25 | 23 | 6-3/4 | 17-1/8 | 11-1/8 | 6-7/8 | (4)-1 3/8 | 379.8 | 360 | 129.8 |
| SDAF336 | 8-7/8 | 30-1/2 | 10-3/4 | 3-1/4 | 26-3/8 | 24-1/8 | 6-7/8 | 17-15/16 | 11-3/8 | 6-7/8 | (4)-1 1/2 | 404.7 | 380 | 135.8 |
| SDAF338 | 9-1/2 | 32 | 11-1/4 | 3-1/2 | 27-7/8 | 25-5/8 | 7-1/4 | 19-1/4 | 11-7/8 | 7-7/8 | (4)-1 1/2 | 522.0 | 400 | 141.8 |
| SDAF340 | 9-7/8 | 33-1/2 | 11-3/4 | 3-1/2 | 29-1/4 | 26-5/8 | 7-5/8 | 19-15/16 | 12-3/8 | 8-1/8 | (4)-1 5/8 | 564.1 | 420 | 147.8 |

Notes: For stepped shaft bore, use SDAFZ2XX & SDAFZ3XX
 For same shaft bore, use SDAF2XX & SDAF3XX



TACONITE Seal OPTION

NOTES:

★ Basic housing does not include bearing and accessories. The weight is subject to change.

§ For float unit application, order 1-housing, 1-locknut, 1-lockwasher and 2-labyrinth seals. For fixed unit application, add 1-stabilizing ring to the above.

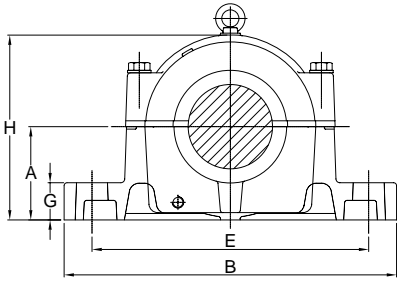
† All end plugs are for S-3 shaft.

SERIES SDAF222-PILLOW BLOCK PART NUMBERS

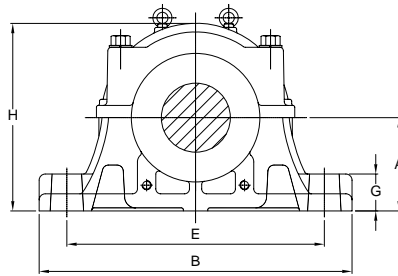
| Shaft Dia. | | | | | | Complete Pillow Block Number | Pillow Block Housing only | Bearing Number | Lock nut | Lock-washer | Lab. Seal Ring | | Stabilizing Ring (1 required) | End Plug (EPR)† |
|------------|------------|------------|---------|------------|------------|------------------------------|---------------------------|----------------|----------|-------------|------------------------|------------------------|-------------------------------|-----------------|
| S-2 in. | d2(H12) mm | d3(H12) mm | S-3 in. | d2(H12) mm | d3(H12) mm | | | | | | S-2 Shaft (1 required) | S-3 Shaft (1 required) | | |
| 4 1/2 | 132.84 | 151.88 | 3 13/16 | 102.18 | 121.23 | SDAF 22220 | SDAF 220 | 22220 | N 20 | W 20 | LER 205 | LER 87 | SR-20-17 | 12 |
| 4 7/8 | 132.84 | 151.88 | 4 3/16 | 113.8 | 132.84 | SDAF 22222 | SDAF 222 | 22222 | N 22 | W 22 | LER 121 | LER 113 | SR-22-19 | 14 |
| 5 5/16 | 142.88 | 161.93 | 4 9/16 | 121.74 | 140.8 | SDAF 22224 | SDAF 224 | 22224 | N 24 | W 24 | LER 127 | LER 119 | SR-24-20 | 15 |
| 5 7/8 | 157.18 | 176.23 | 4 15/16 | 132.84 | 151.9 | SDAF 22226 | SDAF 226 | 22226 | N 26 | W 26 | LER 136 | LER 122 | SR-26- 0 | 27 |
| 6 1/4 | 167.46 | 186.51 | 5 5/16 | 142.88 | 161.93 | SDAF 22228 | SDAF 228 | 22228 | N 28 | W 28 | LER 144 | LER 127 | SR-28- 0 | 16 |
| 6 5/8 | 176.99 | 196.04 | 5 3/4 | 157.18 | 176.23 | SDAF 22230 | SDAF 230 | 22230 | N 30 | W 30 | LER 151 | LER 134 | SR-30- 0 | 17 |
| 7 | 187.53 | 212.93 | 6 1/16 | 161.11 | 186.51 | SDAF 22232 | SDAF 232 | 22232 | N 32 | W 32 | LER 156 | LER 142 | SR-32- 0 | 18 |
| 7 7/16 | 201.8 | 222.7 | 6 7/16 | 172.21 | 197.61 | SDAF 22234 | SDAF 234 | 22234 | N 34 | W 34 | LER 161 | LER 148 | SR-34- 0 | 19 |
| 7 13/16 | 211.84 | 237.24 | 6 7/8 | 187.53 | 212.92 | SDAF 22236 | SDAF 236 | 22236 | N 36 | W 36 | LER 165 | LER 154 | SR-36-30 | 20 |
| 8 3/8 | 228.6 | 251.22 | 7 1/4 | 196.8 | 219.42 | SDAF 22238 | SDAF 238 | 22238 | N 38 | W 38 | LER 240 | LER 229 | SR-38-32 | 22 |
| 8 3/4 | 238.12 | 260.74 | 7 5/8 | 209.1 | 231.72 | SDAF 22240 | SDAF 240 | 22240 | N 40 | W 40 | LER 244 | LER 233 | SR-40-34 | 23 |
| 9 9/16 | 258.76 | 281.28 | 8 5/16 | 228.6 | 251.22 | SDAF 22244 | SDAF 244 | 22244 | N 44 | W 44 | LER 248 | LER 239 | SR-44-38 | 25 |

SERIES SDAF223-PILLOW BLOCK PART NUMBERS

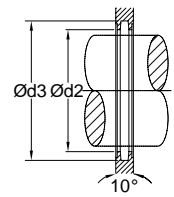
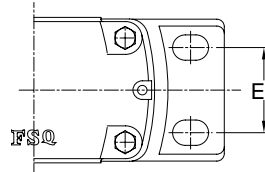
| Shaft Dia. | | | | | | Complete Pillow Block Number | Pillow Block Housing only | Bearing Number | Lock nut | Lock-washer | Lab. Seal Ring | | Stabilizing Ring (1 required) | End Plug (EPR)† |
|------------|------------|------------|---------|------------|------------|------------------------------|---------------------------|----------------|----------|-------------|------------------------|------------------------|-------------------------------|-----------------|
| S-2 in. | d2(H12) mm | d3(H12) mm | S-3 in. | d2(H12) mm | d3(H12) mm | | | | | | S-2 Shaft (1 required) | S-3 Shaft (1 required) | | |
| 3 5/8 | 102.18 | 121.23 | 3 | 81.03 | 100.08 | SDAF 22316 | SDAF 316 | 22316 | N 16 | W 16 | LER 84 | LER 60 | SR-19-16 | 10 |
| 3 15/16 | 110.11 | 129.16 | 3 3/16 | 91.06 | 110.11 | SDAF 22317 | SDAF 317 | 22317 | N 17 | W 17 | LER 93 | LER 69 | SR-20-17 | 11 |
| 4 1/8 | 113.8 | 132.84 | 3 3/8 | 91.06 | 110.11 | SDAF 22318 | SDAF 318 | 22318 | N 18 | W 18 | LER 96 | LER 72 | SR-21-18 | 11 |
| 4 1/2 | 121.74 | 140.78 | 3 13/16 | 102.18 | 121.23 | SDAF 22320 | SDAF 320 | 22320 | N 20 | W 20 | LER 205 | LER 87 | SR-24-20 | 12 |
| 4 7/8 | 132.84 | 151.9 | 4 3/16 | 113.8 | 132.84 | SDAF 22322 | SDAF 322 | 22322 | N 22 | W 22 | LER 121 | LER 113 | SR- 0-22 | 14 |
| 5 5/16 | 142.88 | 161.93 | 4 9/16 | 121.74 | 140.8 | SDAF 22324 | SDAF 324 | 22324 | N 24 | W 24 | LER 127 | LER 119 | SR- 0-24 | 15 |
| 5 7/8 | 157.18 | 176.23 | 4 15/16 | 132.84 | 151.9 | SDAF 22326 | SDAF 326 | 22326 | N 26 | W 26 | LER 136 | LER 122 | SR- 0-26 | 27 |
| 6 1/4 | 167.46 | 186.51 | 5 5/16 | 142.88 | 161.93 | SDAF 22328 | SDAF 328 | 22328 | N 28 | W 28 | LER 144 | LER 127 | SR- 0-28 | 16 |
| 6 5/8 | 176.99 | 196.03 | 5 3/4 | 157.18 | 176.23 | SDAF 22330 | SDAF 330 | 22330 | N 30 | W 30 | LER 151 | LER 134 | SR-36-30 | 17 |
| 7 | 188.29 | 210.91 | 6 1/16 | 161.3 | 183.92 | SDAF 22332 | SDAF 332 | 22332 | N 32 | W 32 | LER 225 | LER 217 | SR-38-32 | 19 |
| 7 7/16 | 209.1 | 231.72 | 6 7/16 | 172.72 | 195.34 | SDAF 22334 | SDAF 334 | 22334 | N 34 | W 34 | LER 230 | LER 220 | SR-40-34 | 26 |
| 7 13/16 | 216.81 | 239.43 | 6 7/8 | 188.29 | 210.91 | SDAF 22336 | SDAF 336 | 22336 | N 36 | W 36 | LER 234 | LER 223 | SR- 0-36 | 21 |
| 8 3/8 | 228.6 | 251.22 | 7 1/4 | 196.8 | 219.42 | SDAF 22338 | SDAF 338 | 22338 | N 38 | W 38 | LER 240 | LER 229 | SR-44-38 | 22 |
| 8 3/4 | 238.12 | 260.74 | 7 5/8 | 209.1 | 231.72 | SDAF 22340 | SDAF 340 | 22340 | N 40 | W 40 | LER 244 | LER 233 | SR- 0-40 | 23 |



SAF230K



SDAF230K

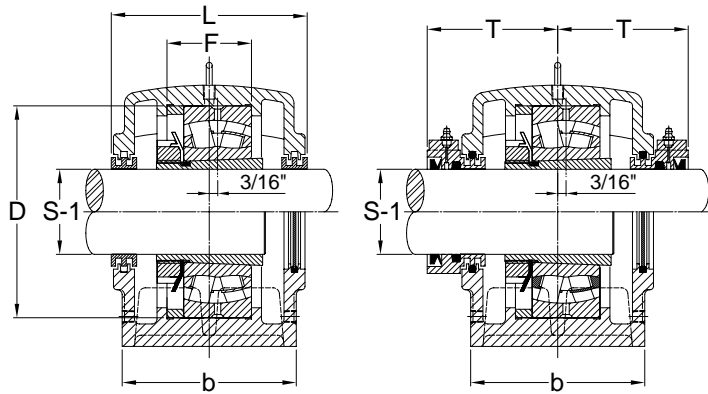


SERIES SAF 230K - HOUSING DIMENSIONS

| Housing No. * § † | A h13 | B | b | G | E | | E1 | H | L | T | Bolts (No. Req'd) | Wt. in lbs. * | D H7 | F | d2 (H12) | d3 (h12) |
|----------------------|----------|--------|-------|-------|----------|----------|-------|---------|--------|---------|----------------------|---------------------|---------|-------|-------------|-------------|
| | in. | in. | in. | in. | Max. in. | Min. in. | in. | in. | in. | in. | | | in. | mm | mm | mm |
| SAF 024 K/4-3/16 | 4-1/2 | 15-1/4 | 4-3/8 | 1-3/4 | 13-1/8 | 11-5/8 | 2-3/8 | 8-3/4 | 6 | 4-7/16 | (4)-3/4 | 47.5 | 180 | 65.6 | 113.8 | 132.84 |
| SAF 026 K/4-7/16 | 4-15/16 | 16-1-2 | 4-3/4 | 2 | 14-1/2 | 12-5/8 | 2-3/4 | 9-5/8 | 6-1/2 | 4-19/32 | (4)-3/4 | 56.0 | 200 | 71.6 | 121.74 | 140.8 |
| SAF 028 K/4-15/16 | 5-1/4 | 16-1/2 | 4-3/4 | 2-1/8 | 14-1/2 | 13-1/4 | 2-3/4 | 10-1/4 | 7-3/8 | 5-1/32 | (4)-3/4 | 68.7 | 210 | 72.6 | 132.84 | 151.9 |
| SAF 030 K/5-3/16 | 6 | 18-3/8 | 5-1/8 | 2-3/8 | 16 | 14-5/8 | 3-1/4 | 11-9/16 | 8 | 5-11/32 | (4)-7/8 | 106.9 | 225 | 75.6 | 142.88 | 161.93 |
| SAF 032 K/5-7/16 | 6 | 18-3/8 | 5-1/8 | 2-3/8 | 16 | 14-5/8 | 3-1/4 | 11-9/16 | 8 | 5-13/32 | (4)-7/8 | 125.4 | 240 | 79.6 | 146.05 | 171.45 |
| SAF 034 K/5-15/16 | 6 | 20-1/8 | 5-7/8 | 2-3/8 | 17-1/8 | 16 | 3-3/8 | 11-3/4 | 7-5/8 | 5-5/32 | (4)-1 | 119.9 | 260 | 86.6 | 161.12 | 186.52 |
| SAF 036 K/6-7/16 | 6-11/16 | 22 | 6-1/4 | 2-5/8 | 19-1/4 | 17-3/8 | 3-3/4 | 13-1/2 | 8-3/4 | 5-23/32 | (4)-1 | 171.6 | 280 | 93.6 | 172.2 | 197.6 |
| SAF 038 K/6-15/16 | 7-11/16 | 22 | 6-1/4 | 2-5/8 | 19-1/4 | 17-3/8 | 3-3/4 | 13-1/2 | 8-3/4 | 5-23/32 | (4)-1 | 167.3 | 290 | 94.6 | 187.54 | 212.94 |
| SAF 040 K/7-3/16 | 7-1/16 | 24-3/4 | 6-3/4 | 2-3/4 | 21-5/8 | 19-3/8 | 4-1/4 | 14-3/8 | 9-5/8 | 6-7/32 | (4)-1 | 192.9 | 310 | 101.6 | 192.28 | 217.68 |
| SAF 044 K/7-15/16 | 7-7/8 | 28 | 7-1/2 | 3-1/8 | 24-3/8 | 21-5/8 | 4-1/2 | 15-7/8 | 10-5/8 | 6-23/32 | (4)-1 1/4 | 304.4 | 340 | 109.6 | 211.84 | 237.24 |
| SAF 048 K/8-7/16 | 8-1/4 | 29-1/2 | 8 | 3-3/8 | 25 | 22-1/2 | 5 | 16-1/2 | 11-1/4 | 7-11/16 | (4)-1 1/4 | 270 | 360 | 111.6 | 258.71 | 284.11 |
| SAF 048 K/8-1/2 | 8-1/4 | 29-1/2 | 8 | 3-3/8 | 25 | 22-1/2 | 5 | 16-1/2 | 11-1/4 | 7-11/16 | (4)-1 1/4 | 270 | 360 | 111.6 | 258.71 | 284.11 |
| SAF 048 K/8-15/16 | 8-1/4 | 29-1/2 | 8 | 3-3/8 | 25 | 22-1/2 | 5 | 16-1/2 | 11-1/4 | 7-11/16 | (4)-1 1/4 | 270 | 360 | 111.6 | 258.71 | 284.11 |
| SAF 048 K/9 | 8-1/4 | 29-1/2 | 8 | 3-3/8 | 25 | 22-1/2 | 5 | 16-1/2 | 11-1/4 | 7-11/16 | (4)-1 1/4 | 270 | 360 | 111.6 | 258.71 | 284.11 |
| SAF 052 K/9-7/16 | 8-1/2 | 32-3/4 | 8-3/4 | 3-3/4 | 27-7/8 | 24-3/4 | 5-1/4 | 18-5/8 | 12 | 8-1/16 | (4)-1 1/2 | 450.4 | 400 | 123.6 | 254.7 | 280.1 |
| SAF 052 K/9-1/2 | 8-1/2 | 32-3/4 | 8-3/4 | 3-3/4 | 27-7/8 | 24-3/4 | 5-1/4 | 18-5/8 | 12 | 8-1/16 | (4)-1 1/2 | 450.4 | 400 | 123.6 | 254.7 | 280.1 |
| SAF 056 K/9-15/16 | 9-7/8 | 34-1/4 | 9 | 4 | 29-1/2 | 26-1/4 | 5-1/2 | 20-3/16 | 12-1/4 | 8-1/8 | (4)-1 1/2 | 507 | 420 | 125.6 | 280.7 | 306.1 |
| SAF 056 K/10 | 9-7/8 | 34-1/4 | 9 | 4 | 29-1/2 | 26-1/4 | 5-1/2 | 20-3/16 | 12-1/4 | 8-1/8 | (4)-1 1/2 | 507 | 420 | 125.6 | 280.7 | 306.1 |
| SAF 056 K/10-7/16 | 9-7/8 | 34-1/4 | 9 | 4 | 29-1/2 | 26-1/4 | 5-1/2 | 20-3/16 | 12-1/4 | 8-1/8 | (4)-1 1/2 | 507 | 420 | 125.6 | 280.7 | 306.1 |
| SAF 056 K/10-1/2 | 9-7/8 | 34-1/4 | 9 | 4 | 29-1/2 | 26-1/4 | 5-1/2 | 20-3/16 | 12-1/4 | 8-1/8 | (4)-1 1/2 | 507 | 420 | 125.6 | 280.7 | 306.1 |

SERIES SDAF 230K - HOUSING DIMENSIONS

| Housing No. * § † | A h13 | B | b | G | E | | E1 | H | L | T | Bolts (No. Req'd) | Wt. in lbs. * | D H7 | F | d2 (H12) | d3 (h12) |
|----------------------|----------|--------|--------|--------|----------|----------|--------|---------|--------|---------|----------------------|---------------------|---------|-------|-------------|-------------|
| | in. | in. | in. | in. | Max. in. | Min. in. | in. | in. | in. | in. | | | in. | mm | mm | mm |
| SDAF 060K/10-15/16 | 12 | 38-1/4 | 14-3/4 | 3-3/8 | 33-1/2 | 32-3/4 | 9 | 23-7/16 | 14-1/2 | 9-3/16 | (4)-1 5/8 | 876.9 | 460 | 127.8 | 291.92 | 325.35 |
| SDAF 060K/11 | 12 | 38-1/4 | 14-3/4 | 3-3/8 | 33-1/2 | 32-3/4 | 9 | 23-7/16 | 14-1/2 | 9-3/16 | (4)-1 5/8 | 876.9 | 460 | 127.8 | 291.92 | 325.35 |
| SDAF 064K/11-7/16 | 12 | 38-1/4 | 14-3/4 | 3-3/8 | 33-1/2 | 32-3/4 | 9 | 23-7/16 | 15-1/2 | 9-11/16 | (4)-1 5/8 | 880.0 | 460 | 130.8 | 319.02 | 352.45 |
| SDAF 064K/11-1/2 | 12 | 38-1/4 | 14-3/4 | 3-3/8 | 33-1/2 | 32-3/4 | 9 | 23-7/16 | 15-1/2 | 9-11/16 | (4)-1 5/8 | 880.0 | 480 | 130.8 | 319.02 | 325.45 |
| SDAF 064K/11-15/16 | 12 | 38-1/4 | 14-3/4 | 3-3/8 | 33-1/2 | 32-3/4 | 9 | 23-7/16 | 15-1/2 | 9-11/16 | (4)-1 7/8 | 880.0 | 480 | 130.8 | 319.02 | 325.45 |
| SDAF 064K/12 | 12 | 38-1/4 | 14-3/4 | 3-3/8 | 33-1/2 | 32-3/4 | 9 | 23-7/16 | 15-1/2 | 9-11/16 | (4)-1 5/8 | 880.0 | 480 | 130.8 | 319.02 | 325.45 |
| SDAF 068K/12-7/16 | 12 | 39 | 15-3/4 | 4-3/16 | 33-1/2 | 32 | 10 | 24 | 15-3/4 | 9-13/16 | (4)-1 7/8 | 1100 | 520 | 142.8 | 357.63 | 394.69 |
| SDAF 068K/12-1/2 | 12 | 39 | 15-3/4 | 4-3/16 | 33-1/2 | 32 | 10 | 24 | 15-3/4 | 9-13/16 | (4)-1 7/8 | 1100 | 520 | 142.8 | 357.63 | 394.69 |
| SDAF 072K/12-15/16 | 12-13/16 | 41-3/4 | 15-3/4 | 4-1/2 | 36-1/2 | 35 | 10-1/2 | 25-3/4 | 16-1/4 | 10 | (4)-1 7/8 | 1172 | 540 | 143.8 | 357.63 | 394.69 |
| SDAF 072K/13 | 12-13/16 | 41-3/4 | 15-3/4 | 4-1/2 | 36-1/2 | 35 | 10-1/2 | 25-3/4 | 16-1/4 | 10 | (4)-1 7/8 | 1172 | 540 | 143.8 | 357.63 | 394.69 |
| SDAF 072K/13-7/16 | 12-13/16 | 41-3/4 | 15-3/4 | 4-1/2 | 36-1/2 | 35 | 10-1/2 | 25-3/4 | 16-1/4 | 10 | (4)-1 7/8 | 1172 | 540 | 143.8 | 357.63 | 394.69 |
| SDAF 072K/13-1/2 | 12-13/16 | 41-3/4 | 15-3/4 | 4-1/2 | 36-1/2 | 35 | 10-1/2 | 25-3/4 | 16-1/4 | 10 | (4)-1 7/8 | 1172 | 540 | 143.8 | 357.63 | 394.69 |
| SDAF 076K/13-15/16 | 12-13/16 | 41-3/4 | 15-3/4 | 4-1/2 | 36-1/2 | 35 | 10-1/2 | 25-3/4 | 16-1/4 | 10 | (4)-1 7/8 | 1148 | 560 | 144.8 | 373.88 | 414.52 |
| SDAF 076K/14 | 12-13/16 | 41-3/4 | 15-3/4 | 4-1/2 | 36-1/2 | 35 | 10-1/2 | 25-3/4 | 16-1/4 | 10 | (4)-1 7/8 | 1148 | 560 | 144.8 | 373.88 | 414.52 |



TACONITE SEAL OPTION

NOTES:

* Basic housing does not include bearing and accessories. The weight is subject to change.

§ For float unit application, order 1-housing, 2-labyrinth seals, 1-adapter sleeve.
For fixed unit application, add 1-stabilizing ring to the above.

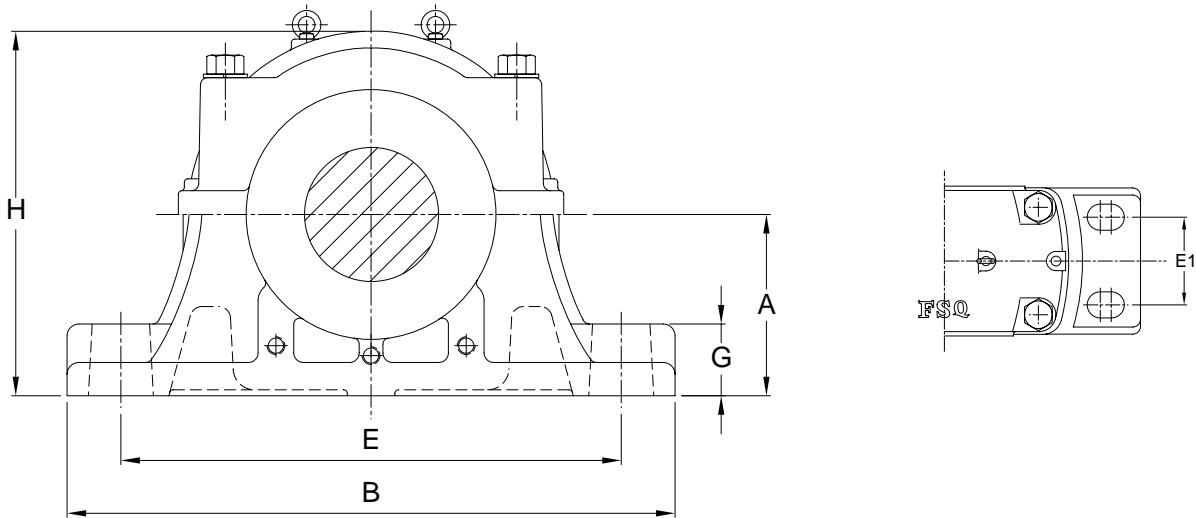
† Other shaft size are also available.

SERIES SAF 230K-PILLOW BLOCK PART NUMBERS

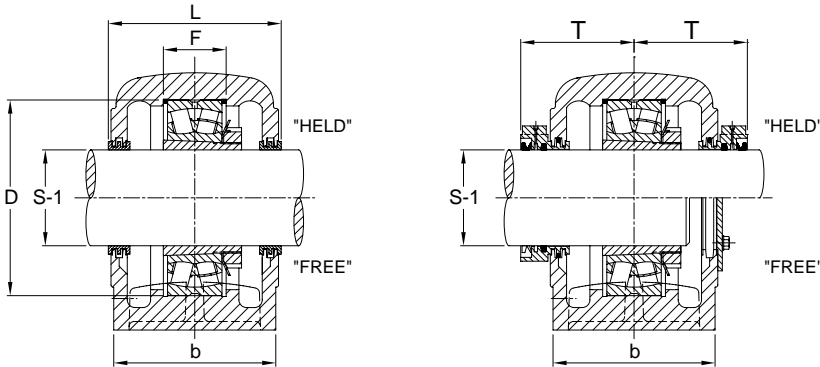
| Shaft Dia. S-1 in. | Complete Pillow Block Number | Pillow block Housing Only | Bearing Number | Adapter Sleeve | Labyrinth Seal Ring (2 Req'd) | Stabilizing Ring (2 Req'd) | End Plug (EPR) |
|--------------------|------------------------------|---------------------------|----------------|------------------|-------------------------------|----------------------------|----------------|
| 4-3/16 | SAF 23024 K/4-3/16 | SAF 024 K/4-3/16 | 23024 K | SNW 3024/4-3/16 | LER 113 | SR-20-17 | 14 |
| 4-7/16 | SAF 23026 K/4-7/16 | SAF 026 K/4-7/16 | 23026 K | SNW 3026/4-7/16 | LER 117 | SR-22-19 | 15 |
| 4-15/16 | SAF 23028 K/4-15/16 | SAF 028 K/4-15/16 | 23028 K | SNW 3028/4-15/16 | LER 122 | SR- 0-20 | 27 |
| 5-3/16 | SAF 23030 K/5-3/16 | SAF 030 K/5-3/16 | 23030 K | SNW 3030/5-3/16 | LER 125 | SR- 0-21 | 16 |
| 5-7/16 | SAF 23032 K/5-7/16 | SAF 032 K/5-7/16 | 23032 K | SNW 3032/5-7/16 | LER 130 | SR- 0-22 | 16 |
| 5-15/16 | SAF 23034 K/5-15/16 | SAF 034 K/5-15/16 | 23034 K | SNW 3034/5-15/16 | LER 140 | SR- 0-24 | 18 |
| 6-7/16 | SAF 23036 K/6-7/16 | SAF 036 K/6-7/16 | 23036 K | SNW 3036/6-7/16 | LER 148 | SR- 0-26 | 19 |
| 6-15/16 | SAF 23038 K/6-15/16 | SAF 038 K/6-15/16 | 23038 K | SNW 3038/6-15/16 | LER 155 | SR-32- 0 | 20 |
| 7-3/16 | SAF 23040 K/7-3/16 | SAF 040 K/7-3/16 | 23040 K | SNW 3040/7-3/16 | LER 159 | SR-34- 0 | 21 |
| 7-15/16 | SAF 23044 K/7-15/16 | SAF 044 K/7-15/16 | 23044 K | SNW 3044/7-15/16 | LER 167 | SR-38-32 | 23 |
| 8-7/16 | SAF 23048 K/8-7/16 | SAF 048 K/8-7/16 | 23048 K | SNP 3048/8-7/16 | LER 550 | A 8897 | |
| 8-1/2 | SAF 23048 K/8-1/2 | SAF 048 K/8-1/2 | 23048 K | SNP 3048/8-1/2 | LER 551 | A 8897 | |
| 8-15/16 | SAF 23048 K/8-15/16 | SAF 048 K/8-15/16 | 23048 K | SNP 3048 | LER 552 | A 8897 | |
| 9 | SAF 23048 K/9 | SAF 048 K/9 | 23048 K | SNP 3048/9 | LER 513 | A 8897 | |
| 9-7/16 | SAF 23052 K/9-7/16 | SAF 052 K/9-7/16 | 23052 K | SNP 3052 | LER 553 | A 8898 | |
| 9-1/2 | SAF 23052 K/9-1/2 | SAF 052 K/9-1/2 | 23052 K | SNP 3052/9-1/2 | LER 178 | A 8898 | |
| 9-15/16 | SAF 23056 K/9-15/16 | SAF 056 K/9-15/16 | 23056 K | SNP 3056/9-15/16 | ER 751 | A 8819 | |
| 10 | SAF 23056 K/10 | SAF 056 K/10 | 23056 K | SNP 3056/10 | ER 705 | A 8819 | |
| 10-7/16 | SAF 23056 K/10-7/16 | SAF 056 K/10-7/16 | 23056 K | SNP 3056 | ER 745 | A 8819 | |
| 10-1/2 | SAF 23056 K/10-1/2 | SAF 056 K/10-1/2 | 23056 K | SNP 3056/10-1/2 | ER 710 | A 8819 | |

SERIES SDAF 230K-PILLOW BLOCK PART NUMBER

| Shaft Dia. S-1 in. | Complete Pillow Block Number | Pillow block Housing Only | Bearing Number | Adapter Sleeve | Labyrinth Seal Ring (2 Req'd) | Stabilizing Ring (1 Req'd) |
|--------------------|------------------------------|----------------------------|----------------|-------------------|-------------------------------|----------------------------|
| 10-15/16 | SDAF 23060 K/10-15/16 | SDAF 060 K/10-15/16 | 23060 K | SNP 3060 | ER 858 | A 8967 |
| 11 | SDAF 23060 K/11 | SDAF 060 K/11 | 23060 K | SNP 3060/11 | ER 825 | A 8967 |
| 11-7/16 | SDAF 23064 K/11-7/16 | SDAF 064 K/11-7/16 | 23064 K | SNP 3064/11-7/16 | ER 861 | A 8968 |
| 11-1/2 | SDAF 23064 K/11-1/2 | SDAF 064 K/11-1/2 | 23064 K | SNP 3064/11-1/2 | ER 832 | A 8968 |
| 11-15/16 | SDAF 23064 K/11-15/16 | SDAF 064 K/11-15/16 | 23064 K | SNP 3064 | ER 859 | A 8968 |
| 12 | SDAF 23064 K/12 | SDAF 064 K/12 | 23064 K | SNP 3064/12 | ER 818 | A 8968 |
| 12-7/16 | SDAF 23068 K/12-7/16 | SDAF 068 K/12-7/16 | 23068 K | SNP 3068 | ER 865 | A 8969 |
| 12-1/2 | SDAF 23068 K/12-1/2 | SDAF 068 K/12-1/2 | 23068 K | SNP 3068/12-1/2 | ER 866 | A 8969 |
| 12-15/16 | SDAF 23072 K/12-15/16 | SDAF 072 K/12-15/16 | 23072 K | SNP 3072/12-15/16 | ER 869 | A 8970 |
| 13 | SDAF 23072 K/13 | SDAF 072 K/13 | 23072 K | SNP 3072/13 | ER 846 | A 8970 |
| 13-7/16 | SDAF 23072 K/13-7/16 | SDAF 072 K/13-7/16 | 23072 K | SNP 3072 | ER 872 | A 8970 |
| 13-1/2 | SDAF 23072 K/13-1/2 | SDAF 072 K/13-1/2 | 23072 K | SNP 3072/13-1/2 | ER 823 | A 8970 |
| 13-15/16 | SDAF 23076 K/13-15/16 | SDAF 076 K/13-15/16 | 23076 K | SNP 3076 | ER 875 | A 8971 |
| 14 | SDAF 23076 K/14 | SDAF 076 K/14 | 23076 K | SNP 3076/14 | ER 876 | A 8971 |



| Designations Complete Pillow Block * § † | A | B | b | G | E | E | E1 | F | H | Static oil level | Blots | (No. Req'd) | T | D |
|--|----------|--------|--------|-------|--------|--------|--------|-------|---------|------------------|--------|-------------|--------|------|
| | in | in | in | in | in | in | in | mm | | K | L | | | (H7) |
| SDAF 23152 KA/9-7/16 | 10-1/4 | 35 | 13-1/8 | 3-3/4 | 30-1/2 | 29 | 8-3/4 | 163.6 | 20-7/8 | 3-1/8 | 14-1/4 | (4)-1-5/8 | 8-3/4 | 440 |
| SDAF 23156 KA/10-7/16 | 12 | 38-1/4 | 14-3/4 | 4 | 33-1/2 | 32-3/4 | 9 | 165.6 | 23-7/16 | 4-1/2 | 15-1/2 | (4)-1-5/8 | 9-1/2 | 460 |
| SDAF 23160 KA/10-15/16 | 12 | 38-1/4 | 14-3/4 | 4 | 33-1/2 | 32-3/4 | 9 | 179.6 | 23-7/16 | 3-7/8 | 15-1/2 | (4)-1-5/8 | 9-1/2 | 500 |
| SDAF 23164 KA/11-15/16 | 12-13/16 | 41-3/4 | 15-3/4 | 4-1/2 | 36-1/2 | 35 | 10-1/2 | 195.6 | 25-3/4 | 4-1/16 | 16-3/4 | (4)-1-7/8 | 10-3/8 | 540 |
| SDAF 23168 KA/12-7/16 | 14 | 43-3/4 | 17-3/4 | 5 | 38-1/4 | 36-3/4 | 10-3/4 | 209.6 | 27-7/8 | 4-5/8 | 18-3/4 | (4)-2 | 11-1/4 | 580 |
| SDAF 23172 KA/13-7/16 | 14-1/2 | 46 | 17-1/8 | 5-1/4 | 40-3/4 | 39-1/4 | 11 | 211.6 | 28-7/8 | 4-5/8 | 17-5/8 | (4)-2 | 10-7/8 | 600 |
| SDAF 23176 KA/13-15/16 | 14-1/2 | 46 | 17-1/8 | 5-1/4 | 40-3/4 | 39-1/4 | 11 | 213.6 | 28-7/8 | 4-9/32 | 17-5/8 | (4)-2 | 10-7/8 | 620 |
| SDAF 23180 KA/15 | 15-1/2 | 48-3/4 | 18-3/4 | 5-1/2 | 43-1/2 | 41-3/4 | 12-1/4 | 219.6 | 30-1/2 | 4-13/16 | 19-1/4 | (4)-2-1/4 | 12 | 650 |
| SDAF 23184 KA/15-3/4 | 17 | 53 | 21 | 5-1/2 | 46-1/8 | 44-3/8 | 14-1/2 | 243.6 | 33-3/4 | 5-19/32 | 21-3/4 | (4)-2-1/4 | 13-1/4 | 700 |
| SDAF 23188 KA/16-1/2 | 17 | 53 | 21 | 5-1/2 | 46-1/8 | 44-3/8 | 14-1/2 | 245.6 | 33-3/4 | 5-5/16 | 21-3/4 | (4)-2-1/4 | 13-1/4 | 720 |
| SDAF 23192 KA/17 | 18 | 54-1/4 | 21-5/8 | 5-3/4 | 48-7/8 | 47-1/8 | 15 | 259.6 | 35-3/4 | 5-7/16 | 22-1/4 | (4)-2-1/2 | 13-1/2 | 760 |
| SDAF 23196 KA/18 | 18 | 54-1/4 | 21-5/8 | 5-3/4 | 48-7/8 | 47-1/8 | 15 | 267.6 | 35-3/4 | 5-3/16 | 22-1/4 | (4)-2-1/2 | 13-1/2 | 790 |



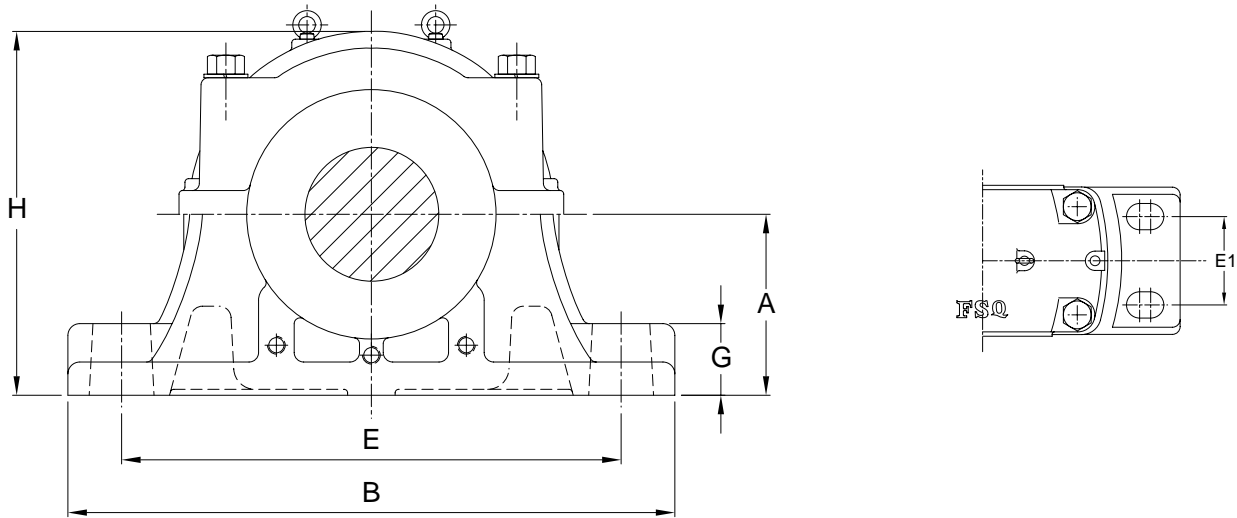
NOTES:

* Basic housing does not include bearing and accessories. The weight is subject to change.

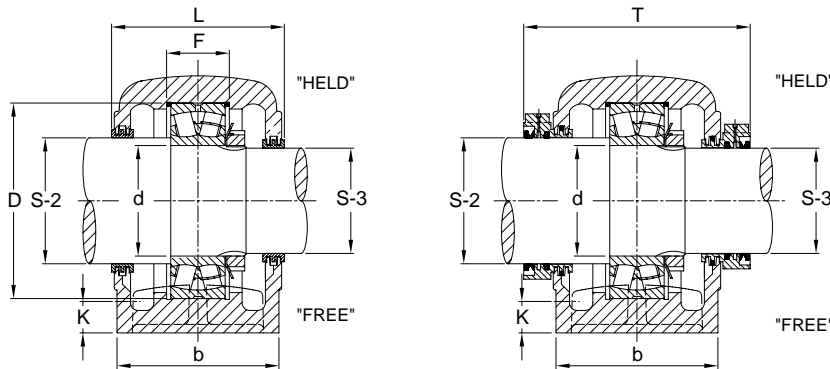
§ For float unit application, order 1-housing, 2-labyrinth seals, 1-adapter sleeve. For fixed unit application, add 1-stabilizing ring to the above.

† Other shaft size are also available.

| Shaft dia. S-1 Standard Optional | Designations | | | | | | | |
|-------------------------------------|------------------------|---------------|-------------------------------------|------------------------|------------------|----------------------|----------------------------|------------|
| | Complete pillow block | Bearing | Bearing basic load rating dynamic C | ERF grease speed limit | Adapter Sleeve | Stab. ring (2 Req'd) | Triple ring seal (2 Req'd) | Net Weight |
| in | | | | | | | | lb |
| 9-7/16 / 9-1/2 | SDAF 23152 KA 9-7/16 | 23152 CAK/W33 | 499 000 | 800 | SNP3152/9-7/16 | A5679 | ER 891 | 850 |
| 10-7/16 / 10-1/2 | SDAF 23156 KA 10-7/16 | 23156 CAK/W33 | 517 000 | 750 | SNP3156/10-7/16 | A8967 | ER 973 | 1035 |
| 10-15/16 / 11 | SDAF 23160 KA/10-15/16 | 23160 CAK/W33 | 634 000 | 670 | SNP3160/10-15/16 | A8975 | ER 858 | 1075 |
| 11-15/16 / 12 | SDAF 23164 KA/11-15/16 | 23164 CAK/W33 | 737 000 | 630 | SNP3164/11-15/16 | A8970 | ER 900 | 1485 |
| 12-7/16 / 12-1/2 | SDAF 23168 KA/12-7/16 | 23168 CAK/W33 | 827 000 | 600 | SNP3168/12-7/16 | A8977 | ER 975 | 1985 |
| 13-7/16 / 13-1/2 | SDAF 23172 KA/13-7/16 | 23172 CAK/W33 | 842 000 | 500 | SNP3172/13-7/16 | A8974 | ER 872 | 2015 |
| 13-15/16 / 14 | SDAF 23176 KA/13-15/16 | 23176 CAK/W33 | 841 000 | 400 | SNP3176/13-15/16 | A8978 | ER 875 | 1995 |
| 14-15/16 / 15 | SDAF 23180 KA/15 | 23180 CAK/W33 | 917 000 | 380 | SNP3180/15 | A8979 | ER 976 | 2215 |
| 15-3/4 / - | SDAF 23184 KA/15-3/4 | 23184 CAK/W33 | 1 100 000 | 360 | SNP3184/15-3/4 | A8984 | ER 907 | 3530 |
| 16-1/2 / - | SDAF 23188 KA/16-1/2 | 23188 CAK/W33 | 1 170 000 | 340 | SNP3188/16-1/2 | A8976 | ER 958 | 3505 |
| 17 / - | SDAF 23192 KA/17 | 23192 CAK/W33 | 1 270 000 | 320 | SNP3192/17 | A9990 | ER 838 | 4030 |
| 18 / - | SDAF 23196 KA/18 | 23196 CAK/W33 | 1 370 000 | 300 | SNP3196/18 | A8988 | ER 888 | 4250 |



| Designations Complete Pillow Block * § † | A | B | b | G | E | | E1 | F | H | Static oil level | L | Blots (No Req'd) | T | D (H7) |
|---|----------|--------|--------|-------|--------|--------|--------|-------|---------|---------------------|--------|------------------------|--------|-----------|
| | in | in | in | in | in | in | in | mm | | | | | | |
| SDAF 23248 | 10-1/4 | 35 | 13-1/8 | 3-3/4 | 30-1/2 | 29 | 8-3/4 | 179.6 | 20-7/8 | 3-9/32 | 14-1/4 | (4)-1-5/8 | 8-3/4 | 440 |
| SDAF 23252 | 12 | 38-1/4 | 14-3/4 | 4 | 33-1/2 | 32-3/4 | 9 | 193.6 | 23-7/16 | 4-3/8 | 15-1/2 | (4)-1-5/8 | 9-1/2 | 480 |
| SDAF 23256 | 12 | 38-1/4 | 14-3/4 | 4 | 33-1/2 | 32-3/4 | 9 | 195.6 | 23-7/16 | 4 | 15-1/2 | (4)-1-5/8 | 9-1/2 | 500 |
| SDAF 23260 | 12-13/16 | 41-3/4 | 15-3/4 | 4-1/2 | 36-1/2 | 35 | 10-1/2 | 211.6 | 25-3/4 | 4-3/32 | 16-3/4 | (4)-1-7/8 | 10-3/8 | 540 |
| SDAF 23264 | 14 | 43-3/4 | 17-3/4 | 5 | 38-1/4 | 36-3/4 | 10-3/4 | 227.6 | 27-7/8 | 4-3/4 | 18-3/4 | (4)-2 | 11-1/4 | 580 |
| SDAF 23268 | 14-1/2 | 46 | 17-1/8 | 5-1/4 | 40-3/4 | 39-1/4 | 11 | 243.6 | 28-7/8 | 4-17/32 | 17-5/8 | (4)-2 | 10-7/8 | 620 |
| SDAF 23272 | 15-1/2 | 48-3/4 | 18-3/4 | 5-1/2 | 43-1/2 | 41-3/4 | 12-1/4 | 251.6 | 30-1/2 | 5-1/8 | 19-1/4 | (4)-2-1/4 | 12 | 650 |
| SDAF 23276 | 15-1/2 | 48-3/4 | 18-3/4 | 5-1/2 | 43-1/2 | 41-3/4 | 12-1/4 | 259.6 | 30-1/2 | 4-9/16 | 19-1/4 | (4)-2-1/4 | 12 | 680 |
| SDAF 23280 | 17 | 53 | 21 | 5-1/2 | 46-1/8 | 44-3/8 | 14-1/2 | 275.6 | 33-3/4 | 5-5/8 | 21-3/4 | (4)-2-1/4 | 13-1/4 | 720 |
| SDAF 23284 | 18 | 54-1/4 | 21-5/8 | 5-3/4 | 48-7/8 | 47-1/8 | 15 | 291.6 | 35-3/4 | 5-25/32 | 22-1/4 | (4)-2-1/2 | 13-1/2 | 760 |
| SDAF 23288 | 18 | 54-1/4 | 21-5/8 | 5-3/4 | 48-7/8 | 47-1/8 | 15 | 299.6 | 35-3/4 | 5-1/4 | 22-1/4 | (4)-2-1/2 | 13-1/2 | 790 |



NOTES:

* Basic housing does not include bearing and accessories. The weight is subject to change.

§ For float unit application, order 1-housing, 2-labyrinth seals, 1-adapter sleeve. For fixed unit application, add 1-stabilizing ring to the above.

† Other shaft size are also available.

| d | Shaft dia. | | Designations | | | | | | | | | | |
|-----|------------|---------|-----------------------|--------------|-------------------------------------|------------------------|----------|-------------|----------------------|----------------------|---------------------|---------------------|--------------|
| | S-2 | S-3 | Complete pillow block | Bearing | Bearing basic load rating dynamic C | ERF grease speed limit | Lock-nut | Lock-washer | Pillow block housing | Stab. ring (2 Req'd) | Labyrinth Seal | | Net Weight * |
| | | | | | | | | | | | S-2 shaft (1 Req'd) | S-3 shaft (1 Req'd) | |
| mm | in | in | | | lbs | r/min | | | | | | | lbs |
| 240 | 10-1/2 | 9-3/16 | SDAF 23248 | 23248 CA/W33 | 569 000 | 670 | N 048 | P 48 | SDAF 3248 | A5679 | ER 840 | ER 923 | 855 |
| 260 | 11-1/2 | 9-15/16 | SDAF 23252 | 23252 CA/W33 | 634 000 | 630 | N 052 | P 52 | SDAF 3252 | A8968 | ER 832 | ER 845 | 1040 |
| 280 | 12-1/2 | 10-3/4 | SDAF 23256 | 23256 CA/W33 | 634 000 | 600 | N 056 | P 56 | SDAF 3256 | A8975 | ER 866 | ER 826 | 1070 |
| 300 | 13 | 11-1/2 | SDAF 23260 | 23260 CA/W33 | 621 000 | 530 | N 060 | P 60 | SDAF 3260 | A8970 | ER 846 | ER 856 | 1480 |
| 320 | 14 | 12-1/4 | SDAF 23264 | 23264 CA/W33 | 866 000 | 500 | N 064 | P 64 | SDAF 3264 | A8977 | ER 876 | ER 983 | 1970 |
| 340 | 15 | 13 | SDAF 23268 | 23268 CA/W33 | 1 050 000 | 430 | N 068 | P 68 | SDAF 3268 | A8978 | ER 847 | ER 846 | 2000 |
| 360 | 16 | 13-3/4 | SDAF 23272 | 23272 CA/W33 | 1 050 000 | 400 | N 072 | P 72 | SDAF 3272 | A8979 | ER 956 | ER 981 | 2210 |
| 380 | 17 | 14-1/2 | SDAF 23276 | 23276 CA/W33 | 1 140 000 | 380 | N 076 | P 76 | SDAF 3276 | A8980 | ER 838 | ER 984 | 2225 |
| 400 | 17-1/2 | 15-1/4 | SDAF 23280 | 23280 CA/W33 | 1 290 000 | 340 | N 080 | P 80 | SDAF 3280 | A8976 | ER 967 | ER 895 | 3510 |
| 420 | 18-1/2 | 15-3/4 | SDAF 23284 | 23284 CA/W33 | 1 420 000 | 320 | N 084 | P 84 | SDAF 3284 | A8990 | ER 978 | ER 907 | 3800 |
| 440 | 19-1/2 | 17 | SDAF 23288 | 23288 CA/W33 | 1 510 000 | 320 | N 088 | P 88 | SDAF 3288 | A8988 | ER 926 | ER 838 | 3750 |

The BND housings are designed for grease lubrication.

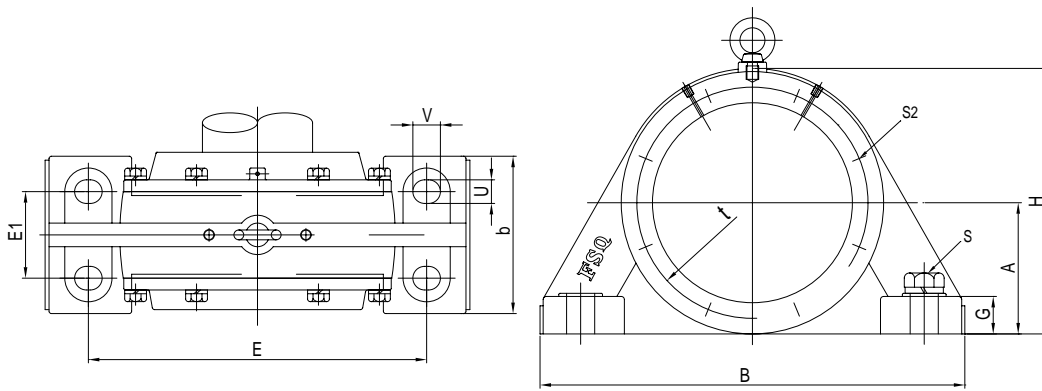
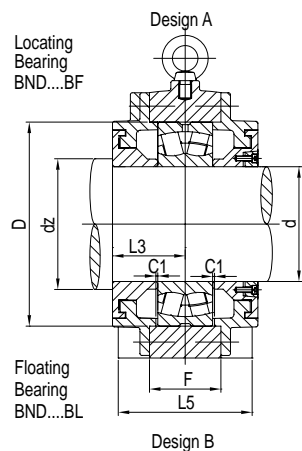
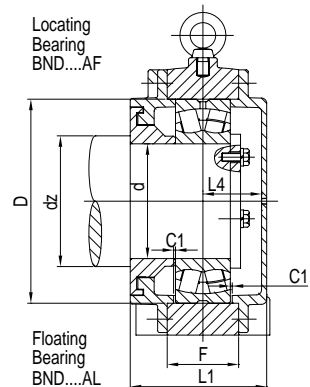
The standard material for the housing bodies is cast steel.

Housing bodies of spheroidal cast iron is available upon request.

Plummer block housings of series BND are sealed with labyrinths.

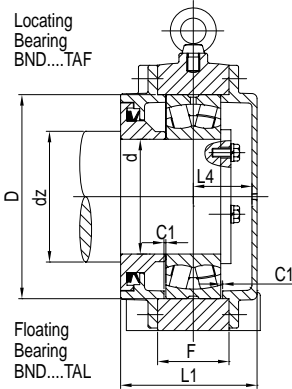
On request FSQ supply also Taconite seals (T) where a V ring is integrated in the labyrinth. The seals must be separately re-greaseable.

for bearings with cylindrical bore
(labyrinth seal)

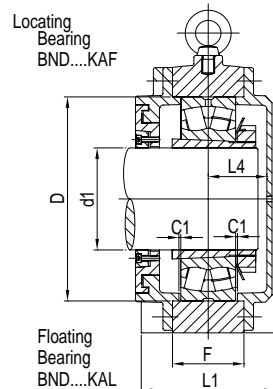


| Housing No. | Shaft Dia | | | | Dimensions mm | | | | | | | | | | |
|-------------|-----------|----------|-----------|-----------|---------------|------|-----|-----|-----|-----|-------|-----|-------|-----|-------|
| | d | d1 mm | dc min | dz min | D | B | b | G | F | A | L1 | L2 | L3 | L4 | L5 |
| BND2213 | 65 | 60 | 66 | 71 | 120 | 235 | 70 | 22 | 44 | 80 | 100 | 120 | 55 | 39 | 110 |
| BND2215 | 75 | 65 | 71 | 81 | 130 | 285 | 85 | 35 | 45 | 90 | 105 | 125 | 55 | 44 | 110 |
| BND2218 | 90 | 80 | 88 | 98 | 160 | 370 | 110 | 38 | 55 | 110 | 104 | 123 | 53 | 45 | 105 |
| BND2220 | 100 | 90 | 98 | 108 | 180 | 400 | 120 | 40 | 65 | 130 | 141 | 168 | 78 | 57 | 156 |
| BND2222 | 110 | 100 | 108 | 118 | 200 | 440 | 130 | 42 | 73 | 140 | 149.2 | 172 | 82.6 | 60 | 165.2 |
| BND2224 | 120 | 110 | 118 | 128 | 215 | 470 | 140 | 42 | 77 | 150 | 143 | 168 | 74 | 61 | 148 |
| BND2226 | 130 | 115 | 127 | 142 | 230 | 500 | 150 | 45 | 84 | 160 | 172 | 202 | 95 | 69 | 190 |
| BND2228 | 140 | 125 | 137 | 152 | 250 | 530 | 160 | 50 | 88 | 170 | 166 | 196 | 88 | 70 | 176 |
| BND2230 | 150 | 135 | 147 | 162 | 270 | 550 | 170 | 54 | 97 | 180 | 177 | 202 | 93.5 | 76 | 187 |
| BND2232 | 160 | 140 | 152 | 172 | 290 | 600 | 180 | 58 | 106 | 190 | 189 | 226 | 103 | 78 | 206 |
| BND2234 | 170 | 150 | 166 | 186 | 310 | 640 | 200 | 62 | 111 | 200 | 216 | 256 | 118 | 88 | 236 |
| BND2236 | 180 | 160 | 176 | 196 | 320 | 680 | 210 | 65 | 112 | 210 | 214 | 248 | 114 | 92 | 228 |
| BND2238 | 190 | 170 | 186 | 206 | 340 | 710 | 220 | 85 | 115 | 220 | 222 | 258 | 114 | 98 | 228 |
| BND2240 | 200 | 180 | 196 | 216 | 360 | 780 | 240 | 75 | 128 | 235 | 230 | 269 | 123 | 99 | 246 |
| BND2244 | 220 | 200 | 216 | 236 | 400 | 890 | 250 | 80 | 140 | 270 | 264 | 314 | 142 | 112 | 284 |
| BND2248 | 240 | 220 | 236 | 256 | 440 | 900 | 250 | 90 | 150 | 290 | 268 | 311 | 138 | 120 | 276 |
| BND2252 | 260 | 240 | 260 | 280 | 480 | 960 | 290 | 95 | 161 | 310 | 286 | 326 | 148 | 126 | 296 |
| BND2256 | 280 | 260 | 280 | 300 | 500 | 1000 | 300 | 100 | 160 | 320 | 297 | 354 | 157 | 128 | 314 |
| BND2260 | 300 | 280 | 300 | 320 | 540 | 1100 | 330 | 105 | 178 | 350 | 317 | 352 | 156 | 149 | 312 |
| BND2264 | 320 | 300 | 320 | 340 | 580 | 1150 | 360 | 115 | 180 | 370 | 333 | 381 | 163 | 158 | 326 |
| BND2268 | 340 | 320 | 344 | 364 | 580 | 1200 | 380 | 125 | 201 | 390 | 375 | 430 | 187.5 | 176 | 375 |
| BND2272 | 360 | 340 | 364 | 384 | 600 | 1280 | 400 | 130 | 205 | 410 | 375 | 435 | 185 | 178 | 370 |
| BND2276 | 380 | 360 | 384 | 404 | 620 | 1350 | 405 | 135 | 230 | 425 | 433 | 470 | 203 | 218 | 406 |
| BND2280 | 400 | 380 | 404 | 424 | 650 | 1430 | 450 | 145 | 229 | 450 | 433 | 498 | 216.5 | 202 | 433 |
| BND2284 | 420 | 400 | 430 | 450 | 700 | 1500 | 470 | 150 | 238 | 470 | 433 | 498 | 216.5 | 202 | 433 |

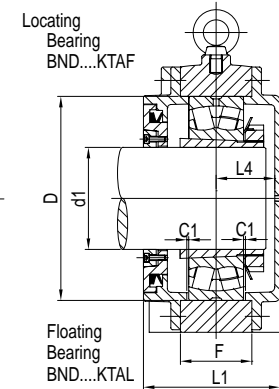
for bearings with cylindrical bore
(Taconite seal)



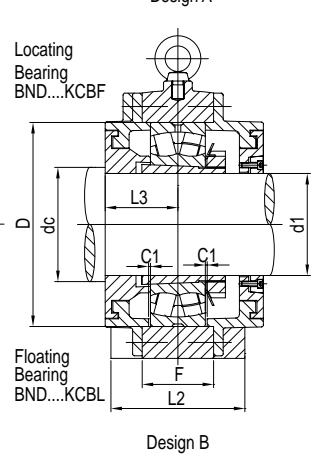
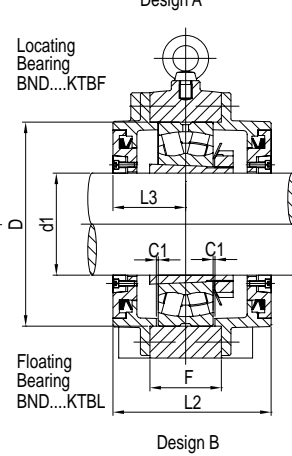
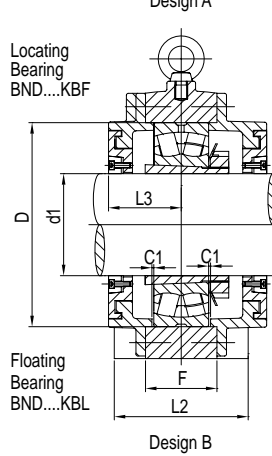
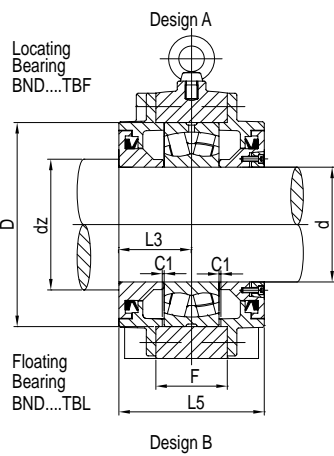
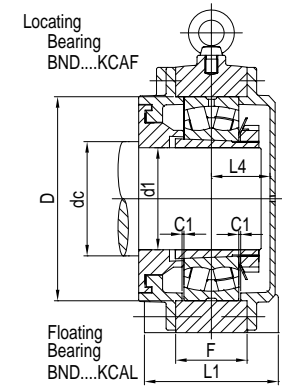
for bearings with tapered bore and
adapter sleeve(labyrinth seal)



for bearings with tapered bore
adapter sleeve(taconite seal)



for bearings with tapered bore and
adapter sleeve, and for shaft with
about shoulders(labyrinth seal)



| H | E | E1 | S2 | S2 Q'ty | C1 | t | U | V | Bolts S | Adapter Sleeve | Housing Weight (kg) | Bearing No. |
|-----|------|-----|-----|------------|-----|-----|----|----|------------|-------------------|---------------------------|-------------|
| 155 | 185 | 40 | M6 | 6 | 2 | 135 | 15 | 20 | M10 | H313 | 23 | 22213 |
| 180 | 225 | 45 | M6 | 6 | 2 | 155 | 20 | 28 | M16 | H315 | 15 | 22215 |
| 220 | 290 | 60 | M8 | 6 | 2 | 185 | 23 | 32 | M20 | H318 | 28 | 22218 |
| 255 | 320 | 65 | M8 | 6 | 2.5 | 205 | 30 | 35 | M24 | H320 | 30 | 22220 |
| 280 | 350 | 70 | M12 | 6 | 2.5 | 230 | 30 | 35 | M24 | H322 | 50 | 22222 |
| 300 | 370 | 75 | M12 | 6 | 2.5 | 245 | 30 | 35 | M24 | H3124 | 58 | 22224 |
| 315 | 400 | 85 | M12 | 6 | 3 | 260 | 30 | 35 | M24 | H3126 | 65 | 22226 |
| 345 | 430 | 85 | M16 | 6 | 3 | 285 | 30 | 35 | M24 | H3128 | 70 | 22228 |
| 365 | 450 | 90 | M16 | 6 | 3 | 305 | 36 | 45 | M30 | H3130 | 85 | 22230 |
| 385 | 490 | 105 | M16 | 6 | 3 | 330 | 36 | 45 | M30 | H3132 | 100 | 22232 |
| 405 | 525 | 110 | M16 | 8 | 3 | 350 | 36 | 45 | M30 | H3134 | 105 | 22234 |
| 425 | 550 | 120 | M16 | 8 | 3 | 370 | 36 | 45 | M30 | H3136 | 130 | 22236 |
| 455 | 560 | 120 | M16 | 8 | 3 | 380 | 42 | 52 | M36 | H3138 | 170 | 22238 |
| 475 | 640 | 140 | M16 | 8 | 4 | 420 | 42 | 52 | M36 | H3140 | 185 | 22240 |
| 550 | 720 | 140 | M20 | 8 | 4 | 455 | 42 | 52 | M36 | H3144X | 290 | 22244 |
| 585 | 750 | 140 | M20 | 8 | 4 | 510 | 42 | 52 | M36 | H3148X | 315 | 22248 |
| 625 | 800 | 160 | M20 | 8 | 3 | 535 | 42 | 52 | M36 | H3152X | 370 | 22252 |
| 645 | 840 | 170 | M24 | 8 | 4 | 555 | 42 | 52 | M36 | H3156X | 420 | 22256 |
| 695 | 920 | 180 | M24 | 8 | 4 | 600 | 56 | 75 | M48 | H3160 | 485 | 22260 |
| 745 | 960 | 200 | M24 | 8 | 5 | 640 | 56 | 75 | M48 | H3164 | 600 | 22264 |
| 790 | 990 | 200 | M30 | 8 | 5 | 680 | 64 | 85 | M56 | H3168 | 635 | 22268 |
| 820 | 1040 | 210 | M30 | 8 | 5 | 710 | 72 | 90 | M64 | H3172 | 690 | 22272 |
| 865 | 1100 | 225 | M30 | 8 | 5 | 745 | 72 | 90 | M64 | H3176 | 900 | 22276 |
| 900 | 1160 | 240 | M30 | 8 | 5 | 790 | 72 | 90 | M64 | H3180 | 940 | 22280 |
| 950 | 1220 | 255 | M30 | 8 | 5 | 835 | 72 | 90 | M64 | H3184 | 1055 | 22284 |

The BND housings are designed for grease lubrication.

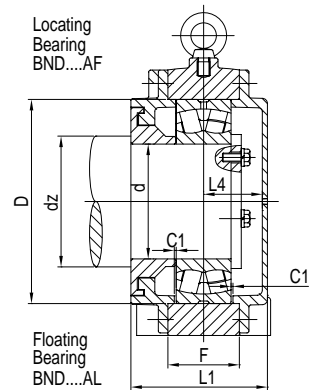
The standard material for the housing bodies is cast steel.

Housing bodies of spheroidal cast iron is available upon request.

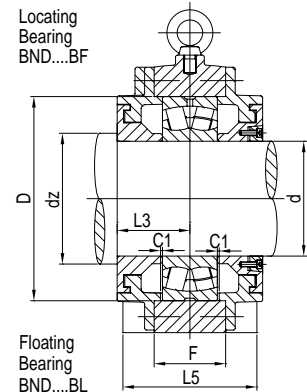
Plummer block housings of series BND are sealed with labyrinths.

On request FSQ supply also Taconite seals (T) where a V ring is integrated in the labyrinth. The seals must be separately re-greaseable.

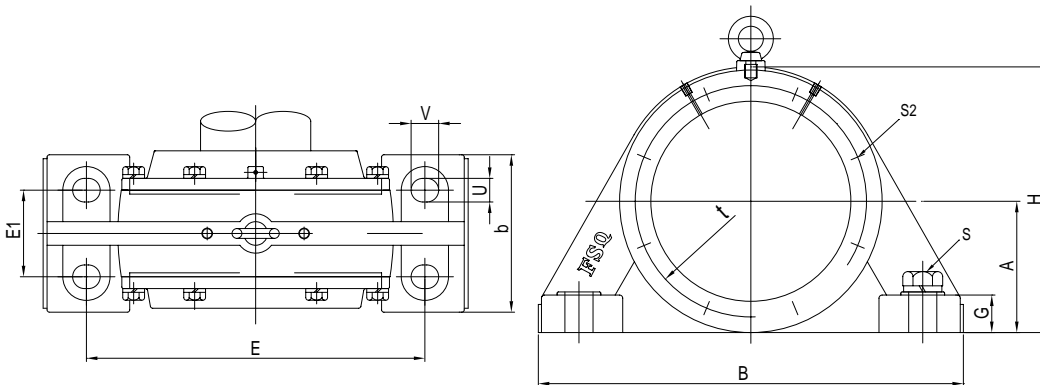
for bearings with cylindrical bore
(labyrinth seal)



Design A

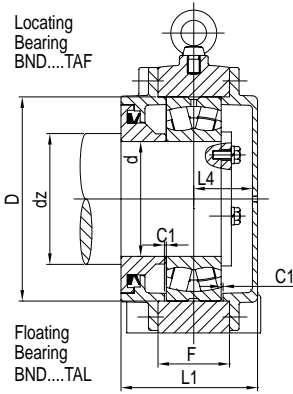


Design B



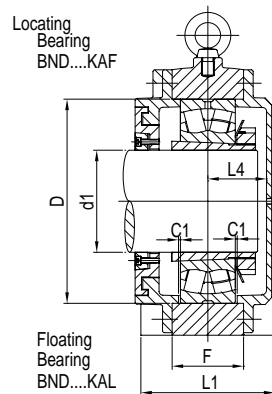
| Housing No. | Shaft Dia | | | | Dimensions mm | | | | | | | | | | |
|-------------|-----------|----------|-----------|-----------|---------------|------|-----|-----|-----|-----|-----|-----|-----|-----|-----|
| | d | d1 mm | dc min | dz min | D | B | b | G | F | A | L1 | L2 | L3 | L4 | L5 |
| BND3024 | 120 | 110 | 118 | 128 | 180 | 370 | 110 | 35 | 60 | 115 | 126 | 146 | 63 | 57 | 126 |
| BND3026 | 130 | 115 | 123 | 138 | 200 | 410 | 120 | 38 | 70 | 130 | 133 | 156 | 68 | 59 | 136 |
| BND3028 | 140 | 125 | 133 | 148 | 210 | 430 | 130 | 40 | 70 | 140 | 136 | 156 | 68 | 61 | 136 |
| BND3030 | 150 | 135 | 143 | 158 | 225 | 455 | 140 | 42 | 80 | 145 | 149 | 176 | 78 | 64 | 156 |
| BND3032 | 160 | 140 | 148 | 168 | 240 | 480 | 150 | 45 | 85 | 155 | 156 | 181 | 78 | 71 | 156 |
| BND3034 | 170 | 150 | 158 | 178 | 260 | 510 | 160 | 50 | 90 | 165 | 166 | 191 | 83 | 75 | 166 |
| BND3036 | 180 | 160 | 168 | 188 | 280 | 540 | 170 | 52 | 100 | 180 | 176 | 201 | 88 | 80 | 176 |
| BND3038 | 190 | 170 | 178 | 198 | 290 | 570 | 180 | 55 | 105 | 185 | 181 | 211 | 93 | 80 | 186 |
| BND3040 | 200 | 180 | 188 | 208 | 310 | 600 | 190 | 60 | 110 | 200 | 196 | 226 | 98 | 90 | 196 |
| BND3044 | 220 | 200 | 212 | 232 | 340 | 640 | 200 | 65 | 115 | 215 | 206 | 241 | 103 | 95 | 206 |
| BND3048 | 240 | 220 | 232 | 252 | 360 | 680 | 210 | 70 | 120 | 225 | 216 | 251 | 108 | 100 | 216 |
| BND3052 | 260 | 240 | 256 | 276 | 400 | 720 | 220 | 75 | 130 | 250 | 226 | 261 | 113 | 103 | 226 |
| BND3056 | 280 | 260 | 276 | 296 | 420 | 760 | 240 | 80 | 135 | 260 | 236 | 281 | 118 | 108 | 236 |
| BND3060 | 300 | 280 | 296 | 316 | 460 | 820 | 250 | 85 | 140 | 285 | 261 | 296 | 128 | 121 | 256 |
| BND3064 | 320 | 300 | 316 | 336 | 480 | 860 | 260 | 90 | 150 | 295 | 266 | 311 | 133 | 123 | 266 |
| BND3068 | 340 | 320 | 340 | 360 | 520 | 900 | 270 | 95 | 160 | 315 | 276 | 311 | 133 | 132 | 266 |
| BND3072 | 360 | 340 | 360 | 380 | 540 | 960 | 280 | 100 | 170 | 330 | 290 | 325 | 140 | 138 | 280 |
| BND3076 | 380 | 360 | 380 | 400 | 560 | 1000 | 300 | 105 | 160 | 340 | 294 | 329 | 142 | 141 | 284 |
| BND3080 | 400 | 380 | 400 | 420 | 600 | 1060 | 320 | 110 | 175 | 360 | 310 | 355 | 150 | 145 | 300 |
| BND3084 | 420 | 400 | 420 | 440 | 620 | 1100 | 340 | 115 | 180 | 375 | 310 | 350 | 150 | 149 | 300 |

for bearings with cylindrical bore
(Taconite seal)



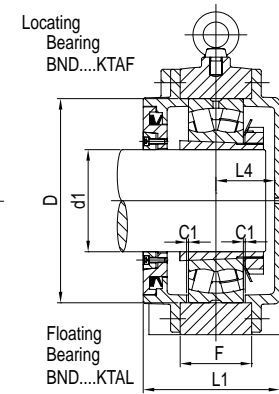
Design A

for bearings with tapered bore and
adapter sleeve(labyrinth seal)



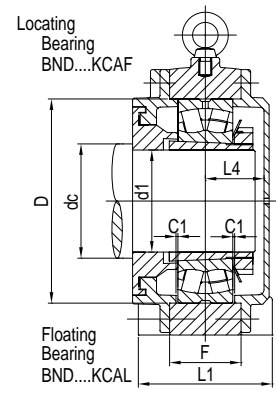
Design A

for bearings with tapered bore
adapter sleeve(taconite seal)

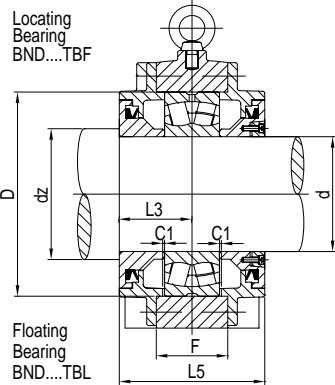


Design A

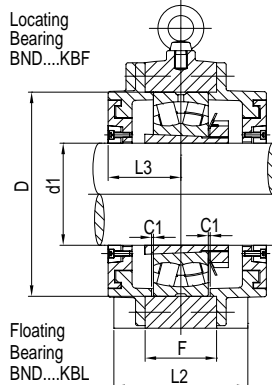
for bearings with tapered bore and
adapter sleeve, and for shaft with
about shoulders(labyrinth seal)



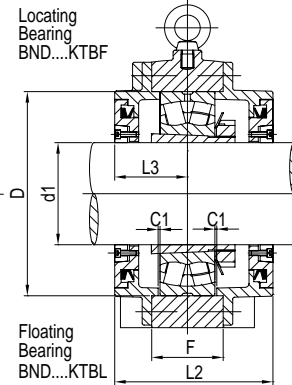
Design A



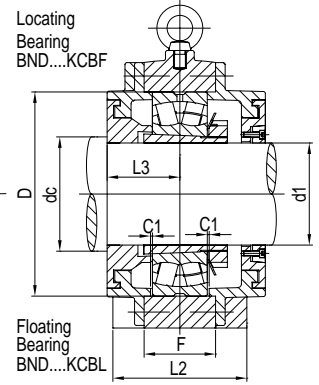
Design B



Design B



Design B



Design B

| H | E | E1 | S2 | S2 Q'ty | C1 | t | U | V | Bolts S | Adapter Sleeve | Housing Weight (kg) | Bearing No. |
|-----|-----|-----|-----|------------|-----|-----|----|----|------------|-------------------|---------------------------|-------------|
| 230 | 300 | 60 | M8 | 8 | 2.5 | 205 | 25 | 35 | M20 | H3024 | 20 | 23024 |
| 260 | 340 | 60 | M10 | 8 | 2 | 225 | 25 | 35 | M20 | H3026 | 30 | 23026 |
| 275 | 360 | 70 | M10 | 8 | 3 | 240 | 30 | 35 | M24 | H3028 | 35 | 23028 |
| 290 | 370 | 80 | M12 | 8 | 3 | 250 | 30 | 35 | M24 | H3030 | 40 | 23030 |
| 310 | 390 | 90 | M12 | 8 | 3 | 265 | 30 | 35 | M24 | H3032 | 45 | 23032 |
| 330 | 420 | 95 | M12 | 8 | 2 | 285 | 36 | 45 | M30 | H3034 | 70 | 23034 |
| 360 | 450 | 100 | M12 | 8 | 3 | 310 | 36 | 45 | M30 | H3036 | 70 | 23036 |
| 370 | 480 | 105 | M12 | 8 | 3 | 325 | 36 | 45 | M30 | H3038 | 80 | 23038 |
| 400 | 510 | 110 | M16 | 8 | 3 | 340 | 36 | 45 | M30 | H3040 | 95 | 23040 |
| 430 | 540 | 115 | M16 | 8 | 3 | 375 | 42 | 52 | M36 | H3044X | 100 | 23044 |
| 455 | 560 | 120 | M16 | 8 | 4 | 400 | 42 | 52 | M36 | H3048 | 130 | 23048 |
| 500 | 600 | 130 | M16 | 8 | 4 | 440 | 42 | 52 | M36 | H3052X | 160 | 23052 |
| 520 | 630 | 140 | M16 | 8 | 4 | 460 | 42 | 52 | M36 | H3056 | 180 | 23056 |
| 570 | 690 | 150 | M16 | 8 | 4 | 510 | 42 | 52 | M36 | H3060 | 220 | 23060 |
| 590 | 730 | 160 | M16 | 8 | 4 | 530 | 42 | 52 | M36 | H3064 | 250 | 23064 |
| 630 | 770 | 170 | M20 | 8 | 5 | 565 | 42 | 52 | M36 | H3068 | 300 | 23068 |
| 660 | 820 | 180 | M20 | 8 | 5 | 590 | 42 | 52 | M36 | H3072 | 330 | 23072 |
| 680 | 840 | 190 | M20 | 8 | 7 | 610 | 56 | 52 | M48 | H3076 | 360 | 23076 |
| 720 | 900 | 210 | M20 | 8 | 7 | 650 | 56 | 75 | M48 | H3080 | 400 | 23080 |
| 755 | 940 | 210 | M20 | 8 | 7 | 670 | 56 | 75 | M48 | H3084 | 435 | 23084 |

The BND housings are designed for grease lubrication.

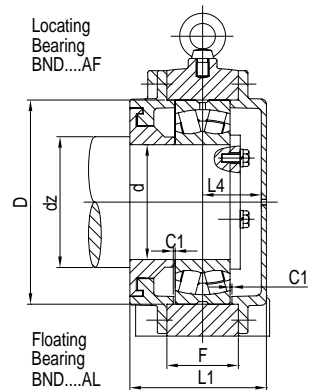
The standard material for the housing bodies is cast steel.

Housing bodies of spheroidal cast iron is available upon request.

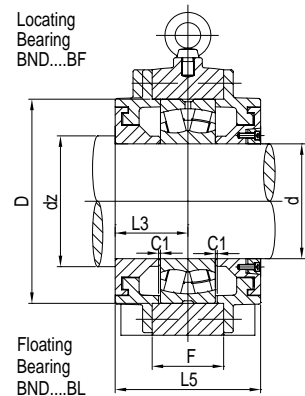
Plummer block housings of series BND are sealed with labyrinths.

On request FSQ supply also Taconite seals (T) where a V ring is integrated in the labyrinth. The seals must be separately re-greaseable.

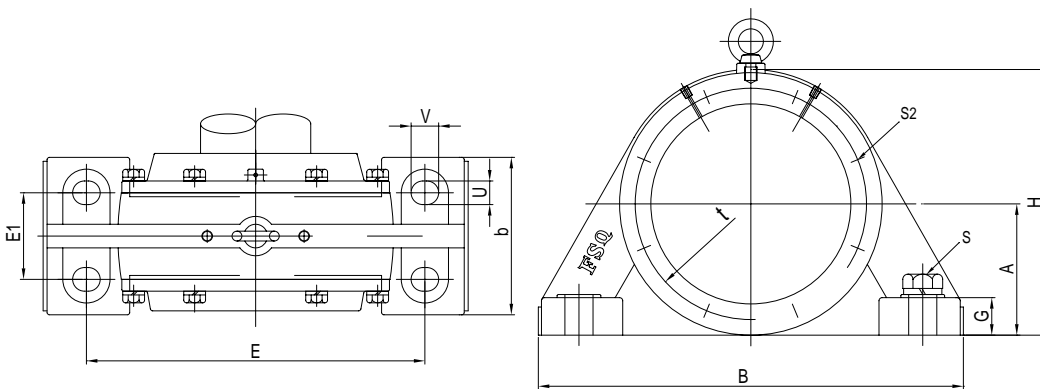
for bearings with cylindrical bore
(labyrinth seal)



Design A

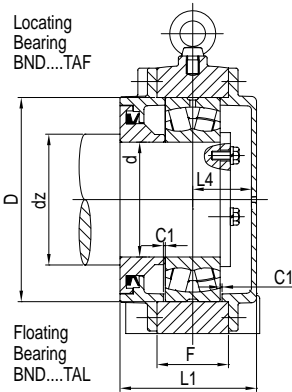


Design B



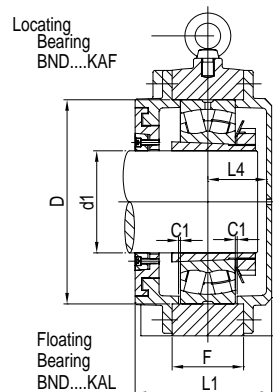
| Housing No. | Shaft Dia | | | | Dimensions mm | | | | | | | | | | |
|-------------|-----------|----------|-----------|-----------|---------------|------|-----|-----|-----|-----|-----|-----|-----|-----|-----|
| | d | d1 mm | dc min | dz min | D | B | b | G | F | A | L1 | L2 | L3 | L4 | L5 |
| BND3122 | 110 | 100 | 108 | 118 | 180 | 400 | 140 | 40 | 80 | 130 | 146 | 171 | 78 | 62 | 156 |
| BND3124 | 120 | 110 | 118 | 128 | 210 | 410 | 150 | 40 | 85 | 140 | 160 | 180 | 80 | 74 | 160 |
| BND3126 | 130 | 115 | 123 | 138 | 225 | 430 | 150 | 40 | 90 | 145 | 165 | 190 | 85 | 72 | 170 |
| BND3128 | 140 | 125 | 133 | 148 | 250 | 470 | 160 | 45 | 95 | 155 | 170 | 190 | 85 | 77 | 170 |
| BND3130 | 150 | 135 | 143 | 158 | 270 | 580 | 200 | 60 | 102 | 170 | 186 | 206 | 93 | 85 | 186 |
| BND3132 | 160 | 140 | 148 | 168 | 280 | 540 | 200 | 55 | 110 | 180 | 200 | 230 | 105 | 87 | 210 |
| BND3134 | 170 | 150 | 158 | 178 | 300 | 570 | 200 | 55 | 120 | 190 | 215 | 250 | 115 | 90 | 230 |
| BND3136 | 180 | 160 | 172 | 192 | 320 | 600 | 200 | 58 | 125 | 200 | 220 | 250 | 115 | 95 | 230 |
| BND3138 | 190 | 170 | 182 | 202 | 320 | 600 | 210 | 65 | 130 | 210 | 232 | 266 | 123 | 98 | 246 |
| BND3140 | 200 | 180 | 192 | 212 | 340 | 710 | 220 | 85 | 135 | 220 | 242 | 278 | 124 | 108 | 248 |
| BND3144 | 220 | 200 | 216 | 236 | 370 | 780 | 240 | 75 | 150 | 235 | 252 | 291 | 134 | 110 | 268 |
| BND3148 | 240 | 220 | 236 | 256 | 400 | 890 | 250 | 80 | 160 | 270 | 284 | 334 | 152 | 122 | 304 |
| BND3152 | 260 | 240 | 256 | 276 | 440 | 900 | 250 | 90 | 174 | 290 | 292 | 335 | 150 | 132 | 300 |
| BND3156 | 280 | 260 | 280 | 300 | 460 | 900 | 250 | 90 | 176 | 290 | 294 | 337 | 151 | 133 | 302 |
| BND3160 | 300 | 280 | 300 | 320 | 500 | 1000 | 300 | 100 | 190 | 320 | 327 | 384 | 172 | 143 | 344 |
| BND3164 | 320 | 300 | 320 | 340 | 540 | 1150 | 300 | 100 | 210 | 350 | 359 | 412 | 186 | 161 | 372 |
| BND3168 | 340 | 320 | 340 | 360 | 580 | 1150 | 360 | 115 | 220 | 370 | 373 | 421 | 183 | 178 | 366 |
| BND3172 | 360 | 340 | 360 | 380 | 600 | 1200 | 370 | 115 | 225 | 380 | 400 | 450 | 200 | 188 | 400 |
| BND3176 | 380 | 360 | 380 | 400 | 620 | 1200 | 380 | 125 | 230 | 390 | 404 | 459 | 202 | 190 | 404 |
| BND3180 | 400 | 380 | 404 | 424 | 650 | 1280 | 400 | 130 | 235 | 410 | 405 | 465 | 200 | 193 | 400 |
| BND3184 | 420 | 400 | 424 | 444 | 700 | 1350 | 420 | 135 | 260 | 450 | 440 | 510 | 210 | 215 | 420 |

for bearings with cylindrical bore
(Taconite seal)



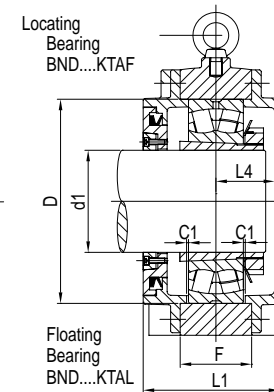
Design A

for bearings with tapered bore and
adapter sleeve(labyrinth seal)



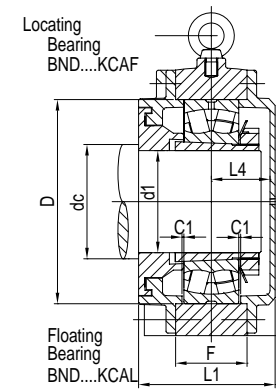
Design A

for bearings with tapered bore
adapter sleeve(taconite seal)

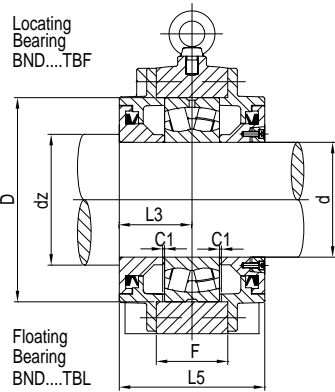


Design A

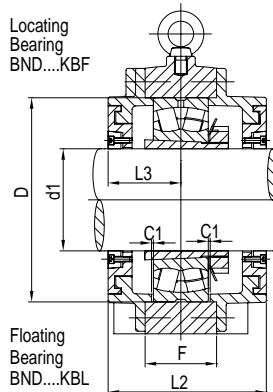
for bearings with tapered bore and
adapter sleeve, and for shaft with
aboutment shoulders(labyrinth seal)



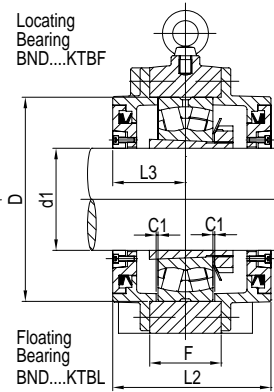
Design A



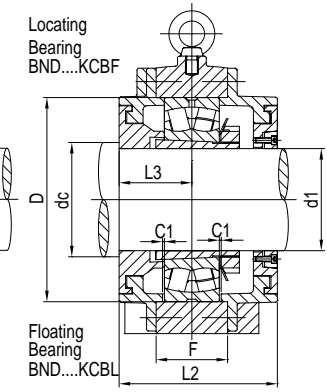
Design B



Design B



Design B



Design B

| H | E | E1 | S2 | S2 Q'ty | C1 | t | U | V | Bolts S | Adapter Sleeve | Housing Weight (kg) | Bearing No. |
|-----|------|-----|-----|------------|-----|-----|----|----|------------|-------------------|---------------------------|-------------|
| 263 | 300 | 80 | M12 | 8 | 2.5 | 215 | 25 | 35 | M20 | H3122 | 40 | 23122 |
| 280 | 330 | 80 | M12 | 8 | 2.5 | 235 | 25 | 35 | M20 | H3124 | 50 | 23124 |
| 295 | 350 | 80 | M12 | 8 | 3 | 245 | 25 | 35 | M20 | H3126 | 55 | 23126 |
| 315 | 380 | 85 | M12 | 8 | 3 | 270 | 25 | 35 | M20 | H3128 | 60 | 23128 |
| 345 | 450 | 110 | M12 | 8 | 2 | 285 | 30 | 35 | M24 | H3130 | 70 | 23130 |
| 360 | 430 | 110 | M16 | 8 | 3 | 310 | 30 | 35 | M24 | H3132 | 80 | 23132 |
| 380 | 470 | 110 | M12 | 8 | 3 | 330 | 36 | 45 | M30 | H3134 | 100 | 23134 |
| 395 | 490 | 105 | M16 | 8 | 3 | 350 | 36 | 45 | M30 | H3136 | 110 | 23136 |
| 425 | 550 | 120 | M16 | 8 | 3 | 370 | 36 | 45 | M30 | H3138 | 125 | 23138 |
| 455 | 560 | 120 | M16 | 8 | 3 | 380 | 42 | 52 | M36 | H3140 | 170 | 23140 |
| 475 | 640 | 140 | M16 | 8 | 4 | 420 | 42 | 52 | M36 | H3144X | 190 | 23144 |
| 550 | 720 | 140 | M20 | 8 | 4 | 455 | 42 | 52 | M36 | H3148X | 280 | 23148 |
| 585 | 750 | 140 | M20 | 8 | 4 | 510 | 42 | 52 | M36 | H3152X | 310 | 23152 |
| 585 | 750 | 140 | M20 | 8 | 4 | 510 | 42 | 52 | M36 | H3156X | 335 | 23156 |
| 645 | 840 | 170 | M24 | 8 | 4 | 555 | 42 | 52 | M36 | H3160 | 400 | 23160 |
| 700 | 940 | 160 | M24 | 8 | 4 | 590 | 42 | 52 | M48 | H3168 | 520 | 23168 |
| 760 | 1000 | 200 | M24 | 8 | 4 | 650 | 56 | 75 | M48 | H3172 | 600 | 23172 |
| 790 | 1000 | 200 | M30 | 8 | 5 | 680 | 64 | 85 | M56 | H3176 | 720 | 23176 |
| 820 | 1040 | 210 | M30 | 8 | 5 | 710 | 72 | 90 | M64 | H3180 | 750 | 23180 |
| 900 | 1100 | 210 | M30 | 8 | 7 | 760 | 64 | 90 | M56 | H3184 | 950 | 23184 |

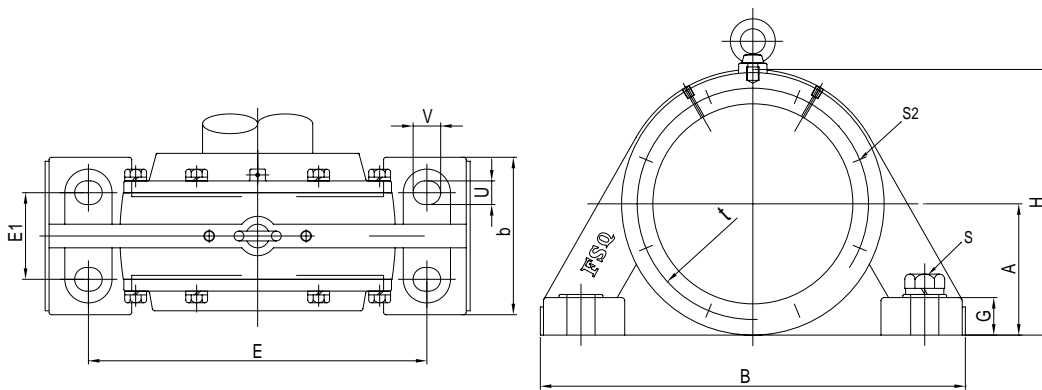
The BND housings are designed for grease lubrication.

The standard material for the housing bodies is cast steel.

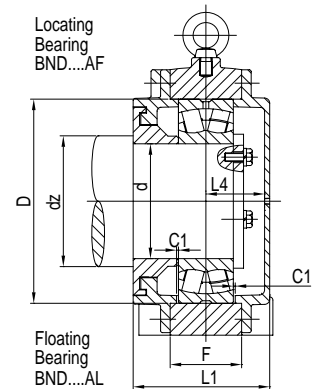
Housing bodies of spheroidal cast iron is available upon request.

Plummer block housings of series BND are sealed with labyrinths.

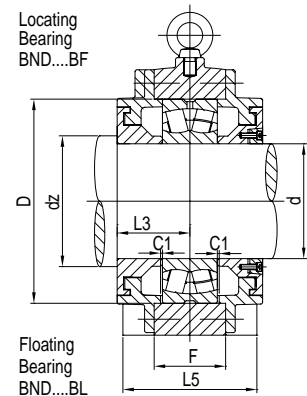
On request FSQ supply also Taconite seals (T) where a V ring is integrated in the labyrinth. The seals must be separately re-greaseable.



for bearings with cylindrical bore (labyrinth seal)



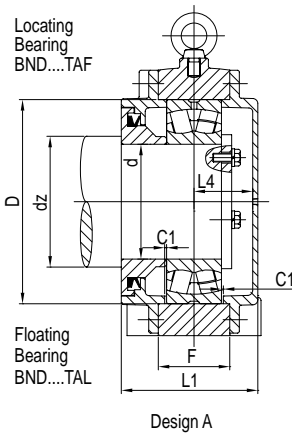
Design A



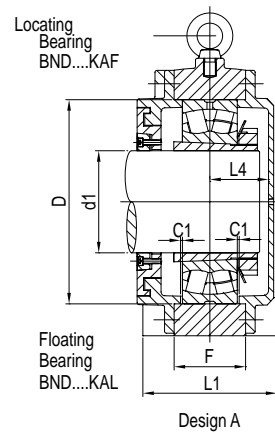
Design B

| Housing No. | Shaft Dia | | | | Dimensions mm | | | | | | | | | | |
|-------------|-----------|----------|-----------|-----------|---------------|------|-----|-----|------|-----|-----|-----|-----|-----|-----|
| | d | d1 mm | dc min | dz min | D | B | b | G | F | A | L1 | L2 | L3 | L4 | L5 |
| BND3222 | 110 | 100 | 108 | 118 | 200 | 440 | 130 | 42 | 89.8 | 140 | 166 | 194 | 91 | 68 | 182 |
| BND3224 | 120 | 110 | 118 | 128 | 215 | 470 | 140 | 42 | 95 | 150 | 161 | 186 | 83 | 70 | 166 |
| BND3226 | 130 | 115 | 127 | 142 | 230 | 500 | 150 | 45 | 100 | 160 | 188 | 218 | 103 | 77 | 208 |
| BND3228 | 140 | 125 | 137 | 152 | 250 | 530 | 160 | 50 | 108 | 170 | 186 | 216 | 98 | 80 | 196 |
| BND3230 | 150 | 135 | 147 | 162 | 270 | 550 | 170 | 54 | 120 | 180 | 200 | 225 | 105 | 87 | 210 |
| BND3232 | 160 | 140 | 152 | 172 | 290 | 600 | 180 | 58 | 130 | 190 | 213 | 250 | 115 | 90 | 230 |
| BND3234 | 170 | 150 | 166 | 186 | 310 | 640 | 200 | 62 | 135 | 200 | 240 | 280 | 130 | 100 | 260 |
| BND3236 | 180 | 160 | 176 | 196 | 320 | 680 | 210 | 65 | 138 | 210 | 240 | 274 | 127 | 105 | 254 |
| BND3238 | 190 | 170 | 186 | 206 | 340 | 710 | 220 | 85 | 143 | 220 | 250 | 286 | 128 | 112 | 256 |
| BND3240 | 200 | 180 | 196 | 216 | 360 | 780 | 240 | 75 | 158 | 235 | 260 | 299 | 138 | 114 | 276 |
| BND3244 | 220 | 200 | 216 | 236 | 400 | 850 | 250 | 80 | 175 | 260 | 279 | 329 | 147 | 122 | 294 |
| BND3248 | 240 | 220 | 236 | 256 | 440 | 900 | 250 | 90 | 190 | 290 | 308 | 351 | 158 | 140 | 316 |
| BND3252 | 260 | 240 | 260 | 280 | 480 | 960 | 290 | 95 | 205 | 310 | 330 | 370 | 170 | 148 | 340 |
| BND3256 | 280 | 260 | 280 | 300 | 500 | 1000 | 300 | 100 | 206 | 320 | 343 | 400 | 180 | 151 | 360 |
| BND3260 | 300 | 280 | 300 | 320 | 540 | 1100 | 330 | 105 | 230 | 350 | 369 | 404 | 182 | 175 | 364 |
| BND3264 | 320 | 300 | 320 | 340 | 580 | 1150 | 360 | 115 | 238 | 370 | 391 | 439 | 192 | 187 | 384 |
| BND3268 | 340 | 320 | 344 | 364 | 580 | 1200 | 380 | 125 | 260 | 390 | 434 | 489 | 217 | 205 | 434 |
| BND3272 | 360 | 340 | 364 | 384 | 650 | 1280 | 400 | 130 | 267 | 410 | 437 | 497 | 216 | 209 | 432 |
| BND3276 | 380 | 360 | 384 | 404 | 680 | 1350 | 405 | 135 | 295 | 425 | 489 | 529 | 232 | 244 | 464 |
| BND3280 | 400 | 380 | 404 | 424 | 720 | 1430 | 450 | 145 | 300 | 450 | 504 | 569 | 252 | 237 | 504 |
| BND3284 | 420 | 400 | 430 | 450 | 760 | 1500 | 470 | 150 | 315 | 470 | 510 | 575 | 255 | 240 | 510 |

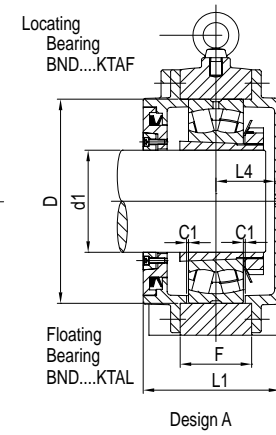
for bearings with cylindrical bore
(Taconite seal)



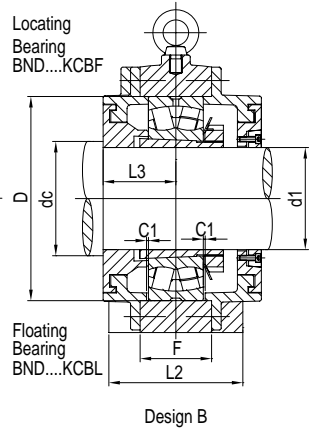
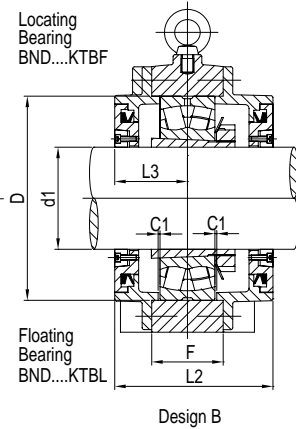
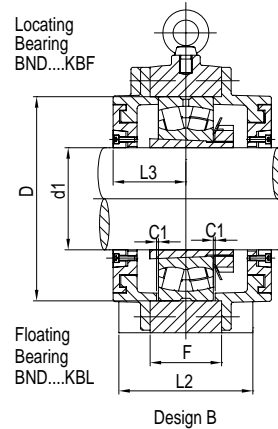
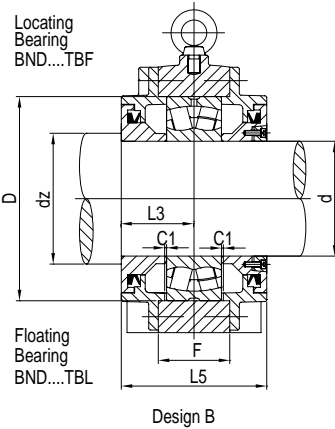
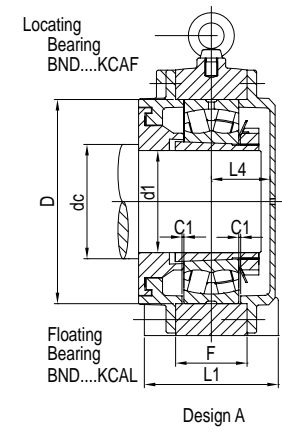
for bearings with tapered bore and
adapter sleeve(labyrinth seal)



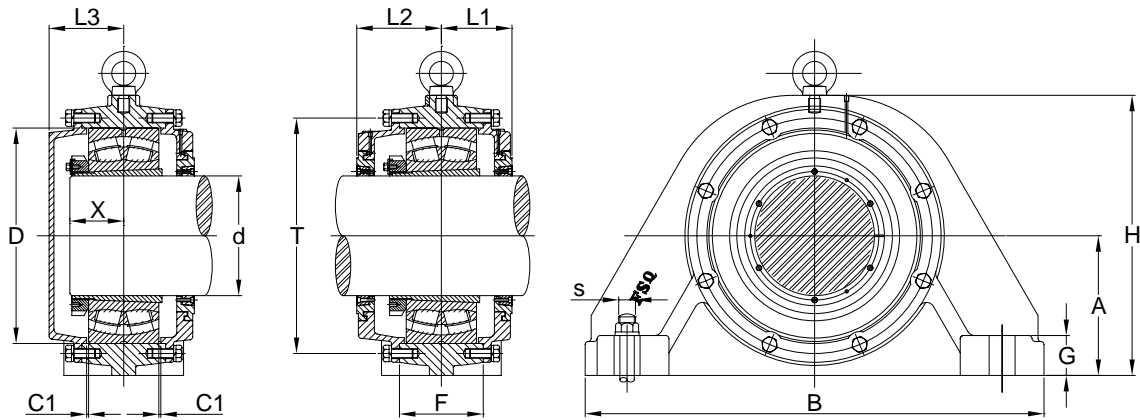
for bearings with tapered bore
adapter sleeve(taconite seal)



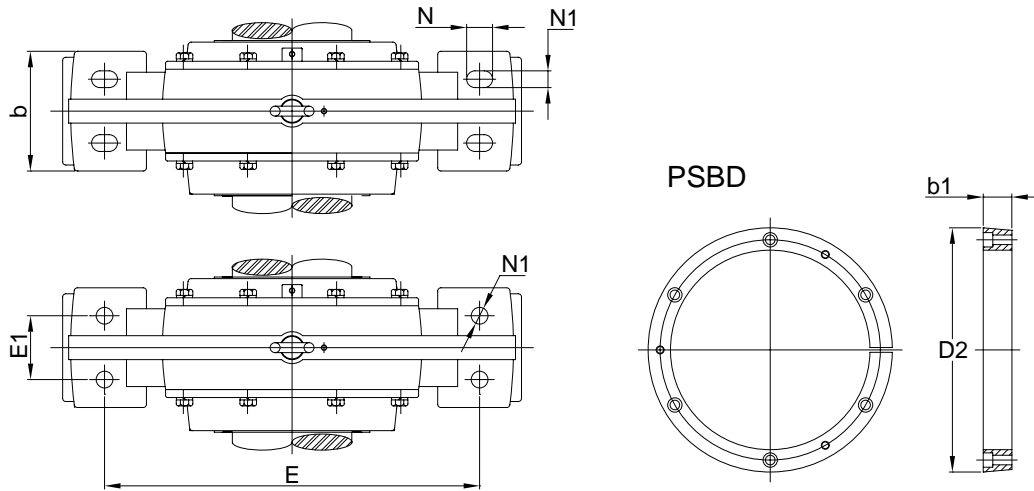
for bearings with tapered bore and
adapter sleeve,and for shaft with
aboutment shoulders(labyrinth seal)



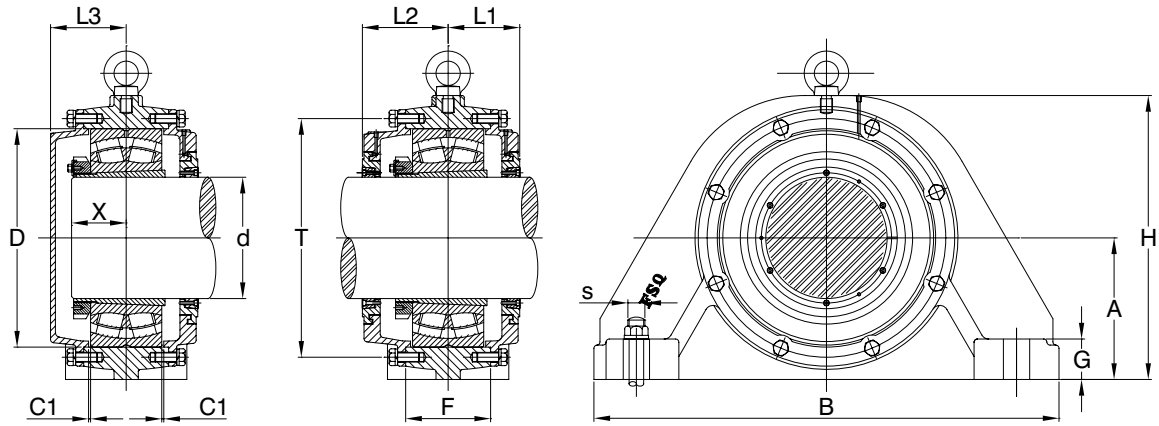
| H | E | E1 | S2 | S2 Q'ty | C1 | t | U | V | Bolts S | Adapter Sleeve | Housing Weight (kg) | Bearing No. |
|-----|------|-----|-----|------------|-----|-----|----|----|------------|-------------------|---------------------------|-------------|
| 280 | 350 | 70 | M12 | 6 | 2.5 | 230 | 30 | 35 | M24 | H2322 | 35 | 23222 |
| 300 | 370 | 75 | M12 | 6 | 2.5 | 245 | 30 | 35 | M24 | H2324 | 40 | 23224 |
| 315 | 400 | 85 | M12 | 6 | 3 | 260 | 30 | 35 | M24 | H2326 | 50 | 23226 |
| 345 | 430 | 85 | M16 | 6 | 3 | 285 | 30 | 35 | M24 | H2328 | 65 | 23228 |
| 365 | 450 | 90 | M16 | 6 | 3 | 305 | 36 | 45 | M30 | H2330 | 75 | 23230 |
| 385 | 490 | 105 | M16 | 6 | 3 | 330 | 36 | 45 | M30 | H2332 | 90 | 23232 |
| 405 | 525 | 110 | M16 | 8 | 3 | 350 | 36 | 45 | M30 | H2334 | 120 | 23234 |
| 425 | 550 | 120 | M16 | 8 | 3 | 370 | 36 | 45 | M30 | H2336 | 140 | 23236 |
| 455 | 560 | 120 | M16 | 8 | 3 | 380 | 42 | 52 | M36 | H2338 | 170 | 23238 |
| 475 | 640 | 140 | M16 | 8 | 4 | 420 | 42 | 52 | M36 | H2340 | 205 | 23240 |
| 525 | 700 | 140 | M20 | 8 | 4 | 445 | 42 | 52 | M36 | H2344X | 240 | 23244 |
| 585 | 750 | 140 | M20 | 8 | 4 | 510 | 42 | 52 | M36 | H2348X | 330 | 23248 |
| 625 | 800 | 160 | M20 | 8 | 3 | 535 | 42 | 52 | M36 | H2352X | 380 | 23252 |
| 645 | 840 | 170 | M24 | 8 | 4 | 555 | 42 | 52 | M36 | H2356X | 490 | 23256 |
| 705 | 920 | 180 | M24 | 8 | 4 | 600 | 56 | 75 | M48 | H3260 | 570 | 23260 |
| 745 | 960 | 200 | M24 | 8 | 5 | 640 | 56 | 75 | M48 | H3264 | 665 | 23264 |
| 790 | 990 | 200 | M30 | 8 | 5 | 680 | 64 | 85 | M56 | H3268 | 755 | 23268 |
| 820 | 1040 | 210 | M30 | 8 | 5 | 710 | 72 | 90 | M64 | H3272 | 950 | 23272 |
| 860 | 1100 | 225 | M30 | 8 | 5 | 745 | 72 | 90 | M64 | H3276 | 1100 | 23276 |
| 900 | 1160 | 240 | M30 | 8 | 5 | 790 | 72 | 90 | M64 | H3280 | 1205 | 23280 |
| 950 | 1220 | 255 | M30 | 8 | 5 | 835 | 72 | 90 | M64 | H3284 | 1310 | 23284 |



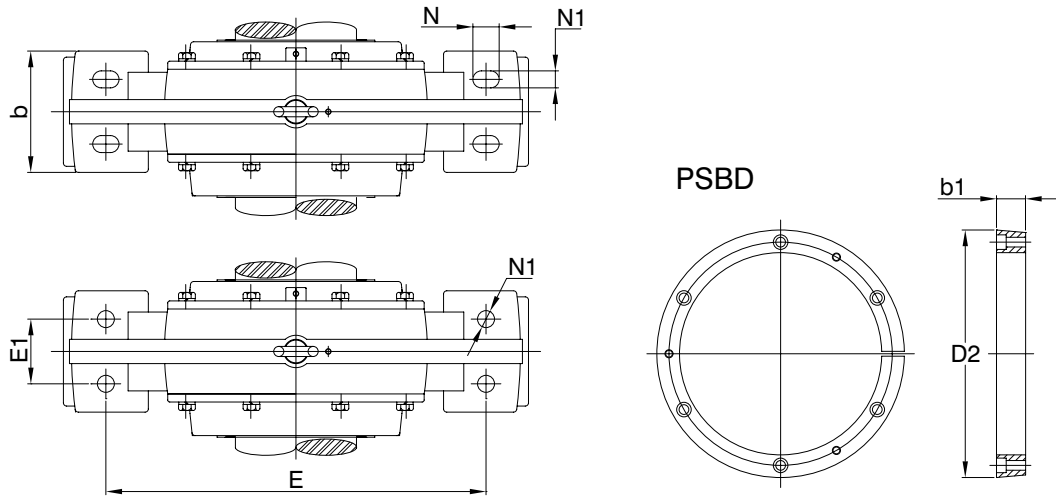
| Housing No. | Shaft Dia. d | Dimensions mm | | | | | | | | | | | | | | |
|-------------|-----------------|---------------|-----|-----|----|-----|-----|-------|-------|-----|-----|-----|-----|-----|-----|----|
| | | D | B | b | G | F | A | L1 | L2 | L3 | H | E | E1 | T | S | N |
| | | P.C.D | | | | | | | | | | | | | | |
| SBD 2220 | 90 | 180 | 370 | 110 | 35 | 56 | 115 | 70 | 85 | 63 | 230 | 300 | 60 | 195 | M20 | - |
| SBD 3122 | 100 | 180 | 400 | 150 | 40 | 80 | 130 | 81 | 102 | 83 | 270 | 300 | 80 | 215 | M20 | 35 |
| SBD 2222 | | 200 | 410 | 120 | 38 | 64 | 130 | 78 | 90 | 68 | 260 | 340 | 60 | 215 | M20 | - |
| SBD 3222 | | 200 | 440 | 130 | 42 | 90 | 140 | 91 | 103 | 76 | 285 | 350 | 70 | 230 | M24 | - |
| SBD 3024 | | 180 | 370 | 110 | 35 | 56 | 115 | 63 | 83 | 63 | 230 | 300 | 60 | 195 | M20 | - |
| SBD 3124 | 110 | 200 | 410 | 140 | 40 | 85 | 140 | 76 | 93 | 78 | 285 | 330 | 80 | 230 | M20 | 35 |
| SBD 2224 | | 215 | 430 | 130 | 40 | 70 | 140 | 80.5 | 95.5 | 68 | 275 | 360 | 70 | 230 | M24 | - |
| SBD 3224 | | 215 | 470 | 140 | 42 | 95 | 150 | 93 | 108 | 78 | 305 | 370 | 75 | 245 | M24 | 35 |
| SBD 3026 | | 200 | 410 | 120 | 38 | 64 | 130 | 68 | 88 | 68 | 260 | 340 | 60 | 215 | M20 | - |
| SBD 3126 | 115 | 210 | 430 | 140 | 40 | 90 | 145 | 80 | 100 | 80 | 295 | 350 | 80 | 240 | M20 | 35 |
| SBD 2226 | | 230 | 455 | 140 | 42 | 76 | 145 | 88 | 98 | 70 | 290 | 370 | 80 | 245 | M24 | - |
| SBD 3226 | | 230 | 500 | 150 | 45 | 100 | 160 | 103 | 108 | 78 | 325 | 400 | 85 | 260 | M24 | 40 |
| SBD 3028 | | 210 | 430 | 130 | 40 | 70 | 140 | 68 | 88 | 68 | 275 | 360 | 70 | 230 | M24 | - |
| SBD 3128 | 125 | 225 | 470 | 150 | 45 | 95 | 155 | 85 | 110 | 85 | 315 | 380 | 85 | 260 | M20 | 35 |
| SBD 2228 | | 250 | 510 | 160 | 50 | 82 | 165 | 94 | 104 | 83 | 330 | 420 | 95 | 275 | M30 | - |
| SBD 3228 | | 250 | 530 | 160 | 50 | 110 | 170 | 108 | 118 | 88 | 350 | 430 | 85 | 285 | M24 | 40 |
| SBD 3030 | | 225 | 455 | 140 | 42 | 76 | 145 | 73 | 94 | 70 | 290 | 370 | 80 | 245 | M24 | - |
| SBD 3130 | 135 | 250 | 580 | 200 | 60 | 102 | 170 | 93 | 113 | 93 | 345 | 450 | 110 | 285 | M30 | 45 |
| SBD 2230 | | 270 | 540 | 170 | 52 | 90 | 180 | 98 | 108 | 88 | 360 | 450 | 100 | 300 | M30 | - |
| SBD 3230 | | 270 | 550 | 170 | 54 | 120 | 180 | 113 | 123 | 93 | 375 | 450 | 90 | 305 | M30 | 45 |
| SBD 3032 | | 240 | 480 | 150 | 45 | 76 | 155 | 78 | 98 | 76 | 310 | 390 | 90 | 260 | M24 | - |
| SBD 3132 | 140 | 270 | 540 | 200 | 55 | 110 | 180 | 98 | 123 | 98 | 368 | 430 | 110 | 310 | M24 | 40 |
| SBD 2232 | | 290 | 570 | 180 | 55 | 96 | 185 | 101 | 116 | 88 | 370 | 480 | 105 | 315 | M30 | - |
| SBD 3232 | | 290 | 600 | 180 | 58 | 130 | 190 | 118 | 133 | 98 | 395 | 490 | 105 | 330 | M30 | - |
| SBD 3034 | | 260 | 510 | 160 | 50 | 82 | 165 | 78 | 103 | 83 | 330 | 420 | 95 | 280 | M30 | - |
| SBD 3134 | 150 | 280 | 570 | 200 | 60 | 120 | 190 | 113 | 136 | 112 | 395 | 470 | 110 | 330 | M30 | 45 |
| SBD 2234 | | 310 | 600 | 190 | 60 | 104 | 200 | 112.5 | 127.5 | 97 | 400 | 510 | 110 | 335 | M30 | - |
| SBD 3234 | | 310 | 640 | 200 | 62 | 135 | 200 | 128 | 143 | 103 | 410 | 525 | 110 | 345 | M30 | 45 |



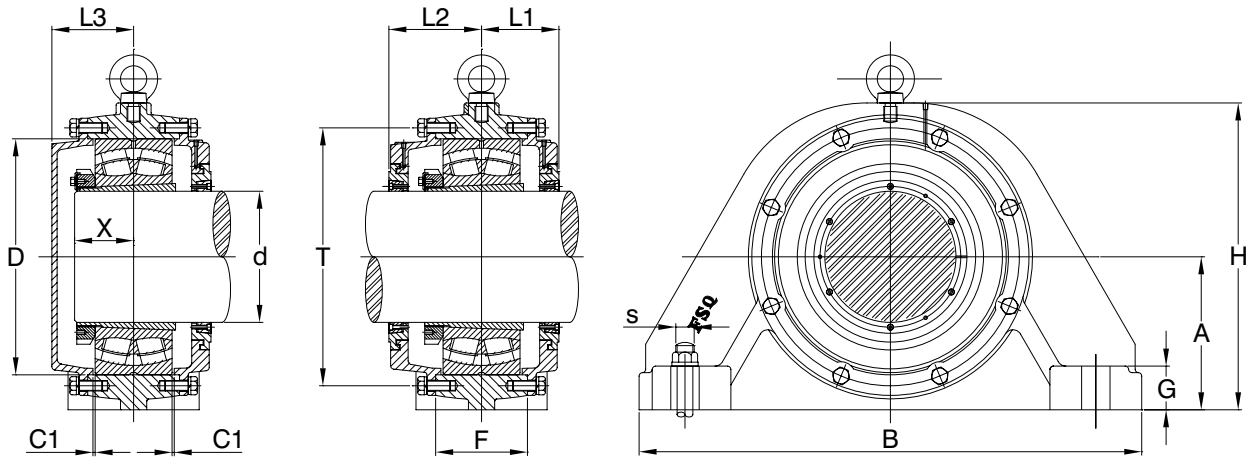
| | | | Bearing No. | Adapter Sleeve | Weight | | Adapter Ring Designation | Dimensions | | Housing No. |
|----|----|----|---------------|----------------|--------|------|--------------------------|------------|----|-----------------|
| N1 | X | C1 | | | A | B | | D2 | b1 | |
| | | | | | (kg) | (kg) | | | | |
| 24 | 45 | 2 | 22220 CCK/W33 | H 320 | 23 | 25 | PSBD 90 | 118 | 18 | SBD 2220 |
| 25 | 52 | 2 | 23122 CCK/W33 | H 3122 | 40 | 45 | PSBD 100 | 128 | 18 | SBD 3122 |
| 24 | 50 | 2 | 22222 CCK/W33 | H 322 | 37 | 40 | PSBD 100 | 128 | 18 | SBD 2222 |
| 28 | 60 | 2 | 23222 CCK/W33 | H 2322 | 46 | 50 | PSBD 100 | 128 | 18 | SBD 3222 |
| 24 | 48 | 2 | 23024 CCK/W33 | H 3024 | 19 | 20 | PSBD 110 | 138 | 18 | SBD 3024 |
| 25 | 56 | 2 | 23124 CCK/W33 | H 3124 | 45 | 50 | PSBD 110 | 138 | 18 | SBD 3124 |
| 28 | 55 | 3 | 22224 CCK/W33 | H 3124 | 43 | 46 | PSBD 110 | 138 | 18 | SBD 2224 |
| 30 | 64 | 2 | 23224 CCK/W33 | H 2324 | 50 | 55 | PSBD 110 | 138 | 18 | SBD 3224 |
| 24 | 52 | 2 | 23026 CCK/W33 | H 3026 | 28 | 30 | PSBD 115 | 143 | 18 | SBD 3026 |
| 25 | 58 | 2 | 23126 CCK/W33 | H 3126 | 50 | 55 | PSBD 115 | 138 | 18 | SBD 3126 |
| 28 | 57 | 3 | 22226 CCK/W33 | H 3126 | 52 | 56 | PSBD 115 | 138 | 18 | SBD 2226 |
| 30 | 66 | 2 | 23226 CCK/W33 | H 2326 | 60 | 65 | PSBD 115 | 138 | 18 | SBD 3226 |
| 28 | 54 | 3 | 23028 CCK/W33 | H 3028 | 32 | 35 | PSBD 125 | 153 | 18 | SBD 3028 |
| 25 | 62 | 2 | 23128 CCK/W33 | H 3128 | 58 | 65 | PSBD 125 | 153 | 18 | SBD 3128 |
| 35 | 62 | 3 | 22228 CCK/W33 | H 3128 | 65 | 70 | PSBD 125 | 153 | 18 | SBD 2228 |
| 30 | 72 | 3 | 23228 CCK/W33 | H 2328 | 74 | 80 | PSBD 125 | 153 | 18 | SBD 3228 |
| 28 | 56 | 3 | 23030 CCK/W33 | H 3030 | 37 | 40 | PSBD 135 | 170 | 20 | SBD 3030 |
| 35 | 70 | 3 | 23130 CCK/W33 | H 3130 | 78 | 85 | PSBD 135 | 170 | 20 | SBD 3130 |
| 35 | 66 | 3 | 22230 CCK/W33 | H 3130 | 77 | 82 | PSBD 135 | 170 | 20 | SBD 2230 |
| 35 | 78 | 3 | 23230 CCK/W33 | H 2330 | 87 | 95 | PSBD 135 | 170 | 20 | SBD 3230 |
| 28 | 62 | 3 | 23032 CCK/W33 | H 3032 | 41 | 45 | PSBD 140 | 175 | 20 | SBD 3032 |
| 30 | 75 | 3 | 23132 CCK/W33 | H 3132 | 90 | 100 | PSBD 140 | 170 | 20 | SBD 3132 |
| 35 | 72 | 3 | 22232 CCK/W33 | H 3132 | 90 | 96 | PSBD 140 | 170 | 20 | SBD 2232 |
| 35 | 84 | 3 | 23232 CCK/W33 | H 2332 | 100 | 110 | PSBD 140 | 170 | 20 | SBD 3232 |
| 35 | 66 | 3 | 23034 CCK/W33 | H 3034 | 50 | 55 | PSBD 150 | 185 | 20 | SBD 3034 |
| 35 | 78 | 3 | 23134 CCK/W33 | H 3134 | 100 | 110 | PSBD 150 | 185 | 20 | SBD 3134 |
| 35 | 75 | 4 | 22234 CCK/W33 | H 3134 | 103 | 110 | PSBD 150 | 185 | 20 | SBD 2234 |
| 35 | 88 | 3 | 23234 CCK/W33 | H 2334 | 130 | 140 | PSBD 150 | 185 | 20 | SBD 3234 |



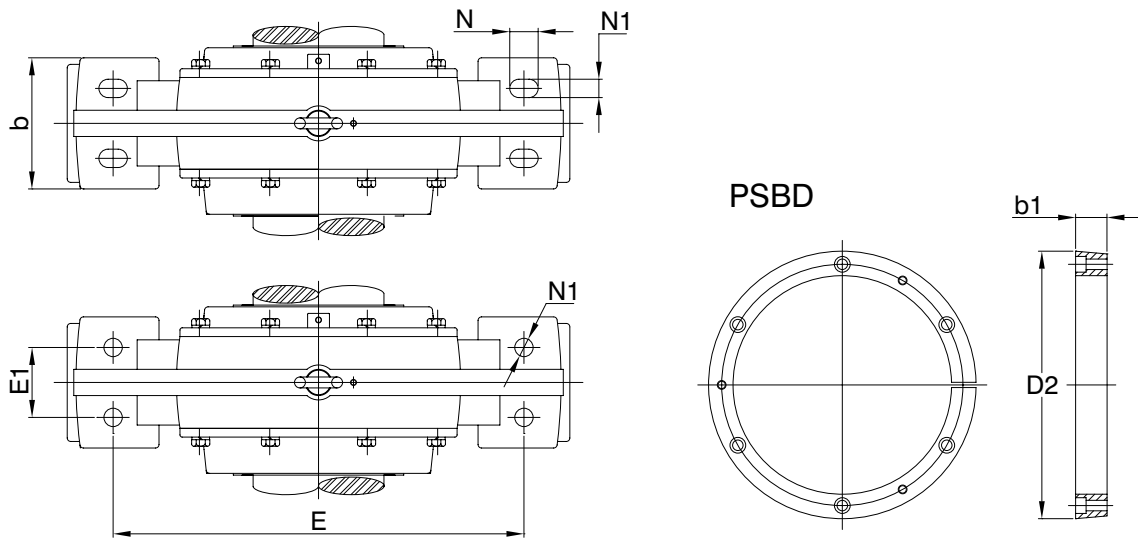
| Housing No. | Shaft Dia. d | Dimensions mm | | | | | | | | | | | | | | |
|-------------|-----------------|---------------|------|-----|-----|-----|-----|-------|-------|-----|-----|-----|-----|-----|-----|-------|
| | | D | B | b | G | F | A | L1 | L2 | L3 | H | E | E1 | T | S | N |
| | | | | | | | | | | | | | | | | P.C.D |
| SBD 3036 | 160 | 280 | 540 | 170 | 52 | 90 | 180 | 83 | 108 | 88 | 360 | 450 | 100 | 305 | M30 | - |
| SBD 3136 | | 300 | 600 | 200 | 60 | 125 | 200 | 118 | 138 | 116 | 410 | 490 | 105 | 350 | M30 | 45 |
| SBD 2236 | | 320 | 640 | 200 | 65 | 110 | 215 | 118 | 133 | 102 | 430 | 540 | 115 | 360 | M36 | - |
| SBD 3236 | | 320 | 680 | 210 | 65 | 140 | 210 | 133 | 148 | 108 | 430 | 550 | 120 | 360 | M30 | 45 |
| SBD 3038 | 170 | 290 | 570 | 180 | 55 | 96 | 185 | 93 | 118 | 88 | 370 | 480 | 105 | 315 | M30 | - |
| SBD 3138 | | 320 | 680 | 210 | 65 | 130 | 210 | 123 | 143 | 120 | 435 | 550 | 120 | 370 | M36 | 45 |
| SBD 2238 | | 340 | 640 | 200 | 65 | 110 | 215 | 118 | 133 | 102 | 430 | 540 | 115 | 370 | M36 | - |
| SBD 3238 | | 340 | 710 | 220 | 75 | 150 | 220 | 138 | 153 | 113 | 455 | 560 | 120 | 385 | M30 | 45 |
| SBD 3040 | 180 | 310 | 600 | 190 | 60 | 104 | 200 | 97 | 122 | 97 | 400 | 510 | 110 | 340 | M30 | - |
| SBD 3140 | | 340 | 710 | 220 | 85 | 135 | 220 | 127 | 147 | 127 | 455 | 560 | 120 | 380 | M36 | 52 |
| SBD 2240 | | 360 | 680 | 210 | 70 | 118 | 225 | 122 | 134.5 | 107 | 450 | 560 | 120 | 390 | M36 | - |
| SBD 3240 | | 360 | 780 | 240 | 75 | 165 | 235 | 138 | 158 | 118 | 475 | 640 | 140 | 405 | M36 | 52 |
| SBD 3044 | 200 | 340 | 640 | 200 | 65 | 110 | 215 | 102 | 137 | 102 | 430 | 540 | 115 | 370 | M36 | - |
| SBD 3144 | | 370 | 780 | 230 | 75 | 150 | 235 | 135 | 160 | 135 | 485 | 640 | 140 | 420 | M36 | 52 |
| SBD 2244 | | 400 | 720 | 220 | 75 | 128 | 250 | 124.5 | 159.5 | 117 | 500 | 600 | 130 | 435 | M36 | - |
| SBD 3244 | | 400 | 850 | 250 | 80 | 175 | 260 | 148 | 183 | 133 | 525 | 700 | 140 | 445 | M36 | 52 |
| SBD 3048 | 220 | 360 | 680 | 210 | 70 | 118 | 225 | 102 | 142 | 107 | 450 | 560 | 120 | 390 | M36 | - |
| SBD 3148 | | 400 | 890 | 250 | 80 | 160 | 270 | 152 | 182 | 142 | 550 | 720 | 140 | 455 | M36 | 52 |
| SBD 2248 | | 440 | 820 | 250 | 85 | 144 | 285 | 130 | 165 | 132 | 570 | 690 | 150 | 490 | M36 | - |
| SBD 3248 | | 440 | 900 | 250 | 90 | 190 | 290 | 148 | 188 | 148 | 590 | 750 | 140 | 490 | M36 | 52 |
| SBD 3052 | 240 | 400 | 720 | 220 | 75 | 128 | 250 | 107 | 147 | 117 | 500 | 600 | 130 | 435 | M36 | - |
| SBD 3152 | | 440 | 900 | 250 | 90 | 175 | 290 | 152 | 187 | 152 | 590 | 750 | 140 | 490 | M36 | 52 |
| SBD 2252 | | 480 | 860 | 260 | 90 | 154 | 295 | 145 | 182.5 | 137 | 590 | 730 | 160 | 520 | M36 | - |
| SBD 3252 | | 480 | 960 | 290 | 95 | 205 | 310 | 167 | 208 | 158 | 625 | 800 | 160 | 535 | M36 | 65 |
| SBD 3056 | 260 | 420 | 760 | 240 | 80 | 128 | 260 | 117 | 157 | 122 | 520 | 630 | 140 | 455 | M36 | - |
| SBD 3156 | | 460 | 900 | 250 | 90 | 175 | 290 | 157 | 197 | 165 | 590 | 750 | 140 | 510 | M36 | 65 |
| SBD 2256 | | 500 | 900 | 270 | 95 | 158 | 315 | 152 | 192 | 147 | 630 | 770 | 170 | 555 | M36 | - |
| SBD 3256 | | 500 | 1000 | 300 | 100 | 210 | 320 | 178 | 218 | 163 | 645 | 840 | 170 | 555 | M36 | 65 |



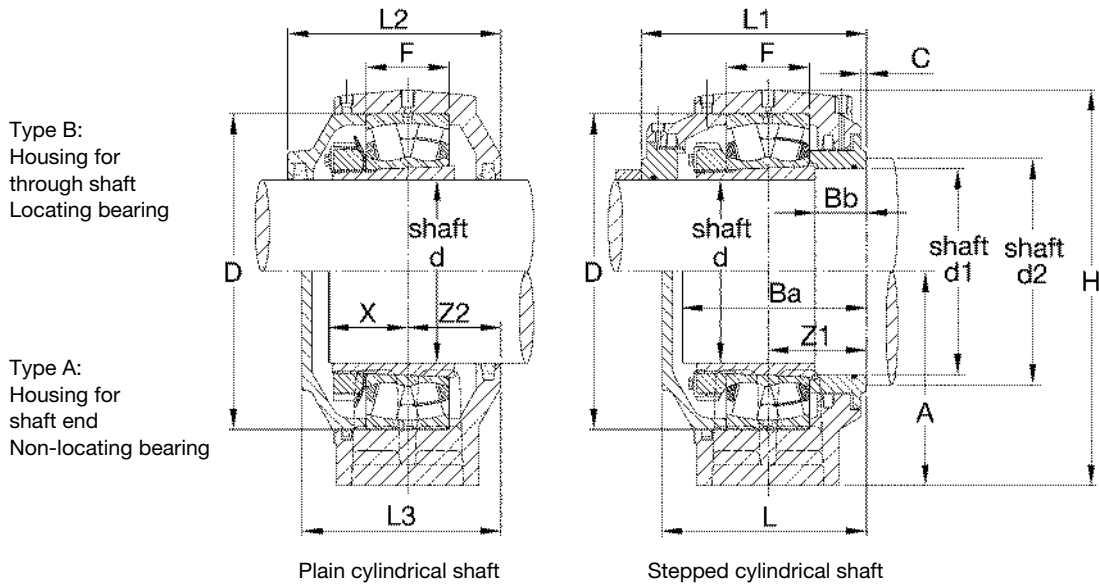
| | | | Bearing No. | Adapter Sleeve | Weight | | Adapter Ring Designation | Dimensions | | Housing No. |
|----|-----|----|----------------|----------------|--------|------|--------------------------|------------|----|-------------|
| N1 | X | C1 | | | A | B | | D2 | b1 | |
| | | | | | (kg) | (kg) | | | | |
| 35 | 70 | 3 | 23036 CCK/W33 | H 3036 | 64 | 70 | PSBD 160 | 195 | 20 | SBD 3036 |
| 35 | 82 | 3 | 23136 CCK/W33 | H 3136 | 118 | 130 | PSBD 160 | 195 | 20 | SBD 3136 |
| 42 | 78 | 4 | 22236 CCK/W33 | H 3136 | 112 | 120 | PSBD 160 | 195 | 20 | SBD 2236 |
| 35 | 90 | 3 | 23236 CCK/W33 | H 2336 | 147 | 160 | PSBD 160 | 195 | 20 | SBD 3236 |
| 35 | 72 | 3 | 23038 CCK/W33 | H 3038 | 74 | 80 | PSBD 170 | 205 | 20 | SBD 3038 |
| 42 | 88 | 3 | 23138 CCK/W33 | H 3138 | 146 | 160 | PSBD 170 | 205 | 20 | SBD 3138 |
| 42 | 82 | 4 | 22238 CCK/W33 | H 3138 | 126 | 135 | PSBD 170 | 205 | 20 | SBD 2238 |
| 35 | 95 | 4 | 23238 CCK/W33 | H 2338 | 170 | 185 | PSBD 170 | 205 | 20 | SBD 3238 |
| 35 | 78 | 4 | 23040 CCK/W33 | H 3040 | 83 | 90 | PSBD 180 | 215 | 20 | SBD 3040 |
| 42 | 95 | 3 | 23140 CCK/W33 | H 3140 | 175 | 190 | PSBD 180 | 215 | 20 | SBD 3140 |
| 42 | 85 | 4 | 22240 CCK/W33 | H 3140 | 145 | 155 | PSBD 180 | 215 | 20 | SBD 2240 |
| 42 | 100 | 4 | 23240 CCK/W33 | H 2340 | 200 | 220 | PSBD 180 | 215 | 20 | SBD 3240 |
| 42 | 80 | 4 | 23044 CCK/W33 | OH 3044 H | 107 | 115 | PSBD 200 | 246 | 25 | SBD 3044 |
| 42 | 100 | 4 | 23144 CCK/W33 | OH 3144 H | 205 | 220 | PSBD 200 | 246 | 25 | SBD 3144 |
| 42 | 95 | 4 | 22244 CCK/W33 | OH 3144 H | 187 | 200 | PSBD 200 | 246 | 25 | SBD 2244 |
| 42 | 112 | 4 | 23244 CCK/W33 | OH 2344 H | 270 | 290 | PSBD 200 | 246 | 25 | SBD 3244 |
| 42 | 85 | 4 | 23048 CCK/W33 | OH 3048 H | 120 | 130 | PSBD 220 | 266 | 25 | SBD 3048 |
| 42 | 106 | 4 | 23148 CCK/W33 | OH 3148 H | 250 | 270 | PSBD 220 | 266 | 25 | SBD 3148 |
| 42 | 105 | 5 | 22248 CCK/W33 | OH 3148 H | 235 | 250 | PSBD 220 | 266 | 25 | SBD 2248 |
| 42 | 122 | 5 | 23248 CCK/W33 | OH 2348 H | 345 | 370 | PSBD 220 | 266 | 25 | SBD 3248 |
| 42 | 92 | 4 | 23052 CCK/W33 | OH 3052 H | 153 | 165 | PSBD 240 | 286 | 25 | SBD 3052 |
| 42 | 118 | 4 | 23152 CCK/W33 | OH 3152 H | 300 | 320 | PSBD 240 | 286 | 25 | SBD 3152 |
| 42 | 110 | 5 | 22252 CCK/W33 | OH 3152 H | 290 | 310 | PSBD 240 | 286 | 25 | SBD 2252 |
| 42 | 132 | 5 | 23252 CACK/W33 | OH 2352 H | 435 | 470 | PSBD 240 | 286 | 25 | SBD 3252 |
| 42 | 96 | 5 | 23056 CCK/W33 | OH 3056 H | 177 | 190 | PSBD 260 | 306 | 25 | SBD 3056 |
| 42 | 120 | 5 | 23156 CCK/W33 | OH 3156 H | 325 | 350 | PSBD 260 | 306 | 25 | SBD 3156 |
| 42 | 115 | 5 | 22256 CACK/W33 | OH 3156 H | 330 | 350 | PSBD 260 | 306 | 25 | SBD 2256 |
| 42 | 135 | 5 | 23256 CACK/W33 | OH 2356 H | 490 | 530 | PSBD 260 | 306 | 25 | SBD 3256 |



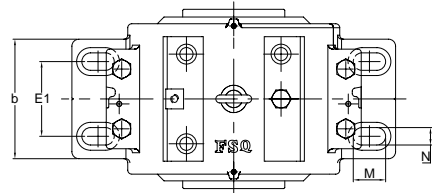
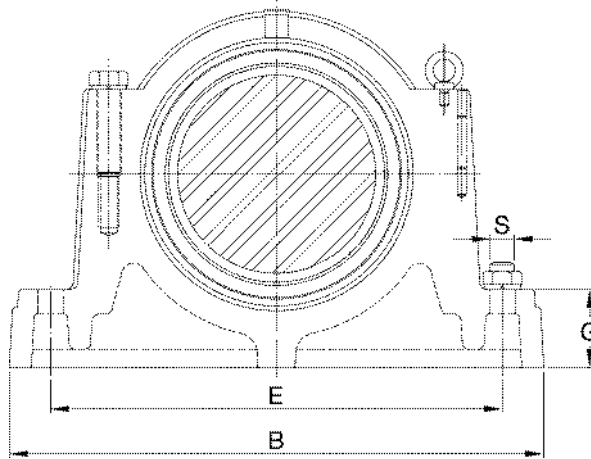
| Housing No. | Shaft Dia. d | Dimensions mm | | | | | | | | | | | | | | |
|-------------|-----------------|---------------|------|-----|-----|-----|-----|-----|-----|-----|-----|------|-----|-----|-----|-------|
| | | D | B | b | G | F | A | L1 | L2 | L3 | H | E | E1 | T | S | N |
| | | | | | | | | | | | | | | | | P.C.D |
| SBD 3060 | 280 | 460 | 820 | 250 | 85 | 144 | 285 | 122 | 167 | 132 | 570 | 690 | 150 | 500 | M36 | - |
| SBD 3160 | | 500 | 1000 | 300 | 100 | 190 | 320 | 162 | 207 | 167 | 655 | 840 | 170 | 550 | M36 | 65 |
| SBD 2260 | | 540 | 960 | 280 | 100 | 168 | 330 | 160 | 191 | 152 | 660 | 820 | 180 | 585 | M36 | - |
| SBD 3260 | | 540 | 1100 | 330 | 105 | 230 | 350 | 182 | 222 | 187 | 705 | 920 | 180 | 600 | M48 | 75 |
| SBD 3064 | 300 | 480 | 860 | 260 | 90 | 154 | 295 | 122 | 172 | 137 | 590 | 730 | 160 | 520 | M36 | - |
| SBD 3164 | | 540 | 1150 | 300 | 100 | 210 | 350 | 177 | 212 | 187 | 702 | 940 | 160 | 590 | M36 | 65 |
| SBD 2264 | | 580 | 1060 | 320 | 110 | 180 | 360 | 175 | 202 | 167 | 720 | 900 | 200 | 640 | M48 | - |
| SBD 3264 | | 580 | 1150 | 360 | 115 | 250 | 370 | 192 | 237 | 187 | 760 | 960 | 200 | 640 | M48 | 75 |
| SBD 3068 | 320 | 520 | 900 | 270 | 95 | 158 | 315 | 132 | 177 | 147 | 630 | 770 | 170 | 565 | M36 | - |
| SBD 3168 | | 580 | 1150 | 360 | 115 | 220 | 370 | 197 | 242 | 237 | 735 | 960 | 200 | 630 | M48 | 75 |
| SBD 3268 | | 620 | 1200 | 380 | 125 | 265 | 390 | 202 | 272 | 237 | 810 | 980 | 200 | 680 | M56 | 75 |
| SBD 3072 | 340 | 540 | 960 | 280 | 100 | 168 | 330 | 132 | 182 | 152 | 660 | 820 | 180 | 585 | M36 | - |
| SBD 3172 | | 600 | 1200 | 370 | 115 | 225 | 380 | 197 | 247 | 243 | 760 | 1000 | 200 | 650 | M48 | 75 |
| SBD 3272 | | 650 | 1280 | 400 | 130 | 275 | 410 | 227 | 282 | 247 | 825 | 1040 | 210 | 710 | M64 | 80 |
| SBD 3076 | 360 | 560 | 1000 | 300 | 105 | 168 | 340 | 137 | 187 | 157 | 680 | 840 | 190 | 605 | M48 | - |
| SBD 3176 | | 620 | 1200 | 380 | 125 | 230 | 390 | 202 | 257 | 254 | 790 | 1000 | 200 | 680 | M56 | 75 |
| SBD 3276 | | 680 | 1350 | 405 | 135 | 295 | 425 | 232 | 297 | 257 | 880 | 1100 | 225 | 745 | M64 | 85 |
| SBD 3080 | 380 | 600 | 1060 | 320 | 110 | 180 | 360 | 142 | 202 | 167 | 720 | 900 | 200 | 650 | M48 | - |
| SBD 3180 | | 650 | 1280 | 400 | 130 | 235 | 410 | 197 | 262 | 247 | 845 | 1040 | 210 | 710 | M64 | 80 |
| SBD 3280 | | 720 | 1430 | 450 | 145 | 300 | 450 | 242 | 307 | 257 | 905 | 1160 | 240 | 790 | M64 | 85 |
| SBD 3084 | 400 | 620 | 1100 | 340 | 115 | 180 | 375 | 147 | 202 | 167 | 750 | 940 | 210 | 670 | M48 | - |
| SBD 3184 | | 700 | 1350 | 420 | 135 | 260 | 450 | 212 | 289 | 257 | 900 | 1100 | 210 | 760 | M64 | 85 |
| SBD 3284 | | 760 | 1500 | 470 | 150 | 315 | 470 | 252 | 317 | 267 | 955 | 1220 | 255 | 835 | M64 | 90 |



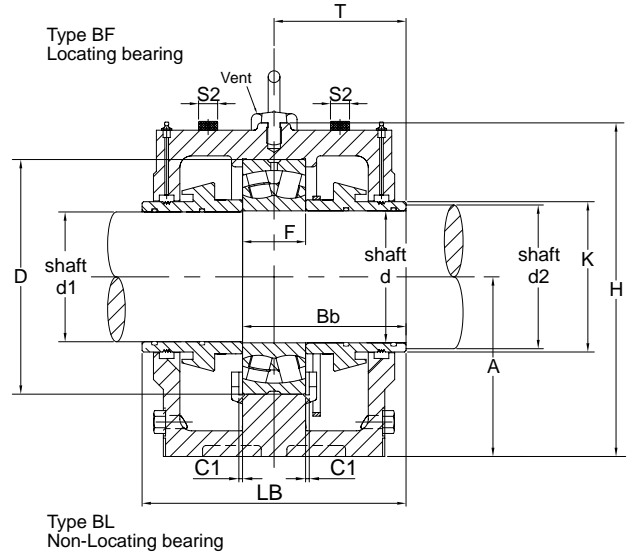
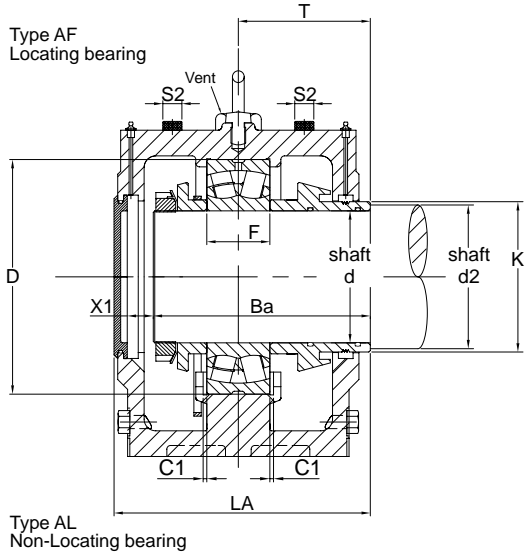
| | | | Bearing No. | Adapter Sleeve | Weight | | Adapter Ring Designation | Dimensions | | Housing No. |
|----|-----|----|----------------|----------------|--------|------|--------------------------|------------|----|-----------------|
| N1 | X | C1 | | | A | B | | D2 | b1 | |
| | | | | | (kg) | (kg) | | | | |
| 42 | 105 | 5 | 23060 CCK/W33 | OH 3060 H | 215 | 230 | PSBD 280 | 326 | 25 | SBD 3060 |
| 42 | 125 | 5 | 23160 CACK/W33 | OH 3160 H | 400 | 430 | PSBD 280 | 326 | 25 | SBD 3160 |
| 42 | 120 | 5 | 22260 CACK/W33 | OH 3160 H | 400 | 430 | PSBD 280 | 326 | 25 | SBD 2260 |
| 56 | 142 | 6 | 23260 CACK/W33 | OH 3260 H | 590 | 640 | PSBD 280 | 326 | 25 | SBD 3260 |
| 42 | 108 | 5 | 23064 CACK/W33 | OH 3064 H | 240 | 255 | PSBD 300 | 350 | 30 | SBD 3064 |
| 42 | 135 | 5 | 23164 CACK/W33 | OH 3164 H | 490 | 530 | PSBD 300 | 350 | 30 | SBD 3164 |
| 56 | 125 | 5 | 22264 CACK/W33 | OH 3164 H | 485 | 520 | PSBD 300 | 350 | 30 | SBD 2264 |
| 56 | 152 | 6 | 23264 CACK/W33 | OH 3264 H | 700 | 760 | PSBD 300 | 350 | 30 | SBD 3264 |
| 42 | 120 | 6 | 23068 CACK/W33 | OH 3068 H | 280 | 305 | PSBD 320 | 370 | 30 | SBD 3068 |
| 56 | 155 | 6 | 23168 CACK/W33 | OH 3168 H | 590 | 630 | PSBD 320 | 370 | 30 | SBD 3168 |
| 60 | 175 | 6 | 23268 CACK/W33 | OH 3268 H | 830 | 900 | PSBD 320 | 370 | 30 | SBD 3268 |
| 42 | 120 | 6 | 23072 CACK/W33 | OH 3072 H | 315 | 340 | PSBD 340 | 390 | 30 | SBD 3072 |
| 56 | 160 | 6 | 23172 CACK/W33 | OH 3172 H | 660 | 700 | PSBD 340 | 390 | 30 | SBD 3172 |
| 68 | 180 | 7 | 23272 CACK/W33 | OH 3272 H | 950 | 1020 | PSBD 340 | 390 | 30 | SBD 3272 |
| 56 | 124 | 6 | 23076 CACK/W33 | OH 3076 H | 350 | 380 | PSBD 360 | 410 | 30 | SBD 3076 |
| 60 | 165 | 6 | 23176 CACK/W33 | OH 3176 H | 730 | 770 | PSBD 360 | 410 | 30 | SBD 3176 |
| 68 | 186 | 7 | 23276 CACK/W33 | OH 3276 H | 1060 | 1140 | PSBD 360 | 410 | 30 | SBD 3276 |
| 56 | 134 | 6 | 23080 CAK/W33 | OH 3080 H | 420 | 450 | PSBD 380 | 430 | 30 | SBD 3080 |
| 68 | 170 | 7 | 23180 CAK/W33 | OH 3180 H | 820 | 870 | PSBD 380 | 430 | 30 | SBD 3180 |
| 68 | 196 | 7 | 23280 CAK/W33 | OH 3280 H | 1240 | 1330 | PSBD 380 | 430 | 30 | SBD 3280 |
| 56 | 135 | 6 | 23084 CAK/W33 | OH 3084 H | 465 | 500 | PSBD 400 | 450 | 30 | SBD 3084 |
| 68 | 190 | 7 | 23184 CAK/W33 | OH 3184 H | 1000 | 1070 | PSBD 400 | 450 | 30 | SBD 3184 |
| 72 | 212 | 8 | 23284 CAK/W33 | OH 3284 H | 1500 | 1600 | PSBD 400 | 450 | 30 | SBD 3284 |



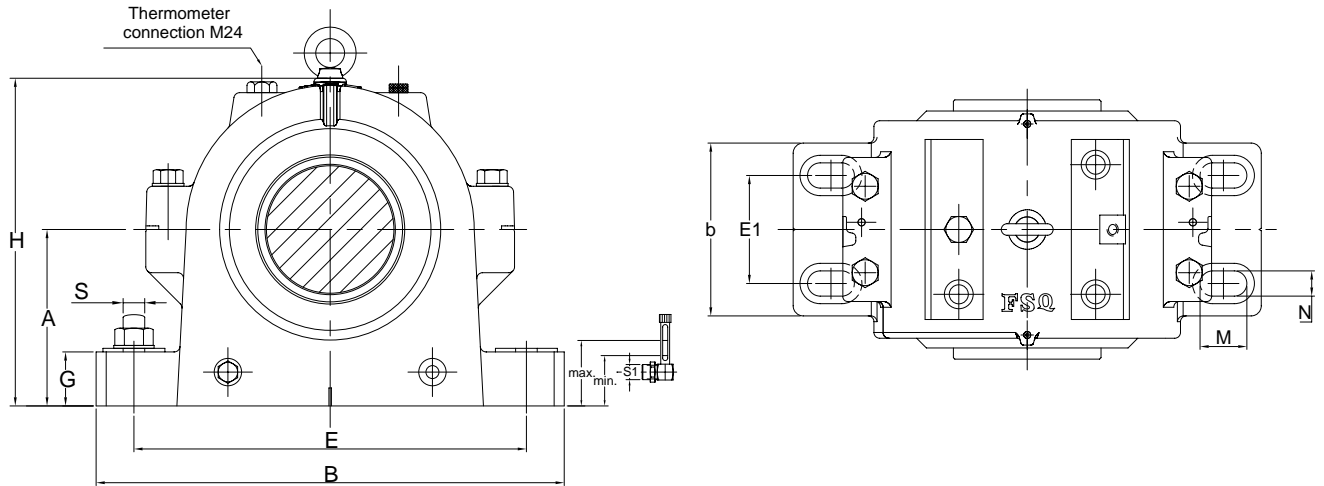
| Housing No. | Shaft Dia. | | | Dimensions mm | | | | | | | | | | | | | |
|-------------|------------|-----|--------|---------------|-----|-----|-----|-----|-----|-----|-----|-----|-----|-----|-----|-----|-----|
| | d | d1 | d2 min | D | B | b | G | F | A | L | L1 | L2 | L3 | H | E | E1 | Z1 |
| SDGC 2328 | 125 | 142 | 150 | 300 | 590 | 165 | 85 | 102 | 210 | 222 | 258 | 237 | 219 | 385 | 500 | 90 | 110 |
| SDGC 2330 | 135 | 152 | 160 | 320 | 600 | 180 | 90 | 108 | 225 | 237 | 272 | 251 | 234 | 410 | 510 | 100 | 117 |
| SDGC 2332 | 140 | 162 | 175 | 340 | 690 | 195 | 95 | 114 | 240 | 253 | 288 | 266 | 250 | 440 | 580 | 105 | 125 |
| SDGC 2234 | 150 | 172 | 185 | 310 | 580 | 140 | 85 | 86 | 210 | 197 | 232 | 212 | 194 | 387 | 490 | 70 | 97 |
| SDGC 3234 | | 172 | 180 | 310 | 590 | 165 | 85 | 110 | 210 | 222 | 258 | 237 | 219 | 385 | 500 | 90 | 110 |
| SDGC 2334 | | 172 | 185 | 360 | 720 | 210 | 105 | 120 | 260 | 270 | 315 | 285 | 265 | 475 | 610 | 120 | 135 |
| SDGC 3136 | 160 | 182 | 190 | 300 | 590 | 165 | 85 | 96 | 210 | 222 | 258 | 237 | 219 | 385 | 500 | 90 | 110 |
| SDGC 2236 | | 182 | 195 | 320 | 600 | 150 | 90 | 86 | 230 | 207 | 242 | 221 | 204 | 424 | 520 | 80 | 102 |
| SDGC 3236 | | 182 | 190 | 320 | 600 | 180 | 90 | 112 | 225 | 237 | 272 | 251 | 234 | 410 | 510 | 100 | 117 |
| SDGC 2336 | | 182 | 195 | 380 | 720 | 210 | 105 | 126 | 260 | 270 | 315 | 285 | 265 | 475 | 610 | 120 | 135 |
| SDGC 3138 | 170 | 192 | 200 | 320 | 600 | 180 | 90 | 104 | 225 | 237 | 272 | 251 | 234 | 410 | 510 | 100 | 117 |
| SDGC 2238 | | 192 | 205 | 340 | 600 | 150 | 90 | 92 | 230 | 207 | 242 | 221 | 204 | 424 | 520 | 80 | 102 |
| SDGC 3238 | | 192 | 205 | 340 | 690 | 195 | 95 | 120 | 240 | 253 | 288 | 266 | 250 | 440 | 580 | 105 | 125 |
| SDGC 2338 | 180 | 192 | 205 | 400 | 770 | 225 | 115 | 132 | 280 | 298 | 336 | 311 | 293 | 515 | 655 | 130 | 146 |
| SDGC 3040 | | 202 | 215 | 310 | 580 | 140 | 85 | 82 | 210 | 197 | 232 | 212 | 194 | 387 | 490 | 70 | 97 |
| SDGC 3140 | | 202 | 215 | 340 | 690 | 195 | 95 | 112 | 240 | 253 | 288 | 266 | 250 | 440 | 580 | 105 | 126 |
| SDGC 2240 | | 202 | 215 | 360 | 670 | 160 | 95 | 98 | 240 | 220 | 265 | 235 | 215 | 445 | 560 | 80 | 110 |
| SDGC 3240 | | 202 | 215 | 360 | 720 | 210 | 105 | 128 | 260 | 270 | 315 | 285 | 265 | 475 | 610 | 120 | 135 |
| SDGC 2340 | | 202 | 215 | 420 | 860 | 250 | 125 | 138 | 310 | 328 | 366 | 343 | 323 | 565 | 730 | 140 | 158 |
| SDGC 3044 | 200 | 222 | 235 | 340 | 600 | 150 | 90 | 90 | 230 | 207 | 242 | 221 | 204 | 424 | 520 | 80 | 102 |
| SDGC 3144 | | 222 | 235 | 370 | 720 | 210 | 105 | 120 | 260 | 270 | 315 | 285 | 265 | 475 | 610 | 120 | 135 |
| SDGC 2244 | | 222 | 235 | 400 | 710 | 160 | 110 | 108 | 270 | 233 | 270 | 246 | 228 | 500 | 620 | 80 | 113 |
| SDGC 3244 | | 222 | 235 | 400 | 770 | 225 | 115 | 144 | 280 | 298 | 336 | 311 | 293 | 515 | 655 | 130 | 146 |
| SDGC 2344 | 220 | 222 | 235 | 460 | 880 | 250 | 130 | 145 | 320 | 330 | 370 | 343 | 323 | 585 | 750 | 145 | 160 |
| SDGC 3048 | | 242 | 255 | 360 | 670 | 160 | 95 | 92 | 240 | 220 | 265 | 235 | 215 | 445 | 560 | 80 | 110 |
| SDGC 3148 | | 242 | 255 | 400 | 770 | 225 | 115 | 128 | 280 | 298 | 336 | 311 | 293 | 515 | 655 | 130 | 146 |
| SDGC 2248 | | 242 | 255 | 440 | 825 | 190 | 120 | 120 | 310 | 270 | 310 | 283 | 263 | 570 | 710 | 100 | 130 |
| SDGC 3248 | | 242 | 255 | 440 | 860 | 250 | 125 | 160 | 310 | 328 | 366 | 343 | 323 | 565 | 730 | 140 | 158 |
| SDGC 2348 | | 242 | 255 | 500 | 940 | 280 | 140 | 155 | 350 | 360 | 405 | 376 | 353 | 640 | 800 | 165 | 175 |



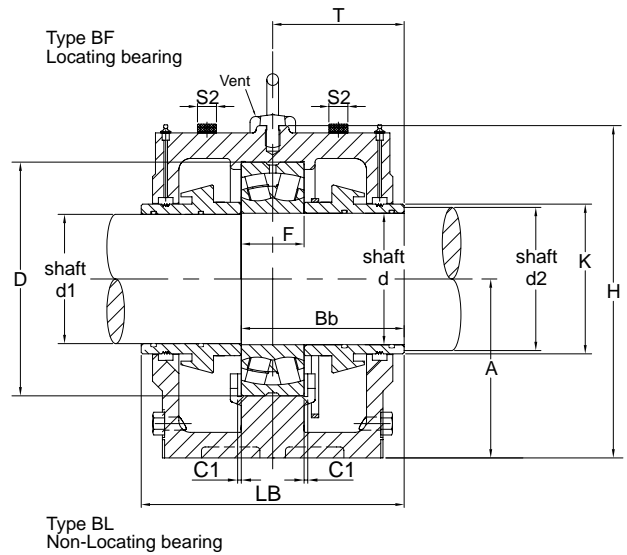
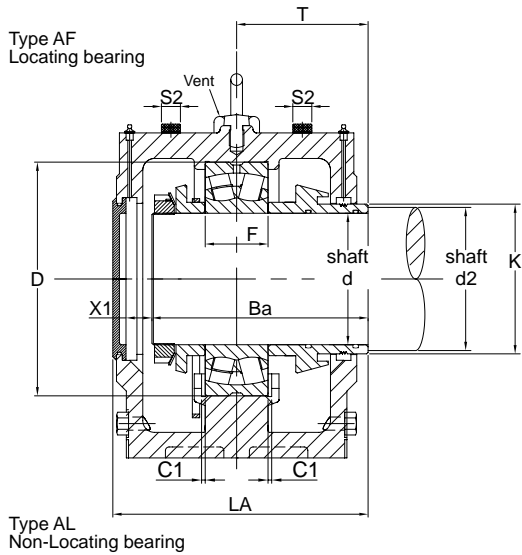
| Z2 | C | N | S | | Ba | Bb | X | Housing Design (kg) | | Appropriate Bearing | Adapter Sleeve Designation | Grease Quantity Initial Fill | Housing No. |
|-----|----|----|----|-------|-----|----|-----|---------------------|-----|---------------------|----------------------------|------------------------------|-------------|
| | | | mm | in | | | | A | B | | | | |
| 107 | 6 | 35 | 30 | 1-1/4 | 188 | 78 | 78 | 92 | 100 | 22328 CCK/W33 | H 2328 | 1.8 | SDGC 2328 |
| 114 | 6 | 35 | 30 | 1-1/4 | 200 | 44 | 83 | 110 | 120 | 22330 CCK/W33 | H 2330 | 2.3 | SDGC 2330 |
| 122 | 6 | 42 | 36 | 1-1/2 | 213 | 48 | 88 | 140 | 150 | 22332 CCK/W33 | H 2332 | 2.9 | SDGC 2332 |
| 94 | 6 | 28 | 24 | 1 | 172 | 38 | 75 | 72 | 80 | 22234 CCK/W33 | H 3134 | 1.4 | SDGC 2234 |
| 107 | 6 | 35 | 30 | 1-1/4 | 198 | 38 | 88 | 85 | 90 | 23234 CCK/W33 | H 2334 | 1.5 | SDGC 3234 |
| 130 | 8 | 42 | 36 | 1-1/2 | 228 | 52 | 93 | 180 | 195 | 22334 CCK/W33 | H 2334 | 3.2 | SDGC 2334 |
| 107 | 6 | 35 | 30 | 1-1/4 | 192 | 44 | 82 | 90 | 94 | 23136 CCK/W33 | H 3136 | 1.3 | SDGC 3136 |
| 99 | 6 | 28 | 24 | 1 | 179 | 40 | 77 | 98 | 110 | 22236 CCK/W33 | H 3136 | 1.7 | SDGC 2236 |
| 114 | 6 | 35 | 30 | 1-1/4 | 207 | 42 | 90 | 110 | 115 | 23236 CCK/W33 | H 2336 | 1.9 | SDGC 3236 |
| 130 | 8 | 42 | 36 | 1-1/2 | 232 | 50 | 97 | 165 | 180 | 22336 CCK/W33 | H 2336 | 3.5 | SDGC 2336 |
| 114 | 6 | 35 | 30 | 1-1/4 | 204 | 46 | 87 | 110 | 115 | 23138 CCK/W33 | H 3138 | 1.7 | SDGC 3138 |
| 99 | 6 | 28 | 24 | 1 | 183 | 40 | 81 | 86 | 100 | 22238 CCK/W33 | H 3138 | 1.8 | SDGC 2238 |
| 122 | 6 | 42 | 36 | 1-1/2 | 220 | 45 | 95 | 140 | 145 | 23238 CCK/W33 | H 2338 | 2.4 | SDGC 3238 |
| 141 | 8 | 42 | 36 | 1-1/2 | 247 | 56 | 101 | 225 | 240 | 22338 CCK/W33 | H 2338 | 4.5 | SDGC 2338 |
| 94 | 6 | 28 | 24 | 1 | 174 | 40 | 77 | 70 | 75 | 23040 CCK/W33 | H 3040 | 1.1 | SDGC 3040 |
| 122 | 6 | 42 | 36 | 1-1/2 | 217 | 48 | 92 | 140 | 145 | 23140 CCK/W33 | H 3140 | 2.2 | SDGC 3140 |
| 105 | 8 | 35 | 30 | 1-1/4 | 194 | 42 | 84 | 110 | 125 | 22240 CCK/W33 | H 3140 | 2.0 | SDGC 2240 |
| 130 | 8 | 42 | 36 | 1-1/2 | 235 | 50 | 100 | 180 | 190 | 23240 CCK/W33 | H 2340 | 2.7 | SDGC 3240 |
| 153 | 8 | 48 | 42 | 1-3/4 | 263 | 62 | 105 | 270 | 280 | 22340 CCK/W33 | H 2340 | 5.6 | SDGC 2340 |
| 99 | 6 | 28 | 24 | 1 | 182 | 40 | 80 | 82 | 92 | 23044 CCK/W33 | OH 3044 H | 1.4 | SDGC 3044 |
| 130 | 8 | 42 | 36 | 1-1/2 | 235 | 52 | 100 | 170 | 180 | 23144 CCK/W33 | OH 3144 H | 2.6 | SDGC 3144 |
| 108 | 8 | 35 | 30 | 1-1/4 | 207 | 42 | 94 | 135 | 155 | 22244 CCK/W33 | OH 3144 H | 2.4 | SDGC 2244 |
| 141 | 8 | 42 | 36 | 1-1/2 | 258 | 52 | 112 | 220 | 230 | 23244 CCK/W33 | OH 2344 H | 4.0 | SDGC 3244 |
| 153 | 10 | 48 | 42 | 1-3/4 | 272 | 62 | 112 | 315 | 330 | 22344 CCK/W33 | OH 2344 H | 6.0 | SDGC 2344 |
| 105 | 8 | 35 | 30 | 1-1/4 | 195 | 45 | 85 | 100 | 115 | 23048 CCK/W33 | OH 3048 H | 1.4 | SDGC 3048 |
| 141 | 8 | 42 | 36 | 1-1/2 | 252 | 58 | 106 | 215 | 228 | 23148 CCK/W33 | OH 3148 H | 3.4 | SDGC 3148 |
| 123 | 10 | 42 | 36 | 1-1/2 | 232 | 50 | 102 | 230 | 260 | 22248 CCK/W33 | OH 3148 H | 3.4 | SDGC 2248 |
| 153 | 8 | 48 | 42 | 1-3/4 | 280 | 54 | 122 | 295 | 310 | 23248 CCK/W33 | OH 2348 H | 5.0 | SDGC 3248 |
| 168 | 10 | 48 | 42 | 1-3/4 | 295 | 68 | 120 | 400 | 425 | 22348 CCK/W33 | OH 2348 H | 7.3 | SDGC 2348 |



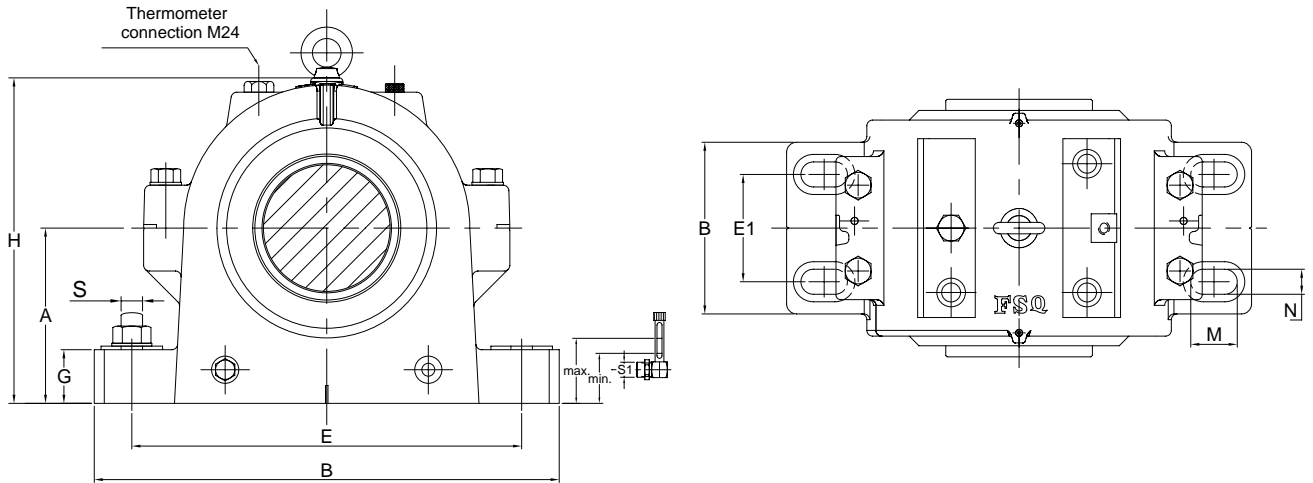
| Housing No. | Shaft Dia. | | | Dimensions mm | | | | | | | | | | | | | |
|-------------|------------|-----|--------|---------------|-----|-----|-----|-----|-----|-----|-----|-----|-------|-----|----|-----|----|
| | d | d1 | d2 min | D | B | b | G | F | A | H | E | E1 | LA | LB | C1 | K | M |
| SOFN 217 | 85 | 83 | 91 | 150 | 330 | 110 | 35 | 36 | 125 | 230 | 260 | 60 | 180 | 180 | 5 | 96 | 40 |
| SOFN 218 | 90 | 88 | 96 | 160 | 360 | 120 | 45 | 40 | 135 | 245 | 290 | 70 | 187.5 | 190 | 5 | 100 | 40 |
| SOFN 220 | 100 | 98 | 106 | 180 | 400 | 130 | 50 | 46 | 145 | 270 | 320 | 75 | 203 | 206 | 5 | 110 | 45 |
| SOFN 222 | 110 | 108 | 116 | 200 | 420 | 145 | 50 | 53 | 160 | 290 | 347 | 75 | 219.5 | 229 | 5 | 120 | 45 |
| SOFN 224 | 120 | 118 | 126 | 215 | 420 | 170 | 55 | 58 | 170 | 315 | 347 | 90 | 263 | 276 | 8 | 135 | 45 |
| SOFN 226 | 130 | 128 | 138 | 230 | 450 | 180 | 60 | 64 | 180 | 335 | 377 | 100 | 260 | 270 | 8 | 145 | 45 |
| SOFN 228 | 140 | 138 | 148 | 250 | 500 | 190 | 65 | 68 | 190 | 355 | 415 | 100 | 269.5 | 280 | 8 | 160 | 45 |
| SOFN 230 | 150 | 148 | 158 | 270 | 540 | 190 | 65 | 73 | 200 | 380 | 450 | 115 | 269.5 | 280 | 8 | 170 | 50 |
| SOFN 232 | 160 | 158 | 168 | 290 | 560 | 205 | 65 | 80 | 215 | 405 | 470 | 120 | 305.5 | 316 | 10 | 178 | 50 |
| SOFN 234 | 170 | 168 | 180 | 310 | 610 | 230 | 70 | 86 | 235 | 440 | 515 | 130 | 340 | 350 | 10 | 195 | 55 |
| SOFN 236 | 180 | 177 | 196 | 320 | 650 | 240 | 75 | 86 | 245 | 455 | 545 | 150 | 350 | 360 | 10 | 205 | 65 |
| SOFN 238 | 190 | 188 | 208 | 340 | 720 | 250 | 85 | 92 | 260 | 480 | 590 | 150 | 360 | 30 | 12 | 220 | 70 |
| SOFN 240 | 200 | 198 | 218 | 360 | 730 | 260 | 85 | 98 | 275 | 510 | 600 | 160 | 366.5 | 378 | 12 | 227 | 70 |
| SOFN 244 | 220 | 218 | 238 | 400 | 820 | 280 | 95 | 108 | 305 | 565 | 670 | 180 | 389.5 | 404 | 12 | 255 | 80 |
| SOFN 248 | 240 | 238 | 258 | 440 | 900 | 290 | 100 | 120 | 340 | 625 | 740 | 190 | 412.5 | 420 | 12 | 270 | 80 |



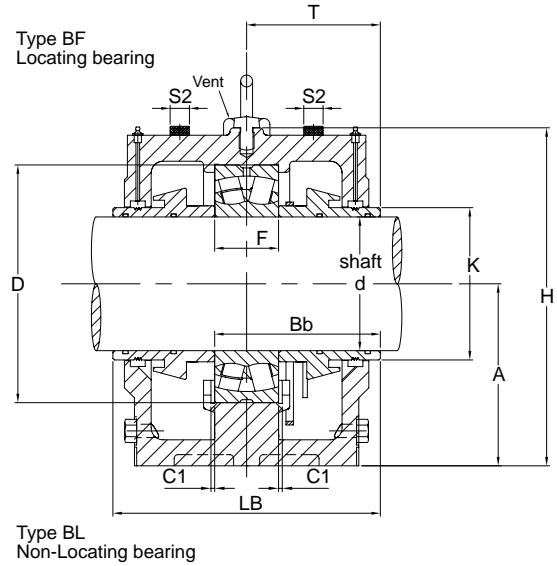
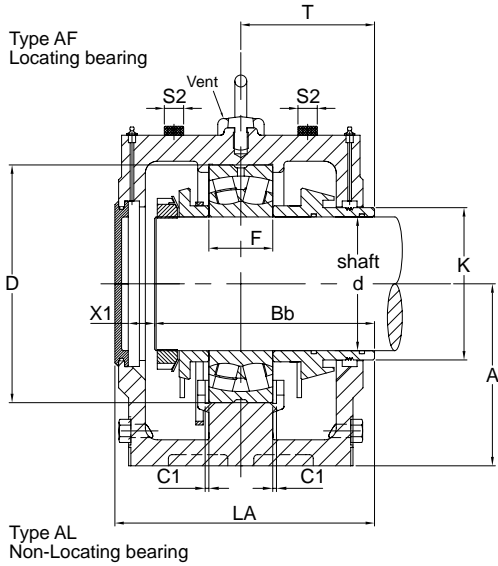
| N | T | S | | S1 | S2 | Other Dimensions | | | Bearing No. | Appropriate | | Level | | Housing No. |
|----|-------|----|-------|------|------|------------------|-----|-----|----------------|-------------|-------------|-------|-----|-------------|
| | | mm | in | | | X1 | Ba | Bb | | Lock Nut | Lock Washer | max | min | |
| 24 | 90 | 20 | 3/4 | G1/2 | G3/8 | 35 | 40 | 105 | 22217 CC/C3W33 | KM 17 | MB 17 | 63 | 42 | SOFN 217 |
| 24 | 95 | 20 | 3/4 | G1/2 | G3/8 | 35.5 | 42 | 112 | 22218 CC/C3W33 | KM 18 | MB 18 | 68 | 45 | SOFN 218 |
| 28 | 103 | 24 | 1 | G1/2 | G1/2 | 39 | 46 | 123 | 22220 CC/C3W33 | KM 20 | MB 20 | 70 | 50 | SOFN 220 |
| 28 | 114.5 | 24 | 1 | G1/2 | G1/2 | 33 | 52 | 138 | 22222 CC/C3W33 | KM 22 | MB 22 | 77 | 50 | SOFN 222 |
| 28 | 138 | 24 | 1 | G1/2 | G1/2 | 49 | 56 | 164 | 22224 CC/C3W33 | KM 24 | MB 24 | 80 | 60 | SOFN 224 |
| 28 | 135 | 24 | 1 | G1/2 | G1/2 | 47 | 58 | 164 | 22226 CC/C3W33 | KM 26 | MB 26 | 85 | 60 | SOFN 226 |
| 35 | 140 | 30 | 1-1/4 | G1/2 | G3/4 | 46.5 | 63 | 170 | 22228 CC/C3W33 | KM 28 | MB 28 | 85 | 60 | SOFN 228 |
| 35 | 140 | 30 | 1-1/4 | G1/2 | G3/4 | 43.5 | 66 | 173 | 22230 CC/C3W33 | KM 30 | MB 30 | 90 | 60 | SOFN 230 |
| 35 | 158 | 30 | 1-1/4 | G1/2 | G3/4 | 54.5 | 73 | 193 | 22232 CC/C3W33 | KM 32 | MB 32 | 95 | 65 | SOFN 232 |
| 35 | 175 | 30 | 1-1/4 | G1/2 | G3/4 | 58 | 77 | 213 | 22234 CC/C3W33 | KM 34 | MB 34 | 105 | 75 | SOFN 234 |
| 35 | 180 | 30 | 1-1/4 | G1/2 | G3/4 | 62 | 78 | 223 | 22236 CC/C3W33 | KM 36 | MB 36 | 115 | 80 | SOFN 236 |
| 42 | 185 | 36 | 1-1/2 | G1/2 | G3/4 | 63 | 82 | 226 | 22238 CC/C3W33 | KM 38 | MB 38 | 120 | 85 | SOFN 238 |
| 42 | 189 | 36 | 1-1/2 | G1/2 | G3/4 | 61.5 | 86 | 233 | 22240 CC/C3W33 | KM 40 | MB 40 | 125 | 85 | SOFN 240 |
| 42 | 202 | 36 | 1-1/2 | G1/2 | G3/4 | 62.5 | 95 | 251 | 22244 CC/C3W33 | KM 44T | MB 44 | 140 | 95 | SOFN 244 |
| 42 | 210 | 36 | 1-1/2 | G1/2 | G3/4 | 67.5 | 105 | 266 | 22248 CC/C3W33 | KM 48T | MB 48 | 155 | 110 | SOFN 248 |



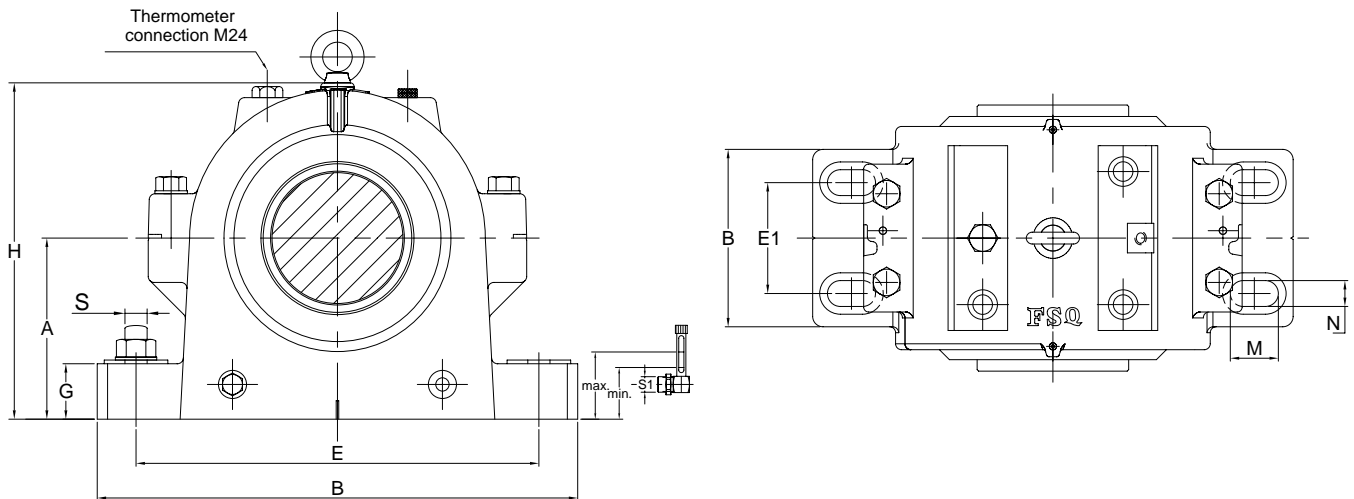
| Housing No. | Shaft Dia. | | | Dimensions mm | | | | | | | | | | | | | |
|-------------|------------|-----|--------|---------------|-----|-----|----|-----|-----|-----|-----|-----|-------|-----|----|-----|----|
| | d | d1 | d2 min | D | B | b | G | F | A | H | E | E1 | LA | LB | C1 | K | M |
| SOFN 314 | 70 | 65 | 76 | 150 | 330 | 110 | 35 | 51 | 125 | 230 | 260 | 60 | 180 | 180 | 5 | 80 | 40 |
| SOFN 316 | 80 | 78 | 86 | 170 | 360 | 135 | 40 | 58 | 140 | 255 | 290 | 80 | 199 | 214 | 5 | 95 | 40 |
| SOFN 318 | 90 | 88 | 96 | 190 | 400 | 165 | 50 | 64 | 155 | 280 | 317 | 95 | 225 | 240 | 5 | 104 | 45 |
| SOFN 320 | 100 | 98 | 108 | 215 | 420 | 170 | 55 | 73 | 170 | 315 | 347 | 90 | 255 | 270 | 8 | 115 | 45 |
| SOFN 322 | 110 | 108 | 118 | 240 | 500 | 190 | 65 | 80 | 190 | 355 | 415 | 100 | 270 | 290 | 8 | 130 | 45 |
| SOFN 324 | 120 | 118 | 128 | 260 | 540 | 190 | 65 | 86 | 200 | 380 | 450 | 115 | 285.5 | 306 | 8 | 140 | 50 |
| SOFN 326 | 130 | 128 | 140 | 280 | 560 | 205 | 65 | 93 | 215 | 405 | 470 | 120 | 300 | 320 | 8 | 150 | 50 |
| SOFN 328 | 140 | 138 | 150 | 300 | 630 | 220 | 80 | 102 | 230 | 425 | 510 | 120 | 320 | 340 | 8 | 165 | 60 |
| SOFN 330 | 150 | 148 | 168 | 320 | 650 | 240 | 75 | 108 | 245 | 455 | 545 | 150 | 335 | 350 | 10 | 175 | 65 |
| SOFN 332 | 160 | 158 | 178 | 340 | 720 | 250 | 85 | 114 | 260 | 480 | 590 | 150 | 350 | 370 | 10 | 190 | 70 |
| SOFN 334 | 170 | 168 | 188 | 360 | 730 | 260 | 85 | 120 | 275 | 510 | 600 | 160 | 358 | 378 | 12 | 197 | 70 |
| SOFN 336 | 180 | 178 | 198 | 380 | 820 | 280 | 95 | 126 | 305 | 565 | 670 | 180 | 384.5 | 404 | 12 | 210 | 80 |



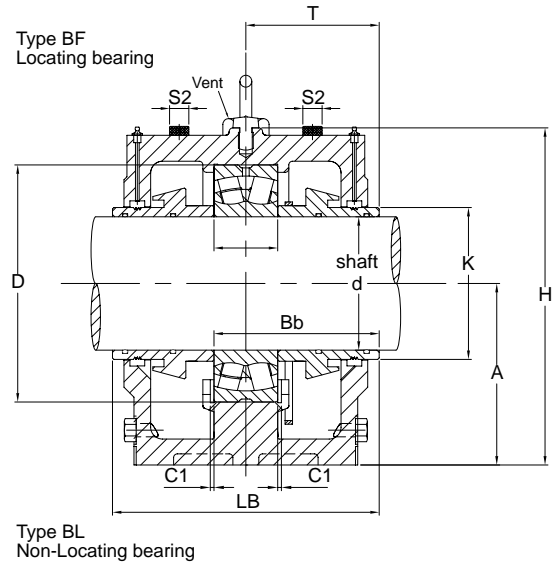
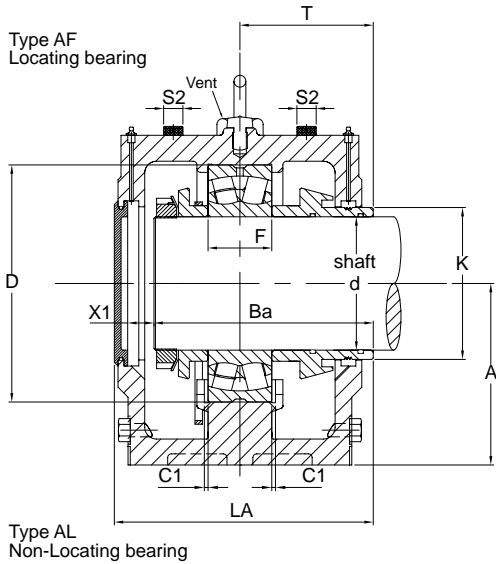
| N | T | S | | S1 | S2 | Other Dimensions | | | Bearing No. | Appropriate | | Level | | Housing No. |
|----|-----|----|-------|------|------|------------------|----|-----|----------------|-------------|-------------|-------|-----|-------------|
| | | mm | in | | | X1 | Ba | Bb | | Lock Nut | Lock Washer | max | min | |
| 24 | 90 | 20 | 3/4 | G1/2 | G3/8 | 32 | 43 | 112 | 22314 CC/C3W33 | KM 14 | MB 14 | 65 | 45 | SOFN 314 |
| 24 | 107 | 20 | 3/4 | G1/2 | G3/8 | 27 | 50 | 133 | 22316 CC/C3W33 | KM 16 | MB 16 | 73 | 45 | SOFN 316 |
| 28 | 120 | 24 | 1 | G1/2 | G1/2 | 36 | 54 | 148 | 22318 CC/C3W33 | KM 18 | MB 18 | 80 | 55 | SOFN 318 |
| 28 | 135 | 24 | 1 | G1/2 | G1/2 | 38 | 62 | 168 | 22320 CC/C3W33 | KM 20 | MB 20 | 85 | 57 | SOFN 320 |
| 35 | 145 | 30 | 1-1/4 | G1/2 | G3/4 | 39 | 66 | 180 | 22322 CC/C3W33 | KM 22 | MB 22 | 95 | 67 | SOFN 322 |
| 35 | 153 | 30 | 1-1/4 | G1/2 | G3/4 | 42.5 | 70 | 192 | 22324 CC/C3W33 | KM 24 | MB 24 | 100 | 65 | SOFN 324 |
| 35 | 160 | 30 | 1-1/4 | G1/2 | G3/4 | 45 | 75 | 202 | 22326 CC/C3W33 | KM 26 | MB 26 | 105 | 70 | SOFN 326 |
| 35 | 170 | 30 | 1-1/4 | G1/2 | G3/4 | 40 | 80 | 215 | 22328 CC/C3W33 | KM 28 | MB 28 | 115 | 70 | SOFN 328 |
| 35 | 175 | 30 | 1-1/4 | G1/2 | G3/4 | 45 | 85 | 225 | 22330 CC/C3W33 | KM 30 | MB 30 | 120 | 75 | SOFN 330 |
| 42 | 185 | 36 | 1-1/2 | G1/2 | G3/4 | 45 | 90 | 240 | 22332 CC/C3W33 | KM 32 | MB 32 | 125 | 80 | SOFN 332 |
| 42 | 189 | 36 | 1-1/2 | G1/2 | G3/4 | 45 | 94 | 244 | 22334 CC/C3W33 | KM 34 | MB 34 | 130 | 85 | SOFN 334 |
| 42 | 202 | 36 | 1-1/2 | G1/2 | G3/4 | 54.5 | 98 | 260 | 22336 CC/C3W33 | KM 36 | MB 36 | 155 | 90 | SOFN 336 |



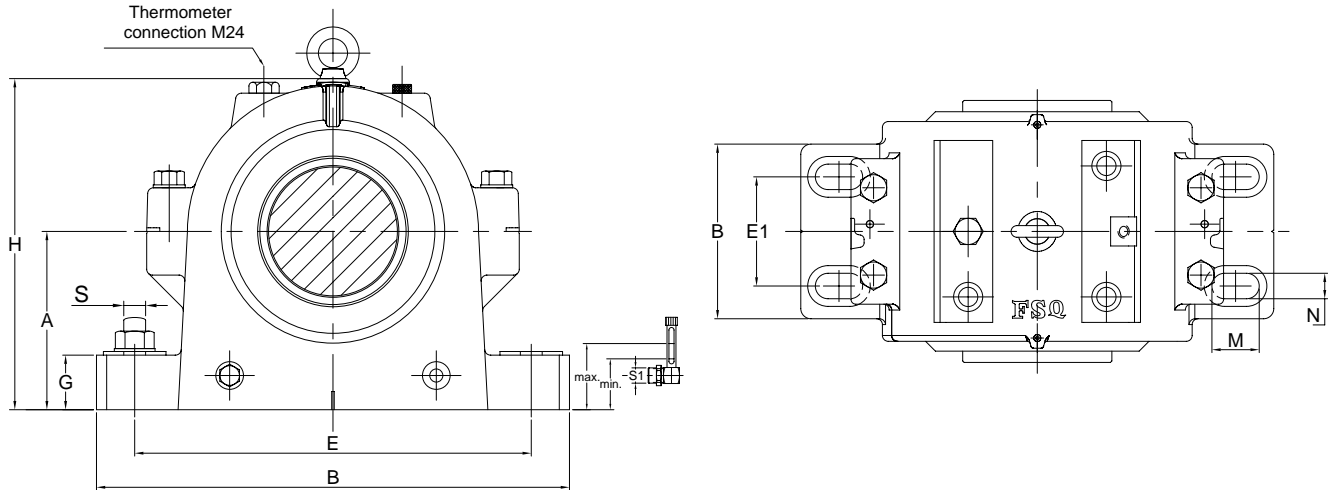
| Housing No. | Shaft Dia. | Dimensions mm | | | | | | | | | | | | | |
|-------------|------------|---------------|-----|-----|-----|-----|-----|-----|-----|-----|-------|-----|----|-----|----|
| | d | D | B | b | G | F | A | H | E | E1 | LA | LB | C1 | K | M |
| SOFN 517 | 75 | 150 | 330 | 110 | 35 | 36 | 125 | 230 | 260 | 60 | 180 | 180 | 5 | 96 | 40 |
| SOFN 518 | 80 | 160 | 360 | 120 | 45 | 40 | 135 | 245 | 290 | 70 | 187.5 | 190 | 5 | 100 | 40 |
| SOFN 520 | 90 | 180 | 400 | 130 | 50 | 46 | 145 | 270 | 320 | 75 | 203 | 206 | 5 | 110 | 45 |
| SOFN 522 | 100 | 200 | 420 | 145 | 50 | 53 | 160 | 290 | 347 | 75 | 219.5 | 229 | 5 | 120 | 45 |
| SOFN 524 | 110 | 215 | 420 | 170 | 55 | 58 | 170 | 315 | 347 | 90 | 263 | 276 | 8 | 135 | 45 |
| SOFN 526 | 115 | 230 | 450 | 180 | 60 | 64 | 180 | 335 | 377 | 100 | 260 | 270 | 8 | 145 | 45 |
| SOFN 528 | 125 | 250 | 500 | 190 | 65 | 68 | 190 | 355 | 415 | 100 | 269.5 | 280 | 8 | 160 | 45 |
| SOFN 530 | 135 | 270 | 540 | 190 | 65 | 73 | 200 | 380 | 450 | 115 | 269.5 | 280 | 8 | 170 | 50 |
| SOFN 532 | 140 | 290 | 560 | 205 | 65 | 80 | 215 | 405 | 470 | 120 | 305.5 | 316 | 10 | 178 | 50 |
| SOFN 534 | 150 | 310 | 610 | 230 | 70 | 86 | 235 | 440 | 515 | 130 | 340 | 350 | 10 | 195 | 55 |
| SOFN 536 | 160 | 320 | 650 | 240 | 75 | 86 | 245 | 455 | 545 | 150 | 350 | 360 | 10 | 205 | 65 |
| SOFN 538 | 170 | 340 | 720 | 250 | 85 | 92 | 260 | 480 | 590 | 150 | 360 | 370 | 12 | 220 | 70 |
| SOFN 540 | 180 | 360 | 730 | 260 | 85 | 98 | 275 | 510 | 600 | 160 | 366.5 | 378 | 12 | 227 | 70 |
| SOFN 544 | 200 | 400 | 820 | 280 | 95 | 108 | 305 | 565 | 670 | 180 | 389.5 | 404 | 12 | 255 | 80 |
| SOFN 548 | 220 | 440 | 900 | 290 | 100 | 120 | 340 | 625 | 740 | 190 | 412.5 | 420 | 12 | 270 | 80 |



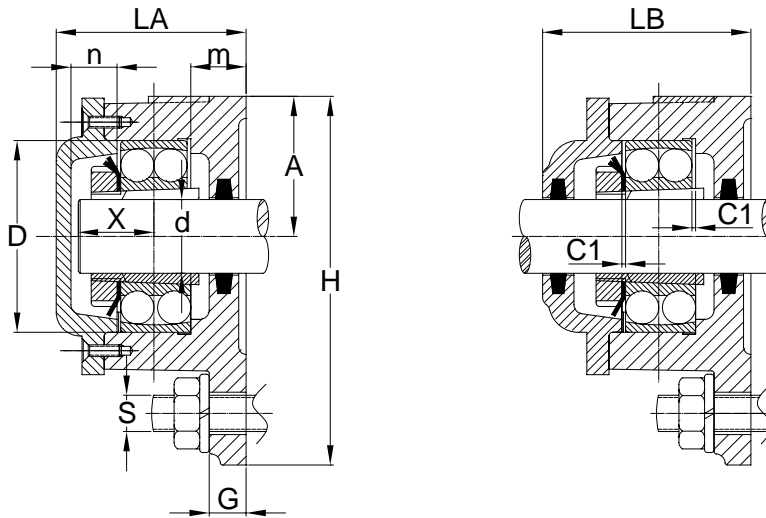
| N | T | S | | S1 | S2 | Other Dimensions | | Bearing No. | Adapter Sleeve Designation | Level | | Housing No. |
|----|-------|----|-------|------|------|------------------|-----|-----------------|----------------------------|-------|-----|-------------|
| | | mm | in | | | X1 | Ba | | | max | min | |
| 24 | 90 | 20 | 3/4 | G1/2 | G3/8 | 35 | 40 | 22217 CCK/C3W33 | H317 | 63 | 42 | SOFN 517 |
| 24 | 95 | 20 | 3/4 | G1/2 | G3/8 | 35.5 | 42 | 22218 CCK/C3W33 | H318 | 68 | 45 | SOFN 518 |
| 28 | 103 | 24 | 1 | G1/2 | G1/2 | 39 | 46 | 22220 CCK/C3W33 | H320 | 70 | 50 | SOFN 520 |
| 28 | 114.5 | 24 | 1 | G1/2 | G1/2 | 33 | 52 | 22222 CCK/C3W33 | H322 | 77 | 50 | SOFN 522 |
| 28 | 138 | 24 | 1 | G1/2 | G1/2 | 49 | 56 | 22224 CCK/C3W33 | H3124 | 80 | 60 | SOFN 524 |
| 28 | 135 | 24 | 1 | G1/2 | G1/2 | 47 | 58 | 22226 CCK/C3W33 | H3126 | 85 | 60 | SOFN 526 |
| 35 | 140 | 30 | 1-1/4 | G1/2 | G3/4 | 46.5 | 63 | 22228 CCK/C3W33 | H3128 | 85 | 60 | SOFN 528 |
| 35 | 140 | 30 | 1-1/4 | G1/2 | G3/4 | 43.5 | 66 | 22230 CCK/C3W33 | H3130 | 90 | 60 | SOFN 530 |
| 35 | 158 | 30 | 1-1/4 | G1/2 | G3/4 | 54.5 | 73 | 22232 CCK/C3W33 | H3132 | 95 | 65 | SOFN 532 |
| 35 | 175 | 30 | 1-1/4 | G1/2 | G3/4 | 58 | 77 | 22234 CCK/C3W33 | H3134 | 105 | 75 | SOFN 534 |
| 35 | 180 | 30 | 1-1/4 | G1/2 | G3/4 | 62 | 78 | 22236 CCK/C3W33 | H3136 | 115 | 80 | SOFN 536 |
| 42 | 185 | 36 | 1-1/2 | G1/2 | G3/4 | 63 | 82 | 22238 CCK/C3W33 | H3138 | 120 | 85 | SOFN 538 |
| 42 | 189 | 36 | 1-1/2 | G1/2 | G3/4 | 61.5 | 86 | 22240 CCK/C3W33 | H3140 | 125 | 85 | SOFN 540 |
| 42 | 202 | 36 | 1-1/2 | G1/2 | G3/4 | 62.5 | 95 | 22244 CCK/C3W33 | OH3144 HB | 140 | 95 | SOFN 544 |
| 42 | 210 | 36 | 1-1/2 | G1/2 | G3/4 | 67.5 | 105 | 22248 CCK/C3W33 | OH3148 HB | 155 | 110 | SOFN 548 |



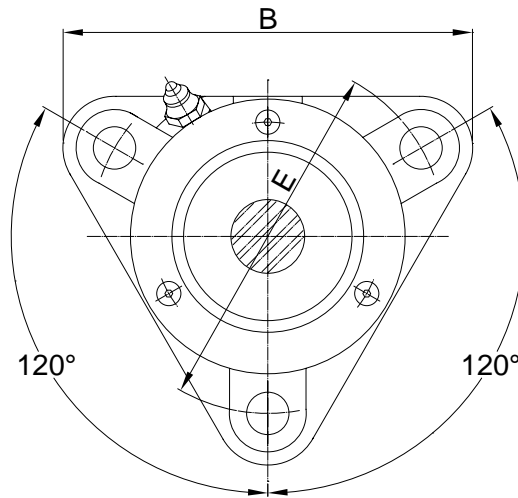
| Housing No. | Shaft Dia. | Dimensions mm | | | | | | | | | | | | | |
|-------------|------------|---------------|-----|-----|----|-----|-----|-----|-----|-----|-------|-----|----|-----|----|
| | d | D | B | b | G | F | A | H | E | E1 | LA | LB | C1 | K | M |
| SOFN 614 | 60 | 150 | 330 | 110 | 35 | 51 | 125 | 230 | 260 | 60 | 180 | 180 | 5 | 80 | 40 |
| SOFN 616 | 70 | 170 | 360 | 135 | 40 | 58 | 140 | 255 | 290 | 80 | 199 | 214 | 5 | 95 | 40 |
| SOFN 618 | 80 | 190 | 400 | 165 | 50 | 64 | 155 | 280 | 317 | 95 | 225 | 240 | 5 | 104 | 45 |
| SOFN 620 | 90 | 215 | 420 | 170 | 55 | 73 | 170 | 315 | 347 | 90 | 255 | 270 | 8 | 115 | 45 |
| SOFN 622 | 100 | 240 | 500 | 190 | 65 | 80 | 190 | 355 | 415 | 100 | 270 | 290 | 8 | 130 | 45 |
| SOFN 624 | 110 | 260 | 540 | 190 | 65 | 86 | 200 | 380 | 450 | 115 | 285.5 | 306 | 8 | 140 | 50 |
| SOFN 626 | 115 | 280 | 560 | 205 | 65 | 93 | 215 | 405 | 470 | 120 | 300 | 320 | 8 | 150 | 50 |
| SOFN 628 | 125 | 300 | 630 | 220 | 80 | 102 | 230 | 425 | 510 | 120 | 320 | 340 | 8 | 165 | 60 |
| SOFN 630 | 135 | 320 | 650 | 240 | 75 | 108 | 245 | 455 | 545 | 150 | 335 | 350 | 10 | 175 | 65 |
| SOFN 632 | 140 | 340 | 720 | 250 | 85 | 114 | 260 | 480 | 590 | 150 | 350 | 370 | 10 | 190 | 70 |
| SOFN 634 | 150 | 360 | 730 | 260 | 85 | 120 | 275 | 510 | 600 | 160 | 358 | 378 | 12 | 197 | 70 |
| SOFN 636 | 160 | 380 | 820 | 280 | 95 | 126 | 305 | 565 | 670 | 180 | 384.5 | 404 | 12 | 210 | 80 |



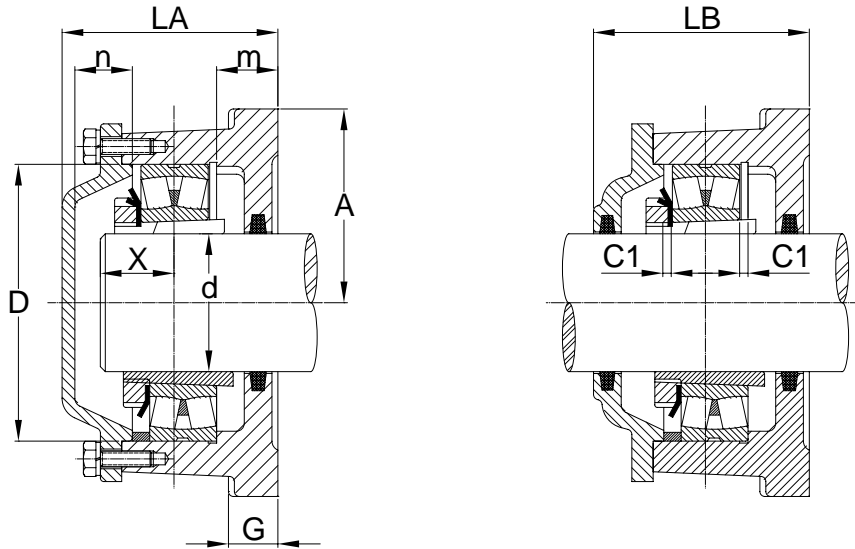
| N | T | S | | S1 | S2 | Other Dimensions | | Bearing No. | Adapter Sleeve Designation | Level | | Housing No. |
|----|-----|----|-------|------|------|------------------|----|-----------------|----------------------------|-------|-----|-------------|
| | | mm | in | | | X1 | Ba | | | max | min | |
| 24 | 90 | 20 | 3/4 | G1/2 | G3/8 | 32 | 43 | 22314 CCK/C3W33 | H2314 | 65 | 45 | SOFN 614 |
| 24 | 107 | 20 | 3/4 | G1/2 | G3/8 | 27 | 50 | 22316 CCK/C3W33 | H2316 | 73 | 45 | SOFN 616 |
| 28 | 120 | 24 | 1 | G1/2 | G1/2 | 36 | 54 | 22318 CCK/C3W33 | H2318 | 80 | 55 | SOFN 618 |
| 28 | 135 | 24 | 1 | G1/2 | G1/2 | 38 | 62 | 22320 CCK/C3W33 | H2320 | 85 | 57 | SOFN 620 |
| 35 | 145 | 30 | 1-1/4 | G1/2 | G3/4 | 39 | 66 | 22322 CCK/C3W33 | H2322 | 95 | 67 | SOFN 622 |
| 35 | 153 | 30 | 1-1/4 | G1/2 | G3/4 | 42.5 | 70 | 22324 CCK/C3W33 | H2324 | 100 | 65 | SOFN 624 |
| 35 | 160 | 30 | 1-1/4 | G1/2 | G3/4 | 45 | 75 | 22326 CCK/C3W33 | H2326 | 105 | 70 | SOFN 626 |
| 35 | 170 | 30 | 1-1/4 | G1/2 | G3/4 | 40 | 80 | 22328 CCK/C3W33 | H2328 | 115 | 70 | SOFN 628 |
| 35 | 175 | 30 | 1-1/4 | G1/2 | G3/4 | 45 | 85 | 22330 CCK/C3W33 | H2330 | 120 | 75 | SOFN 630 |
| 42 | 185 | 36 | 1-1/2 | G1/2 | G3/4 | 45 | 90 | 22332 CCK/C3W33 | H2332 | 125 | 80 | SOFN 632 |
| 42 | 189 | 36 | 1-1/2 | G1/2 | G3/4 | 45 | 94 | 22334 CCK/C3W33 | H2334 | 130 | 85 | SOFN 634 |
| 42 | 202 | 36 | 1-1/2 | G1/2 | G3/4 | 54.5 | 98 | 22336 CCK/C3W33 | H2336 | 155 | 90 | SOFN 636 |



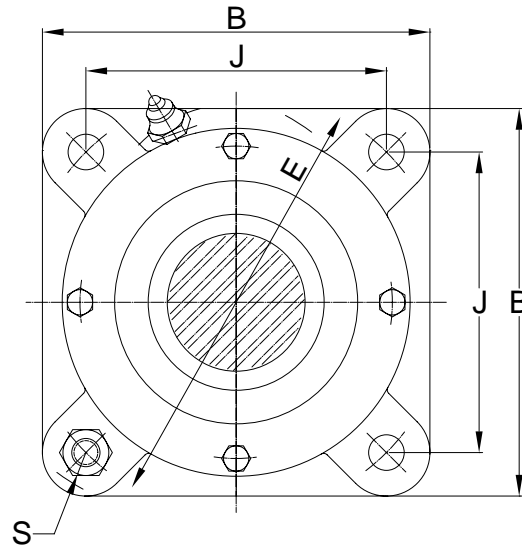
| Housing No. | Shaft Dia. | Dimensions mm | | | | | | | | |
|-------------|------------|---------------|-----|----|------|-------|-----|------|------|----|
| | d | D | B | G | A | H | E | LA | LB | m |
| | (mm) | G7 | | | | | | | | |
| 722505DA/DB | 20 | 52 | 110 | 10 | 38 | 100 | 96 | 51.5 | 56.5 | 15 |
| 722506DA/DB | 25 | 62 | 130 | 12 | 44 | 117 | 116 | 57 | 59.5 | 16 |
| 722507DA/DB | 30 | 72 | 145 | 12 | 48.5 | 129.5 | 130 | 59.5 | 63.5 | 16 |
| 722508DA/DB | 35 | 80 | 160 | 12 | 54 | 143 | 140 | 64 | 65.5 | 17 |
| 722509DA/DB | 40 | 85 | 180 | 12 | 60 | 160 | 160 | 64.5 | 69.5 | 19 |
| 722510DA/DB | 45 | 90 | 180 | 15 | 60 | 160 | 160 | 68.5 | 73 | 22 |
| 722511DA/DB | 50 | 100 | 192 | 15 | 65 | 172.5 | 170 | 75.5 | 81.5 | 24 |
| 722512DA/DB | 55 | 110 | 210 | 15 | 72 | 189 | 180 | 77 | 82 | 23 |
| 722513DA/DB | 60 | 120 | 225 | 15 | 77.5 | 202.5 | 190 | 80 | 86 | 22 |



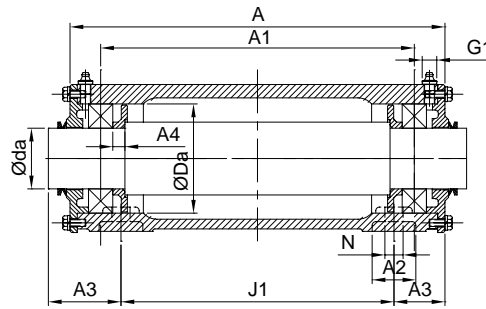
| n | C1 | S | X | Bearing No. | Adapter Sleeve | Locating Ring | | Felt Seal | Weight | |
|------|-----|-----|------|-------------|----------------|---------------|------|-----------|--------|------|
| | | | | | | Number | Q'ty | | DA | DB |
| | | | | | | | | | kg | kg |
| 12.5 | 2.5 | M10 | 18.5 | 1205 K | H205 | SR 52×5 | 1 | FS 110 | 1.10 | 1.15 |
| | | | | 2205 K | H305 | ZW 42×52 | 1 | | | |
| 15 | 3 | M10 | 19 | 1206 K | H206 | SR 62×6 | 1 | FS 190 | 1.55 | 1.55 |
| | | | | 2206 K | H306 | ZW 50×62 | 1 | | | |
| 14.5 | 4 | M12 | 20.5 | 1207 K | H207 | SR 72×8 | 1 | FS 190 | 1.90 | 1.90 |
| | | | | 2207 K | H307 | ZW 65×72 | 1 | | | |
| | | | | 22207CCK | H307 | ZW 65×72 | 1 | | | |
| 18 | 3.5 | M12 | 22 | 1208 K | H208 | SR 80×7 | 1 | FS 190 | 2.51 | 2.59 |
| | | | | 2208 K | H308 | ZW 70×80 | 1 | | | |
| | | | | 22208 | H308 | ZW 70×80 | 1 | | | |
| 16.5 | 3 | M12 | 24 | 1209 K | H209 | SR 85×6 | 1 | FS 190 | 2.75 | 2.85 |
| | | | | 2209 K | H309 | ZW 75×85 | 1 | | | |
| | | | | 22209 CCK | H309 | ZW 75×85 | 1 | | | |
| 17.5 | 2.5 | M12 | 25.5 | 1210 K | H210 | SR 90×5 | 1 | FS 190 | 3.00 | 3.00 |
| | | | | 2210 K | H310 | ZW 80×90 | 1 | | | |
| | | | | 22210 CCK | H310 | ZW 80×90 | 1 | | | |
| 19.5 | 3 | M12 | 26.5 | 1211 K | H211 | SR 100×6 | 1 | FS 260 | 3.79 | 3.90 |
| | | | | 2211 K | H311 | ZW 85×100 | 1 | | | |
| | | | | 22211 CCK | H311 | ZW 85×100 | 1 | | | |
| 19 | 4 | M12 | 27 | 1212 K | H212 | SR 110×8 | 1 | FS 260 | 4.90 | 5.01 |
| | | | | 2212 K | H312 | ZW 90×110 | 1 | | | |
| | | | | 22212 CCK | H312 | ZW 90×100 | 1 | | | |
| 20 | 5 | M12 | 28.5 | 1213 K | H213 | SR 120×10 | 1 | FS 260 | 5.76 | 5.77 |
| | | | | 2213 K | H313 | SR 120×2 | 1 | | | |
| | | | | 22213 CCK | H313 | SR 120×2 | 1 | | | |



| Housing No. | Shaft Dia. | Dimensions mm | | | | | | | | |
|-------------|------------|---------------|-----|----|-----|-----|-----|-----|-----|----|
| | d | D | B | G | A | E | J | LA | LB | m |
| | (mm) | G7 | | | | | | | | |
| 722515A/B | 65 | 130 | 190 | 25 | 95 | 215 | 152 | 104 | 104 | 30 |
| 722516A/B | 70 | 140 | 196 | 25 | 98 | 215 | 152 | 110 | 110 | 31 |
| 722517A/B | 75 | 150 | 210 | 25 | 105 | 240 | 170 | 114 | 114 | 31 |
| 722518A/B | 80 | 160 | 210 | 25 | 105 | 240 | 170 | 118 | 118 | 30 |
| 722520A/B | 90 | 180 | 250 | 30 | 125 | 280 | 198 | 127 | 127 | 30 |
| 722522A/B | 100 | 200 | 270 | 30 | 135 | 310 | 219 | 137 | 137 | 30 |



| n | C1 | S | Bearing No. | Adapter Sleeve | Locating Ring | | Felt Seal | Weight | |
|----|------|-----|---------------|----------------|---------------|------|-----------|--------|-------|
| | | | | | Number | Q'ty | | DA | DB |
| | | | | | | | | kg | kg |
| 27 | 8 | M16 | 1215 K | H215 | SR 130×8 | 2 | FS 260 | 9.25 | 9.25 |
| | | | 2215 K | H315 | SR 130×10 | 1 | | | |
| | | | 22215 CCK | H315 | SR 130×10 | 1 | | | |
| 36 | 8.5 | M16 | 1216 K | H216 | SR 140×8.5 | 2 | FS 330 | 9.90 | 9.50 |
| | | | 2216 K | H316 | SR 140×10 | 1 | | | |
| | | | 22216 K | H316 | SR 140×10 | 1 | | | |
| 37 | 9 | M16 | 1217 K | H217 | SR 150×9 | 2 | FS 330 | 11.45 | 11.15 |
| | | | 2217 K | H317 | SR 150×10 | 1 | | | |
| | | | 22217 CCK/W33 | H317 | SR 150×10 | 1 | | | |
| 38 | 10 | M16 | 1218 K | H218 | SR 160×10 | 2 | FS 330 | 11.92 | 12.10 |
| | | | 2218 K | H318 | SR 160×10 | 1 | | | |
| | | | 22218 CCK/W33 | H318 | SR 160×10 | 1 | | | |
| 41 | 11 | M20 | 1220 K | H220 | SR 180×10 | 1 | FS 370 | 18.5 | 18.00 |
| | | | | | SR 180×12 | 1 | | | |
| | | | 2220 K | H320 | SR 180×10 | 1 | | | |
| | | | 22220 CCK/W33 | H320 | SR 180×10 | 1 | | | |
| 44 | 12.5 | M20 | 1222 K | H222 | SR 200×12.5 | 2 | FS 460 | 22.15 | 21.40 |
| | | | 2222 K | H322 | SR 200×10 | 1 | | | |
| | | | 22222 CCK/W33 | H322 | SR 200×10 | 1 | | | |

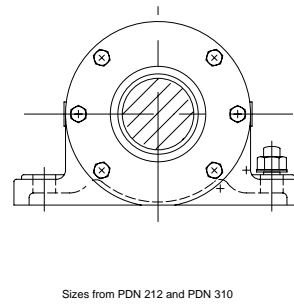
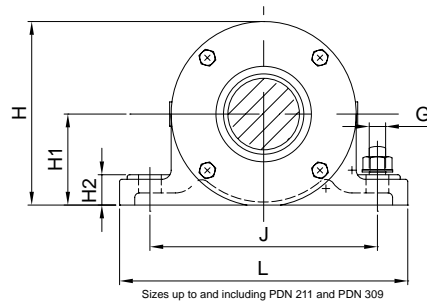


SERIES PDN 200 - HOUSING DIMENSIONS

| Housing No. | Shaft Dia | Dimensions mm | | | | | | | | | | | | | | |
|-------------|-----------|---------------|-------|----|------|------|-----|-----|-----|----|-----|-----|-----|----|----|------|
| | da | A | A1 | A2 | A3 | A4 | Da | H | H1 | H2 | J | J1 | L | N | G | G1 |
| PDN 206 | 30 | 197 | 147.5 | 35 | 37.5 | 7 | 62 | 95 | 50 | 16 | 120 | 135 | 155 | 12 | 10 | G1/8 |
| PDN 207 | 35 | 227 | 173.5 | 40 | 45 | 7 | 72 | 100 | 50 | 18 | 130 | 150 | 160 | 15 | 12 | G1/8 |
| PDN 208 | 40 | 259 | 198.5 | 45 | 49.5 | 8 | 80 | 116 | 60 | 18 | 150 | 175 | 190 | 15 | 12 | G1/8 |
| PDN 210 | 50 | 314 | 258.5 | 52 | 52 | 10 | 90 | 121 | 60 | 20 | 150 | 225 | 190 | 15 | 12 | G1/8 |
| PDN 211 | 55 | 356 | 283.5 | 52 | 60.5 | 10 | 100 | 137 | 70 | 22 | 170 | 250 | 210 | 15 | 12 | G1/8 |
| PDN 212 | 60 | 376 | 316.5 | 60 | 58 | 10 | 110 | 142 | 70 | 25 | 170 | 275 | 210 | 15 | 12 | G1/8 |
| PDN 214 | 70 | 459 | 390.5 | 70 | 69 | 10 | 125 | 165 | 80 | 25 | 210 | 340 | 260 | 19 | 16 | G1/8 |
| PDN 215 | 75 | 459 | 389.5 | 70 | 69 | 10 | 130 | 165 | 80 | 25 | 210 | 340 | 260 | 19 | 16 | G1/8 |
| PDN 216 | 80 | 493 | 409.5 | 70 | 76 | 11 | 140 | 185 | 95 | 25 | 230 | 360 | 280 | 19 | 16 | G1/4 |
| PDN 218 | 90 | 543 | 455.5 | 80 | 81 | 12 | 160 | 200 | 100 | 30 | 260 | 400 | 320 | 19 | 16 | G1/4 |
| PDN 220 | 100 | 588 | 493 | 80 | 83.5 | 12 | 180 | 225 | 112 | 30 | 290 | 440 | 350 | 19 | 16 | G1/4 |
| PDN 222 | 110 | 634 | 547 | 90 | 88 | 13 | 200 | 253 | 125 | 36 | 320 | 480 | 400 | 24 | 20 | G1/4 |
| PDN 224 | 120 | 672 | 577 | 95 | 97 | 11.5 | 215 | 264 | 130 | 40 | 320 | 500 | 400 | 24 | 20 | G1/4 |

SERIES PDN 300 - HOUSING DIMENSIONS

| Housing No. | Shaft Dia | Dimensions mm | | | | | | | | | | | | | | |
|-------------|-----------|---------------|-------|-----|------|------|-----|-----|-----|----|-----|-----|-----|----|----|------|
| | da | A | A1 | A2 | A3 | A4 | Da | H | H1 | H2 | J | J1 | L | N | G | G1 |
| PDN 305 | 25 | 202 | 146.5 | 35 | 40.5 | 7 | 62 | 95 | 50 | 16 | 120 | 135 | 155 | 12 | 10 | G1/8 |
| PDN 306 | 30 | 226 | 171.5 | 40 | 45 | 7 | 72 | 100 | 50 | 18 | 130 | 150 | 160 | 15 | 12 | G1/8 |
| PDN 307 | 35 | 259 | 198.5 | 45 | 49.5 | 8 | 80 | 116 | 60 | 18 | 150 | 175 | 190 | 15 | 12 | G1/8 |
| PDN 308 | 40 | 315 | 255.5 | 52 | 53 | 10 | 90 | 121 | 60 | 20 | 150 | 225 | 190 | 15 | 12 | G1/8 |
| PDN 309 | 45 | 360 | 279.5 | 52 | 63 | 10 | 100 | 137 | 70 | 22 | 170 | 250 | 210 | 15 | 12 | G1/8 |
| PDN 310 | 50 | 377 | 311.5 | 60 | 59 | 10 | 110 | 142 | 70 | 25 | 170 | 275 | 210 | 15 | 12 | G1/8 |
| PDN 311 | 55 | 422 | 335.5 | 60 | 69 | 10 | 120 | 158 | 80 | 25 | 210 | 300 | 260 | 19 | 16 | G1/8 |
| PDN 312 | 60 | 460 | 383.5 | 70 | 68 | 10 | 130 | 165 | 80 | 25 | 210 | 340 | 260 | 19 | 16 | G1/8 |
| PDN 313 | 65 | 492 | 402.5 | 70 | 74 | 11 | 140 | 185 | 95 | 25 | 230 | 360 | 280 | 19 | 16 | G1/4 |
| PDN 314 | 70 | 512 | 420.5 | 70 | 76 | 11 | 150 | 190 | 95 | 25 | 230 | 380 | 290 | 19 | 16 | G1/4 |
| PDN 315 | 75 | 547 | 448.5 | 80 | 83.5 | 12 | 160 | 200 | 100 | 30 | 260 | 400 | 320 | 19 | 16 | G1/4 |
| PDN 316 | 80 | 556 | 466.5 | 80 | 78 | 12 | 170 | 220 | 112 | 30 | 260 | 420 | 320 | 19 | 16 | G1/4 |
| PDN 317 | 85 | 590 | 486 | 80 | 85 | 12 | 180 | 225 | 112 | 30 | 290 | 440 | 350 | 19 | 16 | G1/4 |
| PDN 318 | 90 | 605 | 510 | 85 | 82.5 | 11 | 190 | 230 | 112 | 30 | 290 | 460 | 350 | 19 | 16 | G1/4 |
| PDN 319 | 95 | 648 | 540 | 90 | 94 | 13 | 200 | 253 | 125 | 36 | 320 | 480 | 400 | 24 | 20 | G1/4 |
| PDN 320 | 100 | 673 | 570 | 95 | 96.5 | 11.5 | 215 | 264 | 130 | 40 | 320 | 500 | 400 | 24 | 20 | G1/4 |
| PDN 322 | 110 | 686 | 580 | 95 | 94.5 | 10 | 240 | 296 | 150 | 40 | 380 | 520 | 450 | 28 | 24 | G1/4 |
| PDN 324 | 120 | 707 | 600 | 100 | 96 | 11.5 | 260 | 322 | 160 | 40 | 410 | 538 | 500 | 35 | 30 | G1/4 |



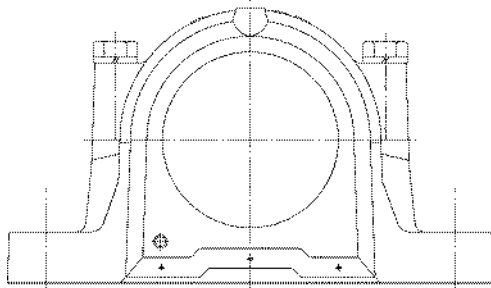
SERIES PDN 200 - HOUSING DIMENSIONS

| Housing No. | Bearing No. | Shaft | Spring Washer | V-Ring | Felt Seal | Weight |
|-------------|-------------|-------------|---------------|--------|-----------|--------|
| PDN 206 | 6206 | VJ-PDNB 206 | WF-62 | V-30A | - | 7.40 |
| PDN 207 | 6207 | VJ-PDNB 207 | WF-72 | V-35A | - | 10.0 |
| PDN 208 | 6208 | VJ-PDNB 208 | WF-80 | V-40A | - | 14.5 |
| PDN 210 | 6210 | VJ-PDNB 210 | WF-90 | V-50A | - | 22.6 |
| PDN 211 | 6211 | VJ-PDNB 211 | WF-100 | V-55A | - | 27.7 |
| PDN 212 | 6212 | VJ-PDNB 212 | WF-110 | V-60A | - | 33.0 |
| PDN 214 | 6214 | VJ-PDNB 214 | WF-125 | V-70A | - | 60.7 |
| PDN 215 | 6215 | VJ-PDNB 215 | WF-130 | V-75A | - | 62.0 |
| PDN 216 | 6216 | VJ-PDNB 216 | WF-140 | V-80A | - | 66.8 |
| PDN 218 | 6218 | VJ-PDNB 218 | WF-160 | V-90A | - | 96.3 |
| PDN 220 | 6220 | VJ-PDNB 220 | - | V-100A | - | 130 |
| PDN 222 | 6222 | VJ-PDNB 222 | - | V-110A | - | 176 |
| PDN 224 | 6224 | VJ-PDNB 224 | - | V-120A | - | 207 |

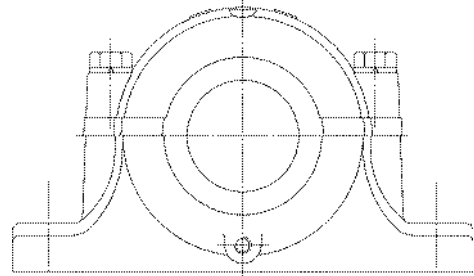
SERIES PDN 300 - HOUSING DIMENSIONS

| Housing No. | Bearing No. | Shaft | Spring Washer | V-Ring | Felt Seal | Weight |
|-------------|-------------|-------------|---------------|--------|-----------|--------|
| PDN 305 | 6305 | VJ-PDNB 305 | WF-62 | V-25A | FS 190 | 7.00 |
| PDN 306 | 6306 | VJ-PDNB 306 | WF-72 | V-30A | FS 190 | 9.60 |
| PDN 307 | 6307 | VJ-PDNB 307 | WF-80 | V-35A | FS 190 | 13.5 |
| PDN 308 | 6308 | VJ-PDNB 308 | WF-90 | V-40A | FS 190 | 19.5 |
| PDN 309 | 6309 | VJ-PDNB 309 | WF-100 | V-45A | FS 190 | 24.3 |
| PDN 310 | 6310 | VJ-PDNB 310 | WF-110 | V-50A | FS 260 | 29.7 |
| PDN 311 | 6311 | VJ-PDNB 311 | WF-120 | V-55A | FS 260 | 39.7 |
| PDN 312 | 6312 | VJ-PDNB 312 | WF-130 | V-60A | FS 260 | 52.4 |
| PDN 313 | 6313 | VJ-PDNB 313 | WF-140 | V-65A | FS 260 | 57.2 |
| PDN 314 | 6314 | VJ-PDNB 314 | WF-150 | V-70A | FS 330 | 68.5 |
| PDN 315 | 6315 | VJ-PDNB 315 | WF-160 | V-75A | FS 330 | 80.5 |
| PDN 316 | 6316 | VJ-PDNB 316 | WF-170 | V-80A | FS 330 | 92.2 |
| PDN 317 | 6317 | VJ-PDNB 317 | - | V-85A | FS 330 | 114 |
| PDN 318 | 6318 | VJ-PDNB 318 | - | V-90A | FS 370 | 134 |
| PDN 319 | 6319 | VJ-PDNB 319 | - | V-95A | FS 370 | 155 |
| PDN 320 | 6320 | VJ-PDNB 320 | - | V-100A | FS 460 | 177 |
| PDN 322 | 6322 | VJ-PDNB 322 | - | V-110A | FS 460 | 226 |
| PDN 324 | 6324 | VJ-PDNB 324 | - | V-120A | FS 460 | 276 |

SNK500

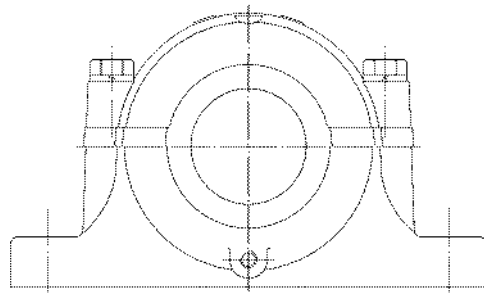


SN500/600/3000

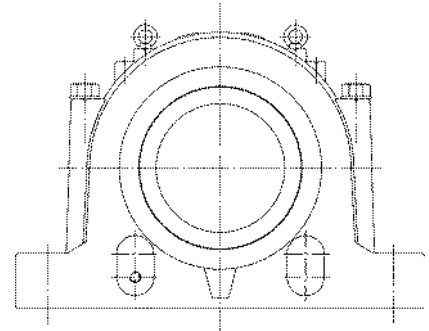


| | | | | |
|--|--|---------------|---|---------------|
| Material | Cast Iron, Ductile Iron & Cast Steel | | Cast Iron, Ductile Iron & Cast Steel | |
| Appropriate Bearing Series Mounting | 12, 22, 13, 23, 222, 223 Adapter & Cylindrical | | 12, 22, 13, 23, 222, 223, 232, 213, 230 Adapter & Cylindrical | |
| Shaft Size Range | 3/4" ~ 5-1/2" | 20mm to 140mm | 3/4" ~ 6" | 20mm to 200mm |
| Plummer Block Size | 505-532 | | 505-532 605-623 3024-3044 3122-3138 | |
| Lubrication | | | | |
| Standard Seals | | | | |
| Optional Seals | | | | |
| | | | | |
| | | | | |

SSN500/600 FS / TS / TAC



SD3100FS / TS / TAC



Material

Cast Iron, Ductile Iron & Cast Steel

Cast Iron, Ductile Iron & Cast Steel

Appropriate Bearing Series Mounting

12, 22, 13, 23, 222, 223 Adapter & Cylindrical

213 Adapter & Cylindrical

Shaft Size Range

3/4" ~ 6"

20mm to 150mm

3/4" ~ 13-15/16"

150mm to 380mm

Plummer Block Size

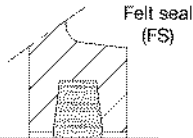
505-532 605-632

3134-3180

Lubrication



Standard Seals



Felt seal (FS)

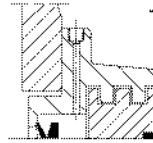


TS seal

Optional Seals



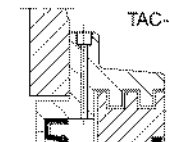
ZF seal



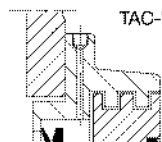
TAC-V seal



TS seal



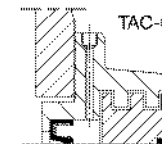
TAC-O seal



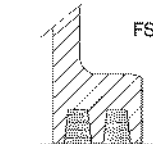
TAC-V seal



ZF seal

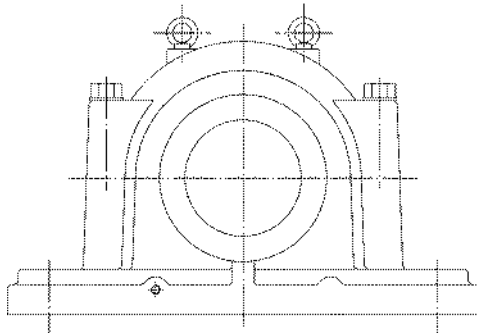


TAC-O seal

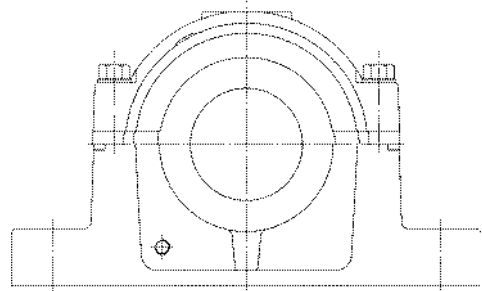


FS seal

SD500/600/3000



SAF500/600



Material

Cast Iron, Ductile Iron & Cast Steel

Cast Iron, Ductile Iron & Cast Steel

Appropriate Bearing Series Mounting

222, 223, 230
Adapter & Cylindrical

222, 223
Adapter & Cylindrical

Shaft Size Range

- 150mm to 360mm

1-7/16" ~ 7-3/16"

-

Plummer Block Size

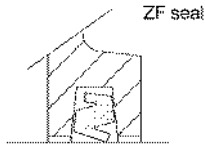
534-564 634-656 3034-3076

509-544 609-640

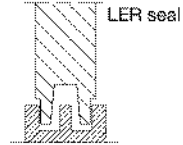
Lubrication



Standard Seals

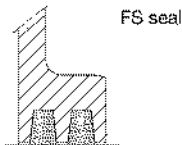


ZF seal

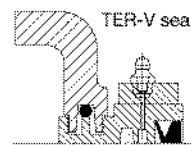


LER seal

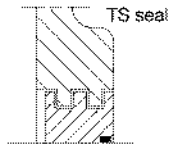
Optional Seals



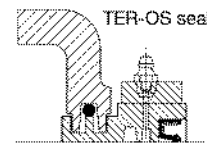
FS seal



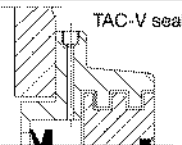
TER-V seal



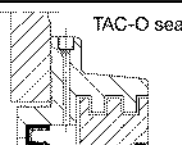
TS seal



TER-OS seal

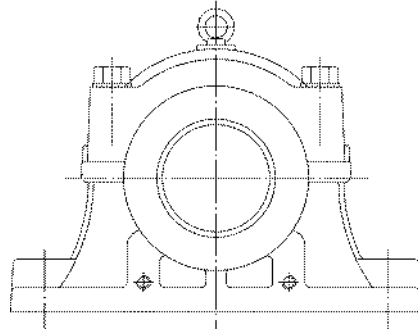


TAC-V seal

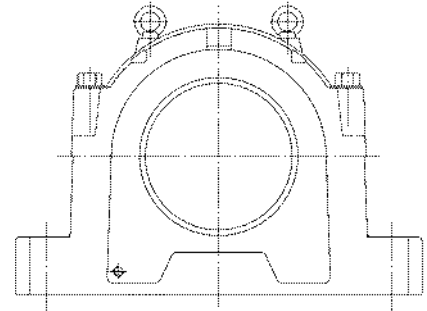


TAC-O seal

SDAF500/600/00K



SNK3100/3000



Material

Cast Iron, Ductile Iron & Cast Steel

Cast Iron, Ductile Iron & Cast Steel

Appropriate Bearing Series Mounting

**222, 223, 230
Adapter & Cylindrical**

**213, 230
Adapter & Cylindrical**

Shaft Size Range

3-7/16" ~ 14"

-

-

150mm to 450mm

Plummer Block Size

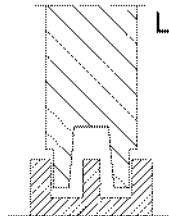
520-544 616-640 024K-076K

3134-3196

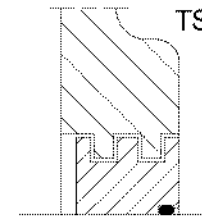
Lubrication



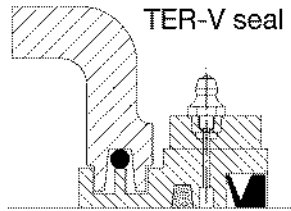
Standard Seals



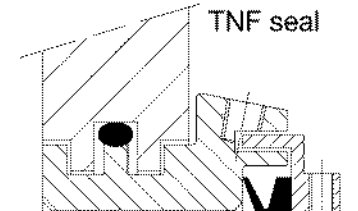
LER seal



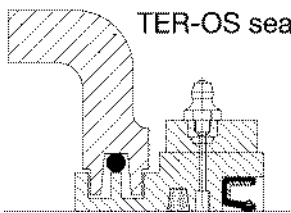
TS seal



TER-V seal

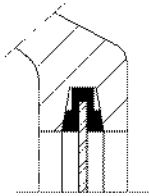


TNF seal

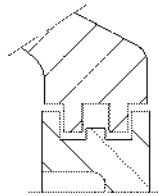


TER-OS seal

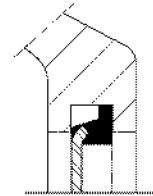
NOTES: SNK3100 (GREASE QUANTITIES)
Fills approximately 40% of the free space in the housing



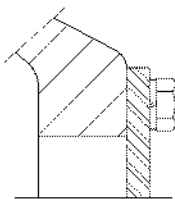
"NA" for SN type



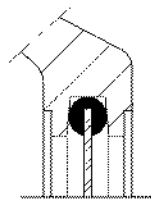
"TSA" for SD/SSN-TS types



"A" for SNK & SNU types



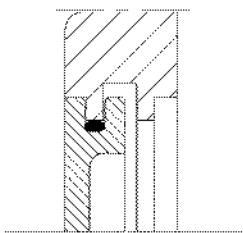
"P" for SD/SSN types
with taconite



"EPR" for SAF/SDAF types



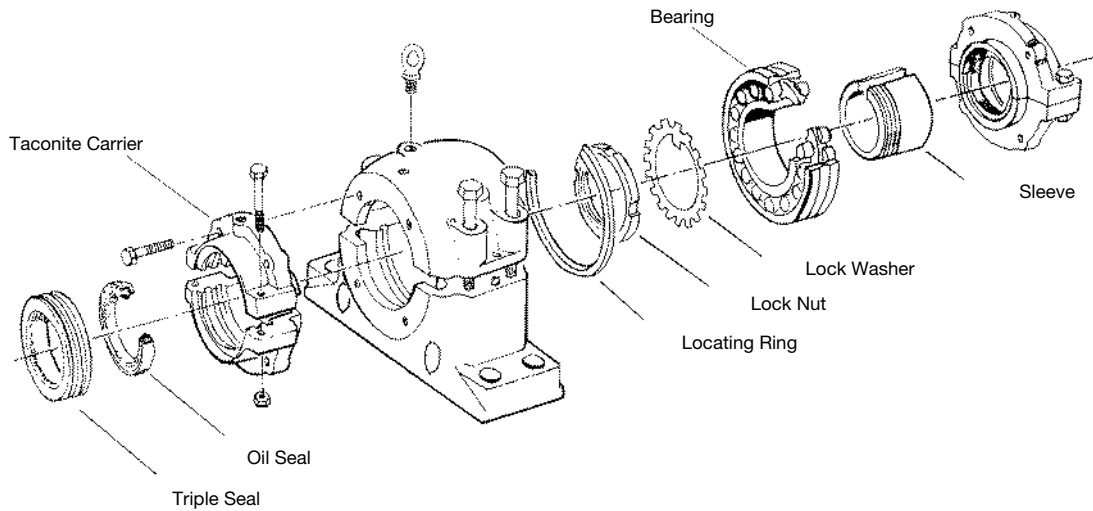
EP for SD & SAF048K-076K types



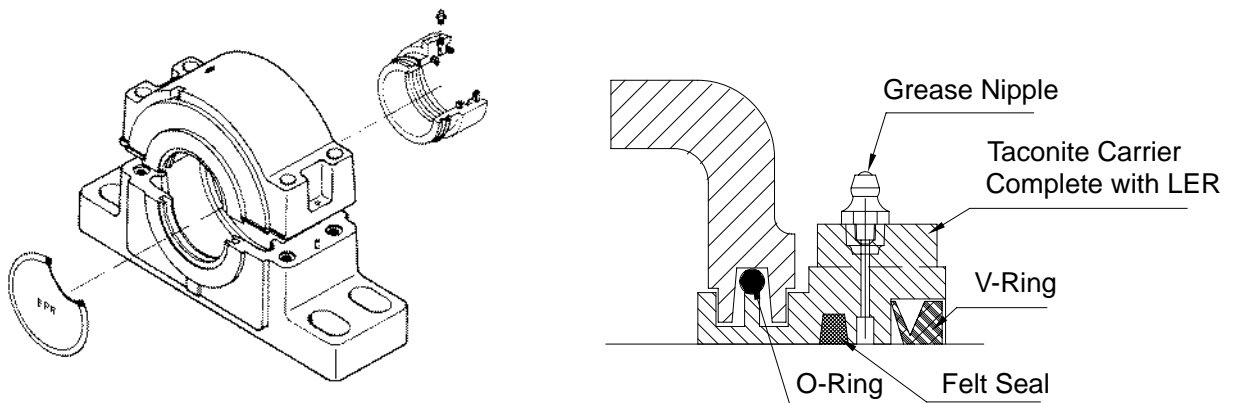
"ETS" for SNK3100 / 3000 types

For housings mounted at the ends of the shafts, the opening must be fitted with an end cover to prevent the entry of contaminants into the bearing.

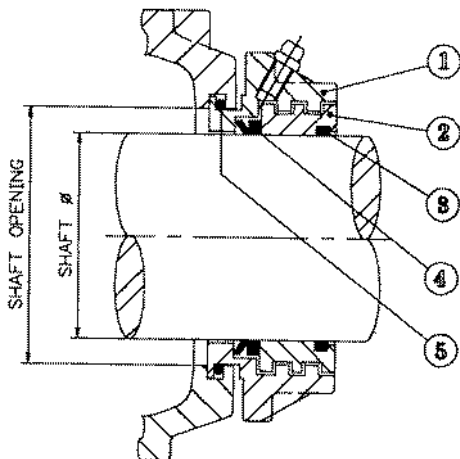
I. Taconite seal for SSN/SD Housings (TAC)



II. Inserted Type-Exclusively for SAF/SDAF Types (TER)

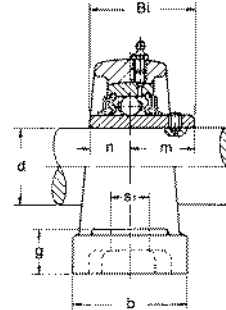
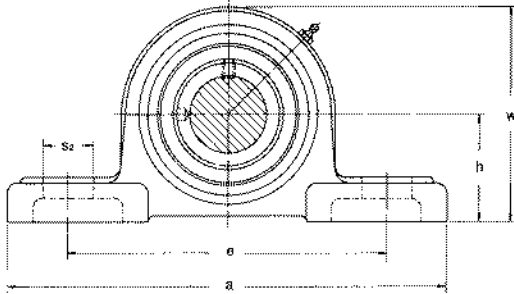


III. TACK - Kits 500 Series To Suit All SNK, SNN And SNH Type Housings.



| | |
|---|----------------------|
| 1 | Split Carrier |
| 2 | Triple Seal |
| 3 | "O" Ring |
| 4 | "V" Ring |
| 5 | "O" Ring |

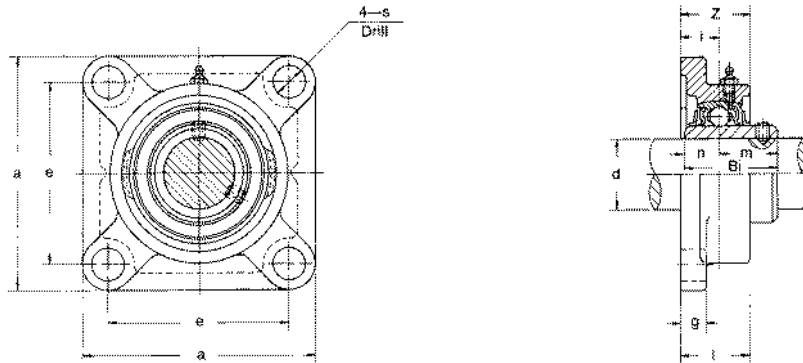
Set Screw Type - Normal Duty



| Unit No. | Shaft Dia | | Dimensions (in.) | | | | | | | | | | | Bolt Used | | Bearing No. | Housing No. | Weight | | | |
|------------|-----------|------|------------------|---------|---------|-------|----------------|----------------|-------|---------|--------|--------|--------|-----------|-------|-------------|-------------|--------|------|-------|--|
| | d | | (mm) | | | | | | | | | | | (mm) | (in.) | | | kg | lbs | | |
| | (in.) | (mm) | h | a | e | b | s ₂ | s ₁ | g | w | Bi | n | m | | | | | | | | |
| UCP 201 | | 12 | | | | | | | | | | | | | | | UC 201 | | | | |
| 201-8 | 1/2 | | 1-3/16 | 5 | 3-3/4 | 1-1/2 | 3/4 | 1/2 | 15/32 | 2-3/8 | 1.2205 | 0.5000 | 0.7205 | | | | 201-8 | | | | |
| 202 | | 15 | 30.2 | 127 | 95 | 38 | 19 | 13 | 12 | 60 | 31.0 | 12.7 | 18.3 | 10 | 3/8 | | 202 | P 203 | 0.65 | 1.43 | |
| 202-10 | 5/8 | | | | | | | | | | | | | | | | 202-10 | | | | |
| 203 | | 17 | | | | | | | | | | | | | | | 203 | | | | |
| UCP 204-12 | 3/4 | | 1-5/16 | 5 | 3-3/4 | 1-1/2 | 3/4 | 1/2 | 1/2 | 2-17/32 | 1.2205 | 0.5000 | 0.7205 | | | | UC 204-12 | | | | |
| 204 | | 20 | 33.3 | 127 | 95 | 38 | 19 | 13 | 13 | 63 | 31.0 | 12.7 | 18.3 | 10 | 3/8 | | 204 | P 204 | 0.65 | 1.43 | |
| UCP 205-14 | 7/8 | | | | | | | | | | | | | | | | UC 205-14 | | | | |
| 205-15 | 15/16 | | 1-7/16 | 5-1/2 | 4-1/8 | 1-1/2 | 3/4 | 1/2 | 1/2 | 2-25/31 | 1.3386 | 0.5630 | 0.7756 | | | | 205-15 | | | | |
| 205 | | 25 | 36.5 | 140 | 105 | 38 | 19 | 13 | 13 | 70 | 34.0 | 14.3 | 19.7 | 10 | 3/8 | | 205 | P 205 | 0.79 | 1.74 | |
| 205-16 | 1 | | | | | | | | | | | | | | | | 205-16 | | | | |
| UCP 206-18 | 1-1/8 | | 1-11/16 | 6-1/2 | 4-3/4 | 1-7/8 | 13/16 | 21/32 | 19/32 | 3-5/16 | 1.5000 | 0.6260 | 0.8740 | | | | UC 206-18 | | | | |
| 206 | | 30 | 42.9 | 165 | 121 | 48 | 21 | 17 | 15 | 83 | 38.1 | 15.9 | 22.2 | 14 | 1/2 | | 206 | P 206 | 1.30 | 2.86 | |
| 206-19 | 1-3/16 | | | | | | | | | | | | | | | | 206-19 | | | | |
| UCP 207-20 | 1-1/4 | | | | | | | | | | | | | | | | UC 207-20 | | | | |
| 207-21 | 1-5/16 | | | | | | | | | | | | | | | | 207-21 | | | | |
| 207-22 | 1-3/8 | | 1-7/8 | 6-9/16 | 5 | 1-7/8 | 13/16 | 21/32 | 5/8 | 3-21/32 | 1.6890 | 0.6890 | 1.000 | 14 | 1/2 | | 207-22 | P 207 | 1.60 | 3.52 | |
| 207 | | 35 | 47.6 | 167 | 127 | 48 | 21 | 17 | 16 | 92 | 42.9 | 17.5 | 25.4 | | | | 207 | | | | |
| 207-23 | 1-7/16 | | | | | | | | | | | | | | | | 207-23 | | | | |
| UCP 208-24 | 1-1/2 | | 1-15/16 | 7-1/4 | 5-13/32 | 2-1/8 | 13/16 | 21/32 | 21/32 | 3-27/32 | 1.9370 | 0.7480 | 1.1890 | | | | UC 208-24 | | | | |
| 208-25 | 1-9/16 | | 49.2 | 184 | 137 | 54 | 21 | 17 | 17 | 98 | 49.2 | 19.0 | 30.2 | 14 | 1/2 | | 208-25 | P 208 | 2.00 | 4.40 | |
| 208 | | 40 | | | | | | | | | | | | | | | 208 | | | | |
| UCP 209-26 | 1-5/8 | | | | | | | | | | | | | | | | UC 209-26 | | | | |
| 209-27 | 1-11/16 | | 2-1/8 | 7-15/32 | 5-3/4 | 2-1/8 | 13/16 | 21/32 | 21/32 | 4-3/16 | 1.9370 | 0.7480 | 1.1890 | | | | 209-27 | | | | |
| 209-28 | 1-3/4 | | 54.0 | 190 | 146 | 54 | 21 | 17 | 17 | 106 | 49.2 | 19.0 | 30.2 | 14 | 1/2 | | 209-28 | P 209 | 2.30 | 5.06 | |
| 209 | | 45 | | | | | | | | | | | | | | | 209 | | | | |
| UCP 210-30 | 1-7/8 | | 2-1/4 | 8-1/8 | 6-1/4 | 2-3/8 | 7/8 | 25/32 | 3/4 | 4-7/16 | 2.0315 | 0.7480 | 1.2835 | | | | UC 210-30 | | | | |
| 210-31 | 1-15/16 | | 57.2 | 206 | 159 | 60 | 22 | 20 | 19 | 112 | 51.6 | 19.0 | 32.6 | 16 | 5/8 | | 210-31 | P 210 | 2.70 | 5.94 | |
| 210 | | 50 | | | | | | | | | | | | | | | 210 | | | | |
| UCP 211-32 | 2 | | | | | | | | | | | | | | | | UC 211-32 | | | | |
| 211-34 | 2-1/8 | | 2-1/2 | 8-5/8 | 6-25/32 | 2-3/8 | 7/8 | 25/32 | 3/4 | 4-29/32 | 2.1890 | 0.8740 | 1.3150 | | | | 211-34 | | | | |
| 211 | | 55 | 63.5 | 219 | 171 | 60 | 22 | 20 | 19 | 125 | 55.6 | 22.2 | 33.4 | 16 | 5/8 | | 211 | P 211 | 3.30 | 7.26 | |
| 211-35 | 2-3/16 | | | | | | | | | | | | | | | | 211-35 | | | | |
| UCP 212-36 | 2-1/4 | | | | | | | | | | | | | | | | UC 212-36 | | | | |
| 212 | | 60 | 2-3/4 | 9-1/2 | 7-1/4 | 2-3/4 | 1 | 25/32 | 7/8 | 5-7/16 | 2.5630 | 1.000 | 1.5630 | | | | 212 | | | | |
| 212-38 | 2-3/8 | | 69.8 | 241 | 184 | 70 | 25 | 20 | 22 | 137 | 65.1 | 25.4 | 39.7 | 16 | 5/8 | | 212-38 | P 212 | 4.70 | 10.32 | |
| 212-39 | 2-7/16 | | | | | | | | | | | | | | | | 212-39 | | | | |
| UCP 213-40 | 2-1/2 | | 3 | 10-7/16 | 8 | 2-3/4 | 1-3/16 | 1 | 1 | 5-29/32 | 2.5630 | 1.0000 | 1.5630 | | | | UC 213-40 | | | | |
| 213 | | 65 | 76.2 | 265 | 203 | 70 | 30 | 25 | 25 | 150 | 65.1 | 25.4 | 39.7 | 20 | 3/4 | | 213 | P 213 | 5.60 | 12.32 | |

Dimensions listed is for reference only

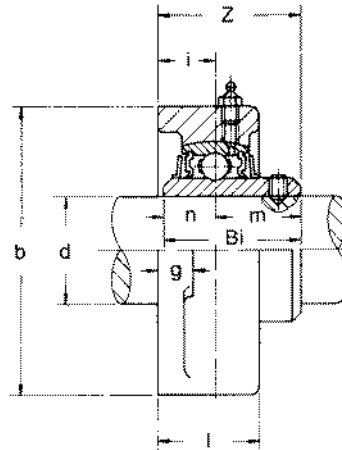
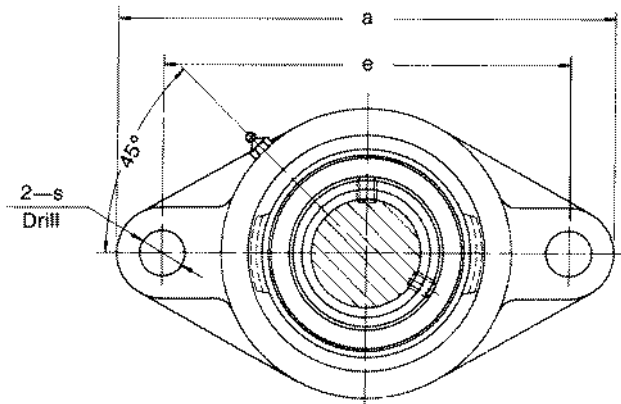
Set Screw Type - Normal Duty



| Unit No. | Shaft Dia. | | Dimensions (in.) (mm) | | | | | | | | | | Bolt Used | | Bearing No. | Housing No. | Weight | | |
|------------|------------|------|--------------------------|---------|--------|-------|---------|-------|---------|--------|--------|--------|------------|-------|-------------|-------------|--------|------|-------|
| | d | | a | e | i | g | l | s | Z | Bi | n | m | (mm) (in.) | | | | kg | lbs | |
| | (in.) | (mm) | | | | | | | | | | | (mm) | (in.) | | | | | |
| UCF 201 | | 12 | | | | | | | | | | | | | | UC 201 | | | |
| 201-8 | 1/2 | 15 | | | | | | | | | | | | | | 201-8 | | | |
| 202 | | | | | | | | | | | | | | | | 202 | | | |
| 202-10 | 5/8 | 17 | 3-3/8 | 2-32/64 | 14/32 | 7/16 | 1 | 15/32 | 1-5/16 | 1.2205 | 0.5000 | 0.7205 | 10 | 3/8 | | 202-10 | F 204 | 0.65 | 1.43 |
| 203 | | | 86 | 64 | 15 | 11 | 25.5 | 12 | 33.3 | 31.0 | 12.7 | 18.3 | | | | 203 | | | |
| 204-12 | 3/4 | 20 | | | | | | | | | | | | | | 204-12 | | | |
| 204 | | | | | | | | | | | | | | | | 204 | | | |
| UCF 205-14 | 7/8 | | | | | | | | | | | | | | | UC 205-14 | | | |
| 205-15 | 15/16 | | 3-3/4 | 2-3/4 | 5/8 | 1/2 | 1-1/16 | 15/32 | 1-13/32 | 1.3386 | 0.5630 | 0.7756 | 10 | 3/8 | | 205-15 | F 205 | 0.90 | 1.98 |
| 205 | | 25 | 95 | 70 | 16 | 13 | 27 | 12 | 35.7 | 34.0 | 14.3 | 19.7 | | | | 205 | | | |
| 205-16 | 1 | | | | | | | | | | | | | | | 205-16 | | | |
| UCF 206-18 | 1-1/8 | | 4-1/4 | 3-17/64 | 45/64 | 1/2 | 1-7/32 | 15/32 | 1-19/32 | 1.5000 | 0.6260 | 0.8740 | 10 | 3/8 | | UC 206-18 | | | |
| 206 | | 30 | 108 | 83 | 18 | 13 | 31 | 12 | 40.2 | 38.1 | 15.9 | 22.2 | | | | 206 | F 206 | 1.25 | 2.75 |
| 206-19 | 1-3/16 | | | | | | | | | | | | | | | 206-19 | | | |
| UCF 207-20 | 1-1/4 | | | | | | | | | | | | | | | UC 207-20 | | | |
| 207-21 | 1-5/16 | | 4-19/32 | 3-5/8 | 3/4 | 19/32 | 1-11/32 | 35/64 | 1-3/4 | 1.6890 | 0.6890 | 1.0000 | 12 | 7/16 | | 207-21 | F 207 | 1.65 | 3.63 |
| 207-22 | 1-3/8 | | 117 | 92 | 19 | 15 | 34 | 14 | 44.4 | 42.9 | 17.5 | 25.4 | | | | 207-22 | | | |
| 207 | | 35 | | | | | | | | | | | | | | 207 | | | |
| 207-23 | 1-7/16 | | | | | | | | | | | | | | | 207-23 | | | |
| UCF 208-24 | 1-1/2 | | 5-1/8 | 4-1/64 | 53/64 | 19/32 | 1-13/32 | 5/8 | 2-1/32 | 1.9370 | 0.7480 | 1.1890 | 14 | 1/2 | | UC 208-24 | | | |
| 208-25 | 1-9/16 | | 130 | 102 | 21 | 15 | 36 | 16 | 51.2 | 49.2 | 19.0 | 30.2 | | | | 208-25 | F 208 | 2.20 | 4.84 |
| 208 | | 40 | | | | | | | | | | | | | | 208 | | | |
| UCF 209-26 | 1-5/8 | | | | | | | | | | | | | | | UC 209-26 | | | |
| 209-27 | 1-11/16 | | 5-13/32 | 4-9/64 | 55/64 | 5/8 | 1-1/2 | 5/8 | 2-1/16 | 1.9370 | 0.7480 | 1.1890 | 14 | 1/2 | | 209-27 | F 209 | 2.50 | 5.50 |
| 209-28 | 1-3/4 | | 137 | 105 | 22 | 16 | 38 | 16 | 52.2 | 49.2 | 19.0 | 30.2 | | | | 209-28 | | | |
| 209 | | 45 | | | | | | | | | | | | | | 209 | | | |
| UCF 210-30 | 1-7/8 | | 5-5/8 | 4-3/8 | 55/64 | 5/8 | 1-9/16 | 5/8 | 2-5/32 | 2.0315 | 0.7480 | 1.2835 | 14 | 1/2 | | UC 210-30 | | | |
| 210-31 | 1-15/16 | | 143 | 111 | 22 | 16 | 40 | 16 | 54.6 | 51.6 | 19.0 | 32.6 | | | | 210-31 | F 210 | 2.75 | 6.05 |
| 210 | | 50 | | | | | | | | | | | | | | 210 | | | |
| UCF 211-32 | 2 | | | | | | | | | | | | | | | UC 211-32 | | | |
| 211-34 | 2-1/8 | | 6-3/8 | 5-1/8 | 63/64 | 23/32 | 1-11/16 | 3/4 | 2-5/16 | 2.1890 | 0.8740 | 1.3150 | 16 | 5/8 | | 211-34 | F 211 | 3.95 | 8.69 |
| 211 | | 55 | 162 | 130 | 25 | 18 | 43 | 19 | 58.4 | 55.6 | 22.2 | 33.4 | | | | 211 | | | |
| 211-35 | 2-3/16 | | | | | | | | | | | | | | | 211-35 | | | |
| UCF 212-36 | 2-1/4 | | | | | | | | | | | | | | | UC 212-36 | | | |
| 212 | | 60 | 6-7/8 | 5-5/8 | 1-9/64 | 23/32 | 1-7/8 | 3/4 | 2-23/32 | 2.5630 | 1.0000 | 1.5630 | 16 | 5/8 | | 212 | F 212 | 5.00 | 11.00 |
| 212-38 | 2-3/8 | | 175 | 143 | 29 | 18 | 48 | 19 | 68.7 | 65.1 | 25.4 | 39.7 | | | | 212-38 | | | |
| 212-39 | 2-7/16 | | | | | | | | | | | | | | | 212-39 | | | |
| UCF 213-40 | 2-1/2 | | 7-3/8 | 5-55/64 | 1-3/16 | 7/8 | 1-31/32 | 3/4 | 2-3/4 | 2.5630 | 1.0000 | 1.5630 | 16 | 5/8 | | UC 213-40 | | | |
| 213 | | 65 | 187 | 149 | 30 | 22 | 50 | 19 | 69.7 | 65.1 | 25.4 | 39.7 | | | | 213 | F 213 | 6.00 | 13.20 |

Dimensions listed is for reference only

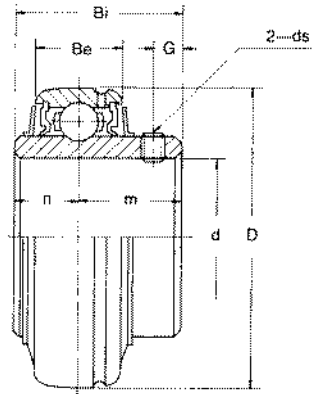
Set Screw Type - Normal Duty



| Unit No. | Shaft Dia. | | Dimensions (in.) (mm) | | | | | | | | | | | Bolt Used | | Bearing No. | Housing No. | Weight | |
|-------------|------------|---------|-----------------------|---------|--------|-------|---------|-------|---------|---------|--------|--------|--------|-----------|-----------|-------------|-------------|--------|--------|
| | d | | a | e | i | g | l | s | b | Z | Bi | n | m | (mm) | (in.) | | | kg | lbs |
| | (in.) | (mm) | | | | | | | | | | | | | | | | | |
| UCFL 201 | 1/2 | 12 | | | | | | | | | | | | | | | | | |
| 201-8 | | 15 | | | | | | | | | | | | | | | | | |
| 202 | 5/8 | 17 | 4-7/16 | 3-35/64 | 19/32 | 7/16 | 1 | 15/32 | 2-3/8 | 1-5/16 | 1.2205 | 0.5000 | 0.7205 | 10 | 3/8 | UC 201 | FL 204 | 0.49 | 1.08 |
| 202-10 | | 113 | | 90 | 15 | 11 | 25.5 | 12 | 60 | 33.3 | 31.0 | 12.7 | 18.3 | | | 202 | | | |
| 203 | 3/4 | 20 | | | | | | | | | | | | | | 203 | | | |
| 204-12 | | | | | | | | | | | | | | | | UC 204-12 | | | |
| 204 | | | | | | | | | | | | | | | | 204 | | | |
| UCFL 205-14 | 7/8 | | | | | | | | | | | | | | | | | | |
| 205-15 | 15/16 | | 5-1/8 | 3-57/64 | 5/8 | 1/2 | 1-1/16 | 5/8 | 2-11/16 | 1-13/32 | 1.3386 | 0.5630 | 0.7756 | 14 | 1/2 | UC 205-14 | FL 205 | 0.65 | 1.43 |
| 205 | 25 | 130 | | 99 | 16 | 13 | 27 | 16 | 68 | 35.7 | 34.0 | 14.3 | 19.7 | | | 205-15 | | | |
| 205-16 | 1 | | | | | | | | | | | | | | | 205 | | | |
| | | | | | | | | | | | | | | | | 205-16 | | | |
| UCFL 206-18 | 1-1/8 | | 5-13/16 | 4-39/64 | 45/64 | 1/2 | 1-7/32 | 5/8 | 3-5/32 | 1-19/32 | 1.5000 | 0.6260 | 0.8740 | 14 | 1/2 | UC 206-18 | FL 206 | 0.98 | 2.16 |
| 206 | 30 | 148 | | 117 | 18 | 13 | 31 | 16 | 80 | 40.2 | 38.1 | 15.9 | 22.2 | | | 206 | | | |
| 206-19 | 1-3/16 | | | | | | | | | | | | | | | 206-19 | | | |
| UCFL 207-20 | 1-1/4 | | | | | | | | | | | | | | | | | | |
| 207-21 | 1-5/16 | | | | | | | | | | | | | | | | | | |
| 207-22 | 1-3/8 | | 6-11/32 | 5-1/8 | 3/4 | 9/16 | 1-11/32 | 5/8 | 3-17/32 | 1-3/4 | 1.6890 | 0.6890 | 1.0000 | 14 | 1/2 | UC 207-20 | FL 207 | 1.25 | 2.75 |
| 207 | 35 | 161 | | 130 | 19 | 14 | 34 | 16 | 90 | 44.4 | 42.9 | 17.5 | 25.4 | | | 207 | | | |
| 207-23 | 1-7/16 | | | | | | | | | | | | | | | 207 | | | |
| | | | | | | | | | | | | | | | | 207-23 | | | |
| UCFL 208-24 | 1-1/2 | | 6-7/8 | 5-43/64 | 53/64 | 9/16 | 1-13/32 | 5/8 | 3-15/16 | 2 | 1.9370 | 0.7480 | 1.1890 | 14 | 1/2 | UC 208-24 | FL 208 | 1.65 | 3.63 |
| 208-25 | 1-9/16 | | 175 | 144 | 21 | 14 | 36 | 16 | 100 | 512 | 49.2 | 19.0 | 30.2 | | | 208-25 | | | |
| 208 | 40 | | | | | | | | | | | | | | | 208 | | | |
| UCFL 209-26 | 1-5/8 | | | | | | | | | | | | | | | | | | |
| 209-27 | 1-11/16 | | 7-13/32 | 5-53/64 | 55/64 | 19/32 | 1-1/2 | 3/4 | 4-1/14 | 2-1/16 | 1.9370 | 0.7480 | 1.1890 | 14 | 5/8 | UC 209-26 | FL 209 | 1.95 | 4.29 |
| 209-28 | | 1-3/4 | 188 | 148 | 22 | 15 | 38 | 19 | 108 | 52.2 | 49.2 | 19.0 | 30.2 | | | 209-27 | | | |
| 209 | 45 | | | | | | | | | | | | | | | 209-28 | | | |
| | | | | | | | | | | | | | | | | 209 | | | |
| UCFL 210-30 | 1-7/8 | | 7-3/4 | 6-3/16 | 55/64 | 19/32 | 1-9/16 | 3/4 | 4-17/32 | 2-5/32 | 2.0315 | 0.7480 | 1.2835 | 16 | 5/8 | UC 210-30 | FL 210 | 2.25 | 4.95 |
| 210-31 | 1-15/16 | | 197 | 157 | 22 | 15 | 40 | 19 | 115 | 54.6 | 51.6 | 19.0 | 32.6 | | | 210-31 | | | |
| 210 | 50 | | | | | | | | | | | | | | | 210 | | | |
| UCFL 211-32 | 2 | | | | | | | | | | | | | | | | | | |
| 211-34 | 2-1/8 | | 8-13/16 | 7-1/4 | 63/64 | 23/32 | 1-11/16 | 3/4 | 5-1/8 | 2-5/16 | 2.1890 | 0.8740 | 1.3150 | 16 | 5/8 | UC 211-32 | FL 211 | 3.30 | 7.26 |
| 211 | 55 | 224 | | 184 | 25 | 18 | 43 | 19 | 130 | 58.4 | 55.6 | 22.2 | 33.4 | | | 211-34 | | | |
| 211-35 | 2-3/16 | | | | | | | | | | | | | | | 211 | | | |
| | | | | | | | | | | | | | | | | 211-35 | | | |
| UCFL 212-36 | 2-1/4 | | | | | | | | | | | | | | | | | | |
| 212 | 60 | 9-27/32 | 7-61/64 | 1-9/64 | 23/32 | 1-7/8 | 29/32 | 5-1/2 | 2-23/32 | 2.5630 | 1.0000 | 1.5630 | 20 | 3/4 | UC 212-36 | FL 212 | 4.30 | 9.46 | |
| 212-38 | 2-3/8 | 250 | 202 | 29 | 18 | 48 | 23 | 140 | 68.7 | 65.1 | 25.4 | 39.7 | | | 212 | | | | |
| 212-39 | 2-7/16 | | | | | | | | | | | | | | | | | | 212-38 |
| | | | | | | | | | | | | | | | | | | | 212-39 |
| UCFL 213-40 | 2-1/2 | | 10-5/32 | 8-17/64 | 1-3/16 | 25/32 | 1-31/32 | 29/32 | 6-3/32 | 2-3/4 | 2.5630 | 1.0000 | 1.5630 | 20 | 3/4 | UC 213-40 | FL 213 | 5.20 | 11.44 |
| 213 | 65 | 258 | 210 | 30 | 20 | 50 | 23 | 155 | 69.7 | 65.1 | 25.4 | 39.7 | | | 213 | | | | |

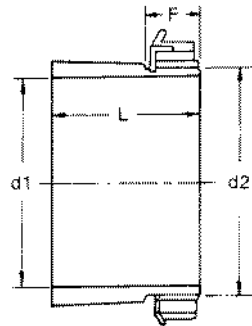
Dimensions listed is for reference only

Set Screw Type



| Bearing No. | Bore Dia. of Bearing | | Dimensions (in.) (mm) | | | | | | | Basic Load Rating lbs/kg | Basic Static Load Rating lbs/kg | Weight | |
|-------------|----------------------|------|-----------------------|--------|--------|--------|--------|--------|---------|--------------------------|---------------------------------|---------|------|
| | d | | D | B_i | B_e | n | m | G | ds | | | kg | lbs |
| | (in.) | (mm) | | | | | | | | | | | |
| UC 201 | 1/2 | 12 | 1.8504 | 1.2205 | 0.6299 | 0.5000 | 0.7205 | 0.1969 | 1/4-28 | 2230 | 1390 | 0.21 | 0.46 |
| 201-8 | | 15 | | | | | | | | | | 0.19 | 0.42 |
| 202 | 5/8 | 15 | 47 | 31.0 | 16 | 12.7 | 18.3 | 5 | 6 x 1 | 1010 | 630 | 0.19 | 0.42 |
| 202-10 | | 17 | | | | | | | | | | 0.18 | 0.40 |
| 203 | 3/4 | 17 | 47 | 31.0 | 16 | 12.7 | 18.3 | 5 | 6 x 1 | 1010 | 630 | 0.16 | 0.35 |
| 204-12 | | 20 | | | | | | | | | | 0.16 | 0.35 |
| 204 | 7-8 | 25 | 2.0472 | 1.3368 | 0.6693 | 0.5630 | 0.7756 | 0.2165 | 1/4-28 | 2420 | 1560 | 0.23 | 0.51 |
| UC 205-14 | | | | | | | | | | | | 15/16 | 52 |
| 205 | 1 | 25 | 52 | 34.0 | 17 | 14.3 | 19.7 | 5.5 | 6x1 | 1100 | 710 | 0.20 | 0.44 |
| 205-16 | | | | | | | | | | | | 1 | 0.20 |
| UC 206-18 | 1-1/18 | 30 | 2.4409 | 1.5000 | 0.7480 | 0.6260 | 0.8740 | 0.2362 | 5/16-24 | 3370 | 2250 | 0.34 | 0.75 |
| 206 | 30 | | | | | | | | | | | 62 | 38.1 |
| 206-19 | 1-3/16 | 35 | 2.8346 | 1.6890 | 0.7874 | 0.6890 | 1.0000 | 0.2559 | 5/16-24 | 4444 | 3060 | 0.32 | 0.70 |
| UC 207-20 | 1-1/4 | | | | | | | | | | | 72 | 42.9 |
| 207-21 | 1-5/16 | 35 | 72 | 42.9 | 20 | 17.5 | 25.4 | 6.5 | 8x1 | 4444 | 3060 | 0.48 | 1.06 |
| 207-22 | 1-3/8 | | | | | | | | | | | 0.48 | 1.06 |
| 207 | 1-7/16 | 40 | 3.1496 | 1.9370 | 0.8268 | 0.7480 | 1.1890 | 0.3150 | 5/16-24 | 5020 | 3500 | 0.48 | 1.06 |
| 207-23 | | | | | | | | | | | | 1-7/16 | 0.45 |
| UC 208-24 | 1-1/2 | 40 | 80 | 49.2 | 21 | 19.0 | 30.2 | 8 | 8x1 | 5020 | 3500 | 0.68 | 1.50 |
| 208-25 | 1-9/16 | | | | | | | | | | | 80 | 49.2 |
| 208 | 1-5/8 | 45 | 85 | 49.2 | 22 | 19.0 | 30.2 | 8 | 8x1 | 5630 | 3980 | 0.64 | 1.41 |
| UC 209-26 | | | | | | | | | | | | 1-11/16 | 85 |
| 209-27 | 1-3/4 | 50 | 3.5433 | 2.0315 | 0.9449 | 0.7480 | 1.2835 | 0.3543 | 5/16-24 | 6050 | 4444 | 0.74 | 1.63 |
| 209-28 | 1-3/4 | | | | | | | | | | | 90 | 51.6 |
| 209 | 1-7/8 | 55 | 90 | 51.6 | 24 | 19.0 | 32.6 | 9 | 2x1 | 6050 | 4444 | 0.68 | 1.50 |
| UC 210-30 | 1-15/16 | | | | | | | | | | | 90 | 51.6 |
| 210 | 2 | 60 | 3.9370 | 2.1890 | 0.9843 | 0.8740 | 1.3150 | 0.3543 | 3/8-24 | 7490 | 5620 | 0.85 | 1.80 |
| UC 211-32 | | | | | | | | | | | | 2-1/8 | 100 |
| 211-34 | 2-3/16 | 60 | 100 | 55.6 | 25 | 22.2 | 33.4 | 9 | 10x1.25 | 7490 | 5620 | 1.26 | 2.77 |
| 211 | | | | | | | | | | | | 55 | 100 |
| 211-35 | 2-3/16 | 60 | 110 | 65.1 | 27 | 25.4 | 39.7 | 10.5 | 3/8-24 | 9040 | 6940 | 1.11 | 2.44 |
| UC 212-36 | 2-1/4 | | | | | | | | | | | 110 | 65.1 |
| 212 | 2-3/8 | 65 | 4.7244 | 2.5630 | 1.1024 | 1.0000 | 1.5630 | 0.4724 | 3/8-24 | 9920 | 7590 | 1.67 | 3.67 |
| 212-38 | | | | | | | | | | | | 2-3/8 | 120 |
| 212-39 | 2-7/16 | 65 | 120 | 65.1 | 28 | 25.4 | 39.7 | 12 | 10x1.25 | 9920 | 7590 | 1.52 | 3.34 |
| UC 213-40 | 3-1/2 | | | | | | | | | | | 120 | 65.1 |
| 212 | 3-1/2 | 65 | 120 | 65.1 | 28 | 25.4 | 39.7 | 12 | 10x1.25 | 9920 | 7590 | 1.94 | 4.27 |
| 212 | 3-1/2 | | | | | | | | | | | 120 | 65.1 |

Adapter for SAF 225-226 Series



For SAF 22500 Series

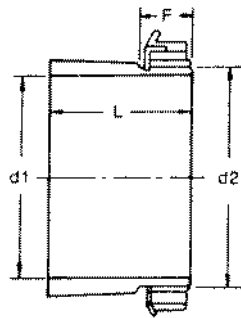
| Bearing Bore No. | Complete Adapter | | Locknut No. | Lockwasher No. | Adapter Sleeve No. | Nominal Sleeve Dimensions Inches | | | | |
|------------------|------------------|-------------|-------------|----------------|--------------------|----------------------------------|-------|-------|--------------------------|------------------|
| | Designation | Weight lbs. | | | | Shaft (Bore) Diameter d1 | L | F | Thread Pitch Diameter d2 | Threads Per Inch |
| 09 | SNW 09 | 0.6 | N 09 | W 09 | S 09 | 1-7/16 | 1.584 | .662 | 1.7277 | 18 |
| 10 | SNW 10 | 0.7 | N 10 | W 10 | S 10 | 1-11/16 | 1.765 | .724 | 1.9277 | 18 |
| 11 | SNW 11 | 0.8 | N 11 | W 11 | S 11 | 1-15/16 | 1.845 | .729 | 2.1174 | 18 |
| 13 | SNW 13 | 1.3 | N 13 | W 13 | S 13 | 2-3/16 | 2.100 | .792 | 2.5084 | 18 |
| 15 | SNW 15 | 2.2 | AN 15 | W 15 | S 15 | 2-7/16 | 2.296 | .895 | 2.8752 | 12 |
| 16 | SNW 16 | 2.4 | AN 16 | W 16 | S 16 | 2-11/16 | 2.376 | .895 | 3.0790 | 12 |
| 17 | SNW 17 | 2.9 | AN 17 | W 17 | S 17 | 2-15/16 | 2.486 | .926 | 3.2812 | 12 |
| 18 | SNW 18 | 3.0 | AN 18 | W 18 | S 18 | 3-3/16 | 2.646 | 1.010 | 3.4682 | 12 |
| 20 | SNW 20 | 4.3 | AN 20 | W 20 | S 20 | 3-7/16 | 2.869 | 1.073 | 3.8592 | 12 |
| 22 | SNW 22 | 5.0 | AN 22 | W 22 | S 22 | 3-15/16 | 3.206 | 1.135 | 4.2648 | 12 |
| 24 | SNW 24 | 6.6 | AN 24 | W 24 | S 24 | 4-3/16 | 3.466 | 1.166 | 4.6558 | 12 |
| 26 | SNW 26 | 9.7 | AN 26 | W 26 | S 26 | 4-7/16 | 3.762 | 1.229 | 5.0458 | 12 |
| 28 | SNW 28 | 10.3 | AN 28 | W 28 | S 28 | 4-15/16 | 3.981 | 1.291 | 5.4368 | 12 |
| 30 | SNW 30 | 15.8 | AN 30 | W 30 | S 30 | 5-3/16 | 4.241 | 1.354 | 5.8273 | 12 |
| 32 | SNW 32 | 15.6 | AN 32 | W 32 | S 32 | 5-7/16 | 4.578 | 1.510 | 6.1953 | 8 |
| 34 | SNW 34 | 19.4 | AN 34 | W 34 | S 34 | 5-15/16 | 4.847 | 1.541 | 6.5703 | 8 |
| 36 | SNW 36 | 20.5 | AN 36 | W 36 | S 36 | 6-7/16 | 5.038 | 1.573 | 6.9773 | 8 |
| 38 | SNW 38 | 23.4 | AN 38 | W 38 | S 38 | 6-15/16 | 5.261 | 1.604 | 7.3833 | 8 |
| 40 | SNW 40 | 30.7 | AN 40 | W 40 | S 40 | 7-3/16 | 5.484 | 1.666 | 7.7521 | 8 |
| 44 | SNW 44 | 32.3 | N 44 | W 44 | S 44 | 7-15/16 | 5.901 | 1.698 | 8.5378 | 8 |

For SAF 22600 Series

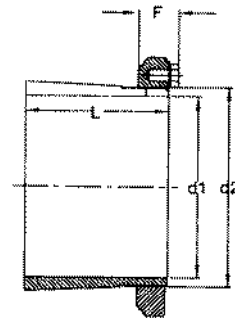
| Bearing Bore No. | Complete Adapter | | Locknut No. | Lockwasher No. | Adapter Sleeve No. | Nominal Sleeve Dimensions Inches | | | | |
|------------------|------------------|-------------|-------------|----------------|--------------------|----------------------------------|-------|-------|--------------------------|------------------|
| | Designation | Weight lbs. | | | | Shaft (Bore) Diameter d1 | L | F | Thread Pitch Diameter d2 | Threads Per Inch |
| 09 | SNW 109 | 0.7 | N 09 | W 09 | S 109 | 1-7/16 | 2.133 | .662 | 1.7277 | 18 |
| 10 | SNW 110 | 0.8 | N 10 | W 10 | S 110 | 1-11/16 | 2.394 | .724 | 1.9277 | 18 |
| 11 | SNW 111 | 0.9 | N 11 | W 11 | S 111 | 1-15/16 | 2.516 | .729 | 2.1174 | 18 |
| 13 | SNW 113 | 1.7 | N 13 | W 13 | S 113 | 2-3/16 | 2.771 | .792 | 2.5084 | 18 |
| 15 | SNW 115 | 2.9 | AN 15 | W 15 | S 115 | 2-7/16 | 3.084 | .895 | 2.8752 | 12 |
| 16 | SNW 116 | 3.1 | AN 16 | W 16 | S 116 | 2-11/16 | 3.204 | .895 | 3.0790 | 12 |
| 17 | SNW 117 | 3.4 | AN 17 | W 17 | S 117 | 2-15/16 | 3.312 | .926 | 3.2812 | 12 |
| 18 | SNW 118 | 3.9 | AN 18 | W 18 | S 118 | 3-3/16 | 3.553 | 1.010 | 3.4682 | 12 |
| 20 | SNW 120 | 6.2 | AN 20 | W 20 | S 120 | 3-7/16 | 3.971 | 1.073 | 3.8592 | 12 |
| 22 | SNW 122 | 6.4 | AN 22 | W 22 | S 122 | 3-15/16 | 4.348 | 1.135 | 4.2648 | 12 |
| 24 | SNW 124 | 7.8 | AN 24 | W 24 | S 124 | 4-3/16 | 4.648 | 1.166 | 4.6558 | 12 |
| 26 | SNW 126 | 12.4 | AN 26 | W 26 | S 126 | 4-7/16 | 4.982 | 1.229 | 5.0458 | 12 |
| 28 | SNW 128 | 13.0 | AN 28 | W 28 | S 128 | 4-15/16 | 5.323 | 1.291 | 5.4368 | 12 |
| 30 | SNW 130 | 18.0 | AN 30 | W 30 | S 130 | 5-3/16 | 5.621 | 1.354 | 5.8278 | 12 |
| 32 | SNW 132 | 18.1 | AN 32 | W 32 | S 132 | 5-7/16 | 5.920 | 1.510 | 6.1953 | 8 |
| 34 | SNW 134 | 21.0 | AN 34 | W 34 | S 134 | 5-15/16 | 6.188 | 1.541 | 6.5703 | 8 |
| 36 | SNW 136 | 22.4 | AN 36 | W 36 | S 136 | 6-7/16 | 6.456 | 1.573 | 6.9773 | 8 |
| 38 | SNW 138 | 28.1 | AN 38 | W 38 | S 138 | 6-15/16 | 6.758 | 1.604 | 7.3833 | 8 |
| 40 | SNW 140 | 35.7 | AN 40 | W 40 | S 140 | 7-3/16 | 7.095 | 1.666 | 7.7521 | 8 |

• Other shaft sizes are also available.

Series: SNW3000



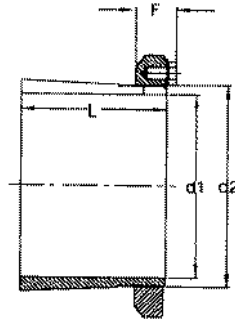
Series: SNP3000



| Bearing Bore No. | Complete Adapter | | Locknut No. | Lockwasher No. | Adapter Sleeve No. | Nominal Sleeve Dimensions inches | | | | |
|------------------|------------------|-------------|-------------|----------------|--------------------|----------------------------------|-------|-------|--------------------------|------------------|
| | Designation | Weight lbs. | | | | Shaft (Bore) Diameter d1 | L | F | Thread Pitch Diameter d2 | Threads Per inch |
| 24 | SNW 3024 | 6.1 | AN 024 | W 024 | S 3024 | 4-3/16 | 2.947 | 1.250 | 4.6538 | 12 |
| 26 | SNW 3026 | 7.5 | AN 026 | W 026 | S 3026 | 4-7/16 | 3.237 | 1.313 | 5.0458 | 12 |
| 28 | SNW 3028 | 8.4 | AN 028 | W 028 | S 3028 | 4-15/16 | 3.340 | 1.375 | 5.4368 | 12 |
| 30 | SNW 3030 | 9.7 | AN 030 | W 030 | S 3030 | 5-3/16 | 3.492 | 1.406 | 5.8278 | 12 |
| 32 | SNW 3032 | 11.8 | AN 032 | W 032 | S 3032 | 5-7/16 | 3.711 | 1.468 | 6.1953 | 8 |
| 34 | SNW 3034 | 13.3 | AN 034 | W 034 | S 3034 | 5-15/16 | 4.019 | 1.500 | 6.5703 | 8 |
| 36 | SNW 3036 | 15.2 | AN 036 | W 036 | S 3036 | 6-7/16 | 4.337 | 1.531 | 6.9773 | 8 |
| 38 | SNW 3038 | 16.7 | AN 038 | W 038 | S 3038 | 6-15/16 | 4.412 | 1.594 | 7.3833 | 8 |
| 40 | SNW 3040 | 19.7 | AN 040 | W 040 | S 3040 | 7-3/16 | 4.750 | 1.656 | 7.7571 | 8 |
| 44 | SNW 3044 | 24.4 | N 044 | W 044 | S 3044 | 7-15/16 | 5.130 | 1.750 | 8.5378 | 8 |
| 48 | SNP 3048 | 32.2 | N 048 | P 48 | S 3048 | 8-15/16 | 5.432 | 1.968 | 9.3245 | 6 |
| 52 | SNP 3052 | 41.1 | N 052 | P 52 | S 3052 | 9-7/16 | 6.019 | 2.125 | 10.0742 | 6 |
| 56 | SNP 3056 | 45.4 | N 056 | P 56 | S 3056 | 10-7/16 | 6.191 | 2.215 | 10.8852 | 6 |
| 60 | SNP 3060 | 58.9 | N 060 | P 60 | S 3060 | 10-15/16 | 6.727 | 2.281 | 11.6662 | 6 |
| 64 | SNP 3064 | 65.7 | N 064 | P 64 | S 3064 | 11-15/16 | 6.946 | 2.375 | 12.4439 | 6 |
| 68 | SNP 3068 | 77.8 | N 068 | P 68 | S 3068 | 12-7/16 | 7.543 | 2.531 | 13.191 | 5 |
| 72 | SNP 3072 | 86.2 | N 072 | P 72 | S 3072 | 13-7/16 | 7.579 | 2.531 | 14.022 | 5 |
| 76 | SNP 3076 | 94.3 | N 076 | P 76 | S 3076 | 13-15/16 | 7.743 | 2.656 | 14.809 | 5 |
| 80 | SNP 3080 | 105.0 | N 080 | P 80 | S 3080 | 15 | 8.411 | 2.813 | 15.597 | 5 |
| 84 | SNP 3084 | 114.2 | N 084 | P 84 | S 3084 | 15-3/14 | 8.498 | 2.813 | 16.384 | 5 |

• Other shaft sizes are also available.

Series: SNP3100 & SNP3200



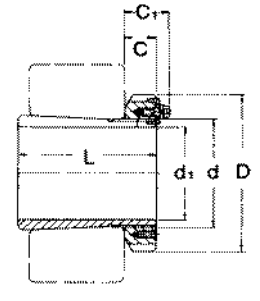
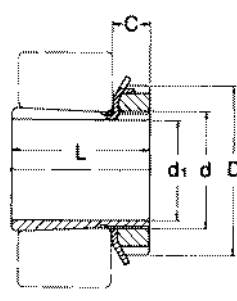
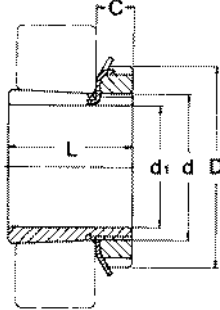
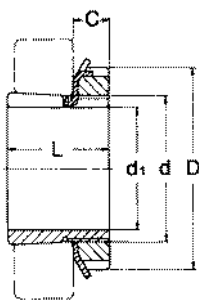
| Designations Adapter Sleeve With Nut And Locking Device | Lock nut | Locking device | Dimensions | | | | Weight kg |
|---|----------|----------------|------------|----------|----------|---------------------|--------------|
| | | | L mm | d2 mm | d1 | Threads Per Inch | |
| SNP 3148x8.15/16 | N 048 | PL 48 | 168.60 | 239.82 | 8.15/16 | 6 | 17 |
| SNP 3152x9.7/16 | N 052 | PL 52 | 192.86 | 258.87 | 9.7/16 | 6 | 20 |
| SNP 3152x9.1/2 | N 052 | PL 52 | 192.86 | 258.87 | 9.1/2 | 6 | 20 |
| SNP 3156x10 | N 056 | PL 56 | 197.25 | 279.50 | 10 | 6 | 21 |
| SNP 3156x10.7/16 | N 056 | PL 56 | 197.25 | 279.50 | 10.7/16 | 6 | 21 |
| SNP 3160x10.15/16 | N 060 | PL 60 | 212.85 | 299.33 | 10.15/16 | 6 | 27 |
| SNP 3164x11.15/16 | N 064 | PL 64 | 231.41 | 316.07 | 11.15/16 | 6 | 45.4 |
| SNP 3164x12 | N 064 | PL 64 | 231.41 | 319.07 | 12 | 6 | 45.4 |
| SNP 3168x12.7/16 | N 068 | PL 68 | 248.59 | 335.05 | 12.7/16 | 5 | 55.8 |
| SNP 3172x13.7/16 | N 072 | PL 72 | 250.49 | 356.15 | 13.7/16 | 5 | 68 |
| SNP 3176x13.15/16 | N 076 | PL 76 | 255.67 | 376.14 | 13.15/16 | 5 | 75.3 |
| SNP 3180x14.15/16 | N 080 | PL 80 | 265.65 | 396.16 | 14.15/16 | 5 | 84.4 |
| SNP 3184x15.3/4 | N 084 | PL 84 | 289.86 | 416.15 | 15.3/4 | 5 | 88 |
| SNP 3188x16.1/2 | N 088 | PL 88 | 300.15 | 438.98 | 16.1/2 | 5 | 98.7 |
| SNP 3192x17 | N 092 | PL 92 | 314.14 | 459.00 | 17 | 5 | 126 |
| SNP 3196x18 | N 096 | PL 96 | 322.93 | 478.99 | 18 | 5 | 124 |

| Designations Adapter Sleeve With Nut And Locking Device | Lock nut | Locking device | Dimensions | | | | Weight kg |
|---|----------|----------------|------------|----------|----------|---------------------|--------------|
| | | | L mm | d2 mm | d1 | Threads Per Inch | |
| SNP 3256x10.7/16 | N 056 | PL 56 | 227.25 | 279.50 | 10.7/16 | 6 | 26.8 |
| SNP 3260x10.15/16 | N 060 | PL 60 | 244.85 | 299.33 | 10.15/16 | 6 | 31 |
| SNP 3260x11 | N 060 | PL 60 | 244.85 | 299.33 | 11 | 6 | 31 |
| SNP 3264x11.15/16 | N 064 | PL 64 | 263.42 | 319.07 | 11.15/16 | 6 | 44.5 |
| SNP 3268x12.7/16 | N 068 | PL 68 | 282.6 | 335.05 | 12.7/16 | 5 | 61 |
| SNP 3272x13.7/16 | N 072 | PL 72 | 290.5 | 356.15 | 13.7/16 | 5 | 74.8 |
| SNP 3276x13.15/16 | N 076 | PL 76 | 301.67 | 376.14 | 13.15/16 | 5 | 84.4 |
| SNP 3280x15 | N 080 | PL 80 | 321.66 | 396.16 | 15 | 5 | 95.7 |
| SNP 3284x15.3/4 | N 084 | PL 84 | 337.87 | 416.15 | 15.3/4 | 5 | 97.1 |
| SNP 3288x16.1/2 | N 088 | PL 88 | 354.15 | 438.98 | 16.1/2 | 5 | 116 |

Series: H2 (HE, HS, HA)

H3 (HE, HS, HA)

Series:H23 (HE, HS, HA)



$d1 \leq 180\text{mm}$

$d1 > 180\text{mm}$

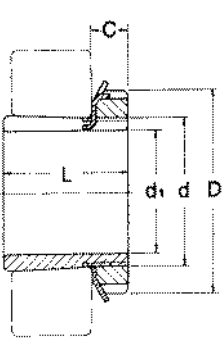
mm

| No. | d | d1 | L | D | C | AN/KM AW/MB | Weight (kg) |
|-------|-----|-----|----|-----|----|----------------|----------------|
| H 204 | 20 | 17 | 24 | 32 | 7 | 4 | 0.041 |
| H 205 | 25 | 20 | 26 | 38 | 8 | 5 | 0.070 |
| H 206 | 30 | 25 | 27 | 45 | 8 | 6 | 0.099 |
| H 207 | 35 | 30 | 29 | 52 | 9 | 7 | 0.125 |
| H 208 | 40 | 35 | 31 | 58 | 10 | 8 | 0.174 |
| H 209 | 45 | 40 | 33 | 65 | 11 | 9 | 0.227 |
| H 210 | 50 | 45 | 35 | 70 | 12 | 10 | 0.274 |
| H 211 | 55 | 50 | 37 | 75 | 12 | 11 | 0.308 |
| H 212 | 60 | 55 | 38 | 80 | 13 | 12 | 0.346 |
| H 213 | 65 | 60 | 40 | 85 | 14 | 13 | 0.401 |
| H 214 | 70 | 60 | 41 | 92 | 14 | 14 | 0.593 |
| H 215 | 75 | 65 | 43 | 98 | 15 | 15 | 0.707 |
| H 216 | 80 | 70 | 46 | 105 | 17 | 16 | 0.882 |
| H 217 | 85 | 75 | 50 | 110 | 18 | 17 | 1.02 |
| H 218 | 90 | 80 | 52 | 120 | 18 | 18 | 1.19 |
| H 219 | 95 | 85 | 55 | 125 | 19 | 19 | 1.37 |
| H 220 | 100 | 90 | 58 | 130 | 20 | 20 | 1.49 |
| H 221 | 105 | 95 | 60 | 140 | 20 | 21 | 1.72 |
| H 222 | 110 | 100 | 63 | 145 | 21 | 22 | 1.93 |
| H 304 | 20 | 17 | 28 | 32 | 7 | 4 | 0.045 |
| H 305 | 25 | 20 | 29 | 38 | 8 | 5 | 0.075 |
| H 306 | 30 | 25 | 31 | 45 | 8 | 6 | 0.109 |
| H 307 | 35 | 30 | 35 | 52 | 9 | 7 | 0.142 |
| H 308 | 40 | 35 | 36 | 58 | 10 | 8 | 0.189 |
| H 309 | 45 | 40 | 39 | 65 | 11 | 9 | 0.248 |
| H 310 | 50 | 45 | 42 | 70 | 12 | 10 | 0.303 |
| H 311 | 55 | 50 | 45 | 75 | 12 | 11 | 0.345 |
| H 312 | 60 | 55 | 47 | 80 | 13 | 12 | 0.394 |
| H 313 | 65 | 60 | 50 | 85 | 14 | 13 | 0.458 |
| H 314 | 70 | 60 | 52 | 92 | 14 | 14 | 0.723 |
| H 315 | 75 | 65 | 55 | 98 | 15 | 15 | 0.831 |
| H 316 | 80 | 70 | 59 | 105 | 17 | 16 | 1.03 |
| H 317 | 85 | 75 | 63 | 110 | 18 | 17 | 1.18 |
| H 318 | 90 | 80 | 65 | 120 | 18 | 18 | 1.37 |
| H 319 | 95 | 85 | 68 | 125 | 19 | 19 | 1.56 |

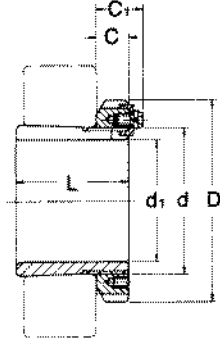
| No. | d | d1 | L | D | C | C1 | AN/KM AW/MB | Weight (kg) |
|--------|-----|-----|-----|-----|----|----|----------------|----------------|
| H 320 | 100 | 90 | 71 | 130 | 20 | - | 20 | 1.69 |
| H 321 | 105 | 95 | 74 | 140 | 20 | - | 21 | 1.95 |
| H 322 | 110 | 100 | 77 | 145 | 21 | - | 22 | 2.18 |
| H 2304 | 20 | 17 | 31 | 32 | 7 | - | 4 | 0.049 |
| H 2305 | 25 | 20 | 35 | 38 | 8 | - | 5 | 0.087 |
| H 2306 | 30 | 25 | 38 | 45 | 8 | - | 6 | 0.126 |
| H 2307 | 35 | 30 | 43 | 52 | 9 | - | 7 | 0.165 |
| H 2308 | 40 | 35 | 46 | 58 | 10 | - | 8 | 0.224 |
| H 2309 | 45 | 40 | 50 | 65 | 11 | - | 9 | 0.280 |
| H 2310 | 50 | 45 | 55 | 70 | 12 | - | 10 | 0.362 |
| H 2311 | 55 | 50 | 59 | 75 | 12 | - | 11 | 0.420 |
| H 2312 | 60 | 55 | 62 | 80 | 13 | - | 12 | 0.481 |
| H 2313 | 65 | 60 | 65 | 85 | 14 | - | 13 | 0.557 |
| H 2314 | 70 | 60 | 68 | 92 | 14 | - | 14 | 0.897 |
| H 2315 | 75 | 65 | 73 | 98 | 15 | - | 15 | 1.05 |
| H 2316 | 80 | 70 | 78 | 105 | 17 | - | 16 | 1.28 |
| H 2317 | 85 | 75 | 82 | 110 | 18 | - | 17 | 1.45 |
| H 2318 | 90 | 80 | 86 | 120 | 18 | - | 18 | 1.69 |
| H 2319 | 95 | 85 | 90 | 125 | 19 | - | 19 | 1.92 |
| H 2320 | 100 | 90 | 97 | 130 | 20 | - | 20 | 2.15 |
| H 2321 | 105 | 95 | 101 | 140 | 20 | - | 21 | 2.46 |
| H 2322 | 110 | 100 | 105 | 145 | 21 | - | 22 | 2.74 |
| H 2324 | 120 | 110 | 112 | 155 | 22 | - | 24 | 3.19 |
| H 2326 | 130 | 115 | 121 | 165 | 23 | - | 26 | 4.60 |
| H 2328 | 140 | 125 | 131 | 180 | 24 | - | 28 | 5.55 |
| H 2330 | 150 | 135 | 139 | 195 | 26 | - | 30 | 6.63 |
| H 2332 | 160 | 140 | 147 | 210 | 28 | - | 32 | 9.14 |
| H 2334 | 170 | 150 | 154 | 220 | 29 | - | 34 | 10.2 |
| H 2336 | 180 | 160 | 161 | 230 | 30 | - | 36 | 11.3 |
| H 2338 | 190 | 170 | 169 | 240 | 31 | - | 38 | 12.6 |
| H 2340 | 200 | 180 | 176 | 250 | 32 | - | 40 | 13.9 |
| H 2344 | 220 | 200 | 186 | 280 | 35 | 44 | 44 | 16.7 |
| H 2348 | 240 | 220 | 199 | 300 | 37 | 46 | 48 | 19.7 |
| H 2352 | 260 | 240 | 211 | 330 | 39 | 49 | 52 | 24.2 |
| H 2356 | 280 | 260 | 224 | 350 | 41 | 51 | 56 | 27.8 |

Series: H30 (HE)

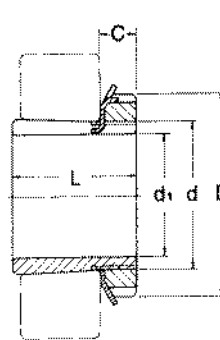
Series: H31 (HE)



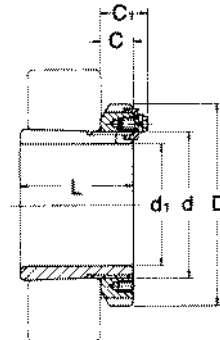
d1 ≤ 180mm



d1 > 180mm



d1 ≤ 180mm



d1 > 180mm

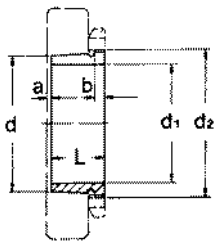
mm

| No. | d | d1 | L | D | C | C1 | Weight (kg) |
|--------|-----|-----|-----|-----|----|----|-------------|
| H 3024 | 120 | 110 | 72 | 145 | 22 | - | 1.93 |
| H 3026 | 130 | 115 | 80 | 155 | 23 | - | 2.85 |
| H 3028 | 140 | 125 | 82 | 165 | 24 | - | 3.16 |
| H 3030 | 150 | 135 | 87 | 180 | 26 | - | 3.89 |
| H 3032 | 160 | 140 | 93 | 190 | 28 | - | 5.21 |
| H 3034 | 170 | 150 | 101 | 200 | 29 | - | 5.99 |
| H 3036 | 180 | 160 | 109 | 210 | 30 | - | 6.83 |
| H 3038 | 190 | 170 | 112 | 220 | 31 | - | 7.45 |
| H 3040 | 200 | 180 | 120 | 240 | 32 | - | 9.19 |
| H 3044 | 220 | 200 | 126 | 260 | 30 | 41 | 10.3 |
| H 3048 | 240 | 220 | 133 | 290 | 34 | 46 | 13.2 |
| H 3052 | 260 | 240 | 145 | 310 | 34 | 46 | 15.3 |
| H 3056 | 280 | 260 | 152 | 330 | 38 | 50 | 17.7 |
| H 3060 | 300 | 280 | 168 | 360 | 42 | 54 | 22.8 |
| H 3064 | 320 | 300 | 171 | 380 | 42 | 55 | 24.6 |
| H 3068 | 340 | 320 | 187 | 400 | 45 | 58 | 28.7 |
| H 3072 | 360 | 340 | 188 | 420 | 45 | 58 | 30.5 |
| H 3076 | 380 | 360 | 193 | 450 | 48 | 62 | 35.8 |
| H 3080 | 400 | 380 | 210 | 470 | 52 | 66 | 41.3 |
| H 3084 | 420 | 400 | 212 | 490 | 52 | 66 | 43.7 |
| H 3088 | 440 | 410 | 228 | 520 | 60 | 77 | 65.2 |
| H 3092 | 460 | 430 | 234 | 540 | 60 | 77 | 69.5 |
| H 3096 | 480 | 450 | 237 | 560 | 60 | 77 | 73.3 |
| H 3120 | 100 | 90 | 76 | 130 | 20 | - | 1.80 |
| H 3122 | 110 | 100 | 81 | 145 | 21 | - | 2.25 |
| H 3124 | 120 | 110 | 88 | 155 | 22 | - | 2.64 |
| H 3126 | 130 | 115 | 92 | 165 | 23 | - | 3.66 |
| H 3128 | 140 | 125 | 97 | 180 | 24 | - | 4.34 |
| H 3130 | 150 | 135 | 111 | 195 | 26 | - | 5.52 |

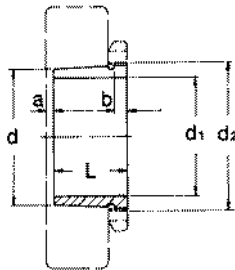
| No. | d | d1 | L | D | C | C1 | Weight (kg) |
|--------|-----|-----|-----|-----|----|----|-------------|
| H 3132 | 160 | 140 | 119 | 210 | 28 | - | 7.67 |
| H 3134 | 170 | 150 | 122 | 220 | 29 | - | 8.38 |
| H 3136 | 180 | 160 | 131 | 230 | 30 | - | 9.5 |
| H 3138 | 190 | 170 | 141 | 240 | 31 | - | 10.8 |
| H 3140 | 200 | 180 | 150 | 250 | 32 | - | 12.1 |
| H 3144 | 220 | 200 | 161 | 280 | 35 | - | 14.7 |
| H 3148 | 240 | 220 | 172 | 300 | 37 | - | 17.3 |
| H 3152 | 260 | 240 | 190 | 330 | 39 | - | 22.0 |
| H 3156 | 280 | 260 | 195 | 350 | 41 | - | 24.5 |
| H 3160 | 300 | 280 | 208 | 380 | 40 | 53 | 30.2 |
| H 3164 | 320 | 300 | 226 | 400 | 42 | 56 | 34.9 |
| H 3168 | 340 | 320 | 254 | 440 | 55 | 72 | 49.5 |
| H 3172 | 360 | 340 | 259 | 460 | 58 | 75 | 54.2 |
| H 3176 | 380 | 360 | 264 | 490 | 60 | 77 | 61.7 |
| H 3180 | 400 | 380 | 272 | 520 | 62 | 82 | 70.6 |
| H 3184 | 420 | 400 | 304 | 540 | 70 | 90 | 84.2 |
| H 3188 | 440 | 410 | 307 | 560 | 70 | 90 | 104 |
| H 3192 | 460 | 430 | 326 | 580 | 75 | 95 | 116 |
| H 3196 | 480 | 450 | 335 | 620 | 75 | 95 | 133 |
| H 3260 | 300 | 280 | 240 | 380 | 40 | 53 | 34.1 |
| H 3264 | 320 | 300 | 258 | 400 | 42 | 56 | 39.3 |
| H 3268 | 340 | 320 | 288 | 440 | 55 | 72 | 54.6 |
| H 3272 | 360 | 340 | 299 | 460 | 58 | 75 | 60.6 |
| H 3276 | 380 | 360 | 310 | 490 | 60 | 77 | 69.6 |
| H 3280 | 400 | 380 | 328 | 520 | 62 | 82 | 81.0 |
| H 3284 | 420 | 400 | 352 | 540 | 70 | 90 | 94.0 |
| H 3288 | 440 | 410 | 361 | 560 | 70 | 90 | 118 |
| H 3292 | 460 | 430 | 382 | 580 | 75 | 95 | 132 |
| H 3296 | 480 | 450 | 397 | 620 | 75 | 95 | 152 |

- H3044 and larger sizes are fitted with nut ANL44/HM3044 and washer ALL44/MS3044 and up.
- H3144 and larger sizes are fitted with nut AN44/HM3144 and up.
- H3160 and larger sizes are fitted with nut AL60/MS3160 and up.
- Larger size than H3296 is also available.

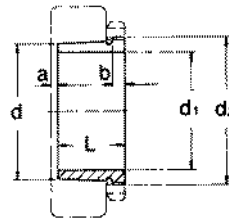
Series: **AH2**



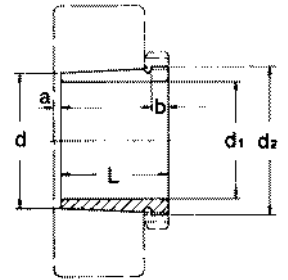
AH3



AH23



AH30



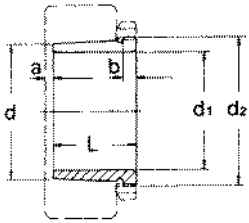
mm

| No. | d | d ₁ | L | b | a | d ₂ | Weight (kg) |
|---------|-----|----------------|------|----|-----|----------------|-------------|
| AH 208 | 40 | 35 | 25 | 6 | 2 | M 45x1.5 | 0.081 |
| AH 209 | 45 | 40 | 26 | 6 | 3 | M 50x1.5 | 0.095 |
| AH 210 | 50 | 45 | 28 | 7 | 3 | M 55x2 | 0.114 |
| AH 211 | 55 | 50 | 29 | 7 | 3 | M 60x2 | 0.132 |
| AH 212 | 60 | 55 | 32 | 8 | 3 | M 65x2 | 0.161 |
| AH 213 | 65 | 60 | 32.5 | 8 | 3.5 | M 75x2 | 0.213 |
| AH 214 | 70 | 65 | 33.5 | 8 | 3.5 | M 80x2 | 0.240 |
| AH 215 | 75 | 70 | 34.5 | 8 | 3.5 | M 85x2 | 0.259 |
| AH 216 | 80 | 75 | 35.5 | 8 | 3.5 | M 90x2 | 0.284 |
| AH 217 | 85 | 80 | 38.5 | 9 | 3.5 | M 95x2 | 0.314 |
| AH 218 | 90 | 85 | 40 | 9 | 4 | M100x2 | 0.351 |
| AH 219 | 95 | 90 | 43 | 10 | 4 | M105x2 | 0.403 |
| AH 220 | 100 | 95 | 45 | 10 | 4 | M110x2 | 0.481 |
| AH 222 | 110 | 105 | 50 | 11 | 4 | M120x2 | 0.547 |
| AH 224 | 120 | 115 | 53 | 12 | 4 | M130x2 | 0.679 |
| AH 226 | 130 | 125 | 53 | 12 | 4 | M140x2 | 0.725 |
| AH 228 | 140 | 135 | 56 | 13 | 5 | M150x2 | 0.818 |
| AH 230 | 150 | 145 | 60 | 14 | 5 | M160x3 | 0.963 |
| AH 232 | 160 | 150 | 64 | 15 | 5 | M170x3 | 1.70 |
| AH 234 | 170 | 160 | 69 | 16 | 5 | M180x3 | 1.98 |
| AH 236 | 180 | 170 | 69 | 16 | 5 | M190x3 | 2.14 |
| AH 238 | 190 | 180 | 73 | 17 | 5 | Tr205x4 | 2.52 |
| AH 240 | 200 | 190 | 77 | 18 | 5 | Tr215x4 | 2.87 |
| AH 244 | 220 | 200 | 85 | 18 | 6 | Tr235x4 | 5.49 |
| AH 248 | 240 | 220 | 96 | 22 | 6 | Tr260x4 | 7.34 |
| AH 252 | 260 | 240 | 105 | 23 | 6 | Tr280x4 | 8.80 |
| AH 256 | 280 | 260 | 105 | 23 | 8 | Tr300x4 | 9.42 |
| AH 308 | 40 | 35 | 29 | 6 | 3 | M 45x1.5 | 0.090 |
| AH 309 | 45 | 40 | 31 | 6 | 3 | M 50x1.5 | 0.109 |
| AHX 310 | 50 | 45 | 35 | 7 | 3 | M 55x2 | 0.137 |
| AHX 311 | 55 | 50 | 37 | 7 | 3 | M 60x2 | 0.161 |
| AHX 312 | 60 | 55 | 40 | 8 | 3 | M 65x2 | 0.189 |
| AH 313 | 65 | 60 | 42 | 8 | 3 | M 75x2 | 0.253 |
| AH 314 | 70 | 65 | 43 | 8 | 4 | M 80x2 | 0.280 |
| AH 315 | 75 | 70 | 45 | 8 | 4 | M 85x2 | 0.313 |
| AH 316 | 80 | 75 | 48 | 8 | 4 | M 90x2 | 0.365 |
| AHX 317 | 85 | 80 | 52 | 9 | 4 | M 95x2 | 0.429 |
| AHX 318 | 90 | 85 | 53 | 9 | 4 | M100x2 | 0.461 |
| AHX 319 | 95 | 90 | 57 | 10 | 4 | M105x2 | 0.532 |
| AHX 320 | 100 | 95 | 59 | 10 | 4 | M110x2 | 0.582 |
| AHX 322 | 110 | 105 | 63 | 12 | 4 | M120x2 | 0.663 |
| AHX 324 | 120 | 115 | 69 | 13 | 4 | M130x2 | 0.866 |
| AHX 326 | 130 | 125 | 74 | 14 | 4 | M140x2 | 1.02 |
| AHX 328 | 140 | 135 | 77 | 14 | 5 | M150x2 | 1.16 |
| AHX 330 | 150 | 145 | 83 | 15 | 5 | M165x3 | 1.50 |
| AH 332 | 160 | 150 | 88 | 16 | 5 | M180x3 | 2.69 |
| AH 334 | 170 | 160 | 93 | 17 | 5 | M190x3 | 3.07 |
| AH 2308 | 40 | 35 | 40 | 7 | 3 | M 45x1.5 | 0.128 |
| AH 2309 | 45 | 40 | 44 | 7 | 3 | M 50x1.5 | 0.164 |

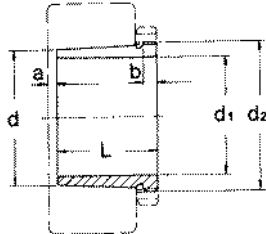
| No. | d | d ₁ | L | b | a | d ₂ | Weight (kg) |
|----------|-----|----------------|-----|----|----|----------------|-------------|
| AHX 2310 | 50 | 45 | 50 | 9 | 3 | M 55x2 | 0.209 |
| AHX 2311 | 55 | 50 | 54 | 10 | 3 | M 60x2 | 0.253 |
| AHX 2312 | 60 | 55 | 58 | 11 | 3 | M 65x2 | 0.297 |
| AH 2313 | 65 | 60 | 61 | 12 | 3 | M 75x2 | 0.395 |
| AHX 2314 | 70 | 65 | 64 | 12 | 4 | M 80x2 | 0.466 |
| AHX 2315 | 75 | 70 | 68 | 12 | 4 | M 85x2 | 0.534 |
| AHX 2316 | 80 | 75 | 71 | 12 | 4 | M 90x2 | 0.597 |
| AHX 2317 | 85 | 80 | 74 | 13 | 4 | M 95x2 | 0.670 |
| AHX 2318 | 90 | 85 | 79 | 14 | 4 | M100x2 | 0.779 |
| AHX 2319 | 95 | 90 | 85 | 16 | 4 | M105x2 | 0.886 |
| AHX 2320 | 100 | 95 | 90 | 16 | 4 | M110x2 | 0.998 |
| AHX 2322 | 110 | 105 | 98 | 16 | 4 | M125x2 | 3.35 |
| AHX 2324 | 120 | 115 | 105 | 17 | 4 | M135x2 | 1.60 |
| AHX 2326 | 130 | 125 | 115 | 19 | 4 | M145x2 | 1.97 |
| AHX 2328 | 140 | 135 | 125 | 20 | 5 | M155x3 | 2.33 |
| AHX 2330 | 150 | 145 | 135 | 24 | 5 | M165x3 | 2.82 |
| AH 2332 | 160 | 150 | 140 | 24 | 6 | M180x3 | 4.72 |
| AH 2334 | 170 | 160 | 146 | 24 | 6 | M190x3 | 5.25 |
| AH 2336 | 180 | 170 | 154 | 26 | 6 | M200x3 | 5.83 |
| AH 2338 | 190 | 180 | 160 | 26 | 7 | Tr210x4 | 6.63 |
| AH 2340 | 200 | 190 | 170 | 30 | 7 | Tr220x4 | 7.54 |
| AH 2344 | 220 | 200 | 181 | 30 | 8 | Tr240x4 | 13.5 |
| AH 2348 | 240 | 220 | 189 | 30 | 8 | Tr260x4 | 15.5 |
| AH 2352 | 260 | 240 | 205 | 30 | 8 | Tr290x4 | 19.6 |
| AH 2356 | 280 | 260 | 212 | 30 | 8 | Tr310x5 | 21.6 |
| AHX 3024 | 120 | 115 | 60 | 13 | 4 | M130x2 | 0.750 |
| AHX 3026 | 130 | 125 | 67 | 14 | 4 | M140x2 | 0.930 |
| AHX 3028 | 140 | 135 | 68 | 14 | 5 | M150x2 | 1.01 |
| AHX 3030 | 150 | 145 | 72 | 15 | 5 | M160x3 | 1.15 |
| AH 3032 | 160 | 150 | 77 | 16 | 5 | M170x3 | 2.06 |
| AH 3034 | 170 | 160 | 85 | 17 | 5 | M180x3 | 2.43 |
| AH 3036 | 180 | 170 | 92 | 17 | 6 | M190x3 | 2.81 |
| AH 3038 | 190 | 180 | 96 | 18 | 6 | Tr205x4 | 3.32 |
| AH 3040 | 200 | 190 | 102 | 19 | 6 | Tr215x4 | 3.80 |
| AH 3044 | 220 | 200 | 111 | 20 | 6 | Tr235x4 | 7.40 |
| AH 3048 | 240 | 220 | 116 | 21 | 7 | Tr260x4 | 8.75 |
| AH 3052 | 260 | 240 | 128 | 23 | 7 | Tr280x4 | 10.7 |
| AH 3056 | 280 | 260 | 131 | 24 | 8 | Tr300x4 | 12.0 |
| AH 3060 | 300 | 280 | 145 | 26 | 8 | Tr320x5 | 14.4 |
| AH 3064 | 320 | 300 | 149 | 27 | 8 | Tr345x5 | 16.0 |
| AH 3068 | 340 | 320 | 162 | 28 | 9 | Tr365x5 | 19.5 |
| AH 3072 | 360 | 340 | 167 | 30 | 9 | Tr385x5 | 21.0 |
| AH 3076 | 380 | 360 | 170 | 31 | 10 | Tr410x5 | 23.2 |
| AH 3080 | 400 | 380 | 183 | 33 | 10 | Tr430x5 | 27.3 |
| AH 3084 | 420 | 400 | 186 | 34 | 10 | Tr450x5 | 29.0 |
| AHX 3088 | 440 | 420 | 194 | 35 | 11 | Tr470x5 | 32.0 |
| AHX 3092 | 460 | 440 | 202 | 37 | 11 | Tr490x5 | 35.2 |
| AHX 3096 | 480 | 460 | 205 | 38 | 12 | Tr520x6 | 39.2 |

• Larger size is also available.

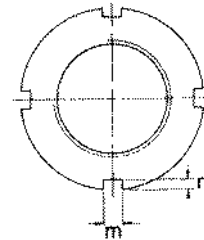
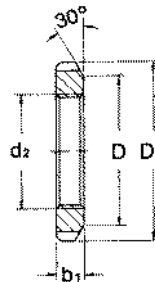
Series: AH31



AH22, AH32



Series: AN/KM



mm

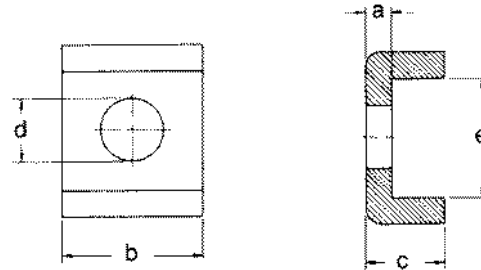
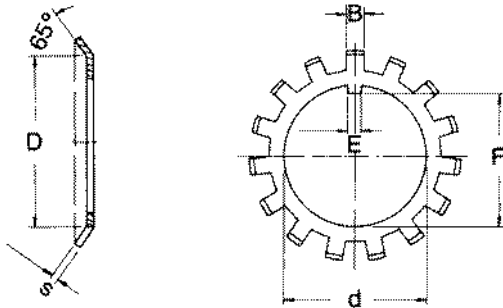
| No. | d | d ₁ | L | b | a | d ₂ | Weight (kg) |
|----------|-----|----------------|-----|----|----|----------------|-------------|
| AHX 3120 | 100 | 95 | 64 | 11 | 4 | M110x2 | 0.650 |
| AHX 3122 | 110 | 105 | 68 | 11 | 4 | M120x2 | 0.760 |
| AHX 3124 | 120 | 115 | 75 | 12 | 4 | M130x2 | 0.950 |
| AHX 3126 | 130 | 125 | 78 | 12 | 4 | M140x2 | 1.08 |
| AHX 3128 | 140 | 135 | 83 | 14 | 5 | M150x2 | 1.28 |
| AHX 3130 | 150 | 145 | 96 | 15 | 5 | M165x3 | 1.79 |
| AH 3132 | 160 | 150 | 103 | 16 | 5 | M180x3 | 3.21 |
| AH 3134 | 170 | 160 | 104 | 16 | 5 | M190x3 | 3.40 |
| AH 3136 | 180 | 170 | 116 | 19 | 6 | M200x3 | 4.22 |
| AH 3138 | 190 | 180 | 125 | 20 | 6 | Tr210x4 | 4.89 |
| AH 3140 | 200 | 190 | 134 | 21 | 6 | Tr220x4 | 5.49 |
| AH 3144 | 220 | 200 | 145 | 23 | 6 | Tr240x4 | 10.4 |
| AH 3148 | 240 | 220 | 154 | 25 | 7 | Tr260x4 | 12.0 |
| AH 3152 | 260 | 240 | 172 | 26 | 7 | Tr290x4 | 16.2 |
| AH 3156 | 280 | 260 | 175 | 28 | 8 | Tr310x5 | 17.5 |
| AH 3160 | 300 | 280 | 192 | 30 | 8 | Tr330x5 | 20.8 |
| AH 3164 | 320 | 300 | 209 | 31 | 8 | Tr350x5 | 24.5 |
| AH 3168 | 340 | 320 | 225 | 33 | 9 | Tr370x5 | 29.0 |
| AH 3172 | 360 | 340 | 229 | 35 | 9 | Tr400x5 | 33.0 |
| AH 3176 | 380 | 360 | 232 | 36 | 10 | Tr420x5 | 35.7 |
| AH 3180 | 400 | 380 | 240 | 38 | 10 | Tr440x5 | 39.5 |
| AH 3184 | 420 | 400 | 266 | 40 | 10 | Tr460x5 | 46.5 |
| AHX 3188 | 440 | 420 | 270 | 42 | 11 | Tr480x5 | 49.8 |
| AHX 3192 | 460 | 440 | 285 | 43 | 11 | Tr510x6 | 57.9 |
| AHX 3196 | 480 | 460 | 295 | 45 | 12 | Tr530x6 | 63.1 |
| AHX 3218 | 90 | 85 | 63 | 10 | 4 | M100x2 | 0.576 |
| AHX 3219 | 95 | 90 | 67 | 11 | 4 | M105x2 | 0.655 |
| AHX 3220 | 100 | 95 | 73 | 11 | 4 | M110x2 | 0.767 |
| AHX 3222 | 110 | 105 | 82 | 11 | 4 | M125x2 | 1.04 |
| AHX 3224 | 120 | 115 | 90 | 13 | 4 | M135x2 | 1.30 |
| AHX 3226 | 130 | 125 | 98 | 15 | 4 | M145x2 | 1.58 |
| AHX 3228 | 140 | 135 | 104 | 15 | 5 | M155x3 | 1.84 |
| AHX 3230 | 150 | 145 | 114 | 17 | 5 | M165x3 | 2.22 |
| AH 3232 | 160 | 150 | 124 | 20 | 6 | M180x3 | 4.08 |
| AH 3234 | 170 | 160 | 134 | 24 | 6 | M190x3 | 4.80 |
| AH 3236 | 180 | 170 | 140 | 24 | 6 | M200x3 | 5.32 |
| AH 3238 | 190 | 180 | 145 | 25 | 7 | Tr210x4 | 5.90 |
| AH 3240 | 200 | 190 | 153 | 25 | 7 | Tr220x4 | 6.68 |
| AH 3260 | 300 | 280 | 228 | 34 | 8 | Tr330x5 | 26.0 |
| AH 3264 | 320 | 300 | 246 | 36 | 8 | Tr350x5 | 30.6 |
| AH 2236 | 180 | 170 | 105 | 17 | 5 | M200x3 | 3.73 |
| AH 2238 | 190 | 180 | 112 | 18 | 5 | Tr210x4 | 4.25 |
| AH 2240 | 200 | 190 | 118 | 19 | 5 | Tr220x4 | 4.68 |
| AH 2244 | 220 | 200 | 130 | 20 | 6 | Tr240x4 | 9.10 |
| AH 2248 | 240 | 220 | 144 | 21 | 6 | Tr260x4 | 11.1 |
| AH 2252 | 260 | 240 | 155 | 23 | 6 | Tr290x4 | 14.0 |
| AH 2256 | 280 | 260 | 155 | 24 | 8 | Tr310x5 | 15.2 |
| AH 2260 | 300 | 280 | 170 | 26 | 8 | Tr330x5 | 18.1 |
| AH 2264 | 320 | 300 | 180 | 27 | 10 | Tr350x5 | 20.2 |

| No. | d ₂ | D ₁ | b ₁ | D | m | n | Weight (kg) |
|-----------|----------------|----------------|----------------|------|----|-----|-------------|
| AN/KM0 | M 10x0.75 | 18 | 4 | 13.5 | 3 | 2 | 0.004 |
| AN/KM1 | M 12x1 | 22 | 4 | 17 | 3 | 2 | 0.007 |
| AN/KM2 | M 15x1 | 25 | 5 | 21 | 4 | 2 | 0.010 |
| AN/KM3 | M 17x1 | 28 | 5 | 24 | 4 | 2 | 0.013 |
| AN/KM4 | M 20x1 | 32 | 6 | 26 | 4 | 2 | 0.019 |
| AN/KM5 | M 25x1.5 | 38 | 7 | 32 | 5 | 2 | 0.025 |
| AN/KM6 | M 30x1.5 | 45 | 7 | 38 | 5 | 2 | 0.043 |
| AN/KM7 | M 35x1.5 | 52 | 8 | 44 | 5 | 2 | 0.053 |
| AN/KM8 | M 40x1.5 | 58 | 9 | 50 | 6 | 2.5 | 0.085 |
| AN/KM9 | M 45x1.5 | 65 | 10 | 56 | 6 | 2.5 | 0.119 |
| AN/KM10 | M 50x1.5 | 70 | 11 | 61 | 6 | 2.5 | 0.148 |
| AN/KM11 | M 55x2 | 75 | 11 | 67 | 7 | 3 | 0.158 |
| AN/KM12 | M 60x2 | 80 | 11 | 73 | 7 | 3 | 0.174 |
| AN/KM13 | M 65x2 | 85 | 12 | 79 | 7 | 3 | 0.203 |
| AN/KM14 | M 70x2 | 92 | 12 | 85 | 8 | 3.5 | 0.242 |
| AN/KM15 | M 75x2 | 98 | 13 | 90 | 8 | 3.5 | 0.287 |
| AN/KM16 | M 80x2 | 105 | 15 | 95 | 8 | 3.5 | 0.397 |
| AN/KM17 | M 85x2 | 110 | 16 | 102 | 8 | 3.5 | 0.451 |
| AN/KM18 | M 90x2 | 120 | 16 | 108 | 10 | 4 | 0.556 |
| AN/KM19 | M 95x2 | 125 | 17 | 113 | 10 | 4 | 0.658 |
| AN/KM20 | M100x2 | 130 | 18 | 120 | 10 | 4 | 0.698 |
| AN/KM21 | M105x2 | 140 | 18 | 126 | 12 | 5 | 0.845 |
| AN/KM22 | M110x2 | 145 | 19 | 133 | 12 | 5 | 0.965 |
| AN/KM23 | M115x2 | 150 | 19 | 137 | 12 | 5 | 1.01 |
| AN/KM24 | M120x2 | 155 | 20 | 138 | 12 | 5 | 1.08 |
| AN/KM25 | M125x2 | 160 | 21 | 148 | 12 | 5 | 1.19 |
| AN/KM26 | M130x2 | 165 | 21 | 149 | 12 | 5 | 1.25 |
| AN/KM27 | M135x2 | 175 | 22 | 160 | 14 | 6 | 1.55 |
| AN/KM28 | M140x2 | 180 | 22 | 160 | 14 | 6 | 1.56 |
| AN/KM29 | M145x2 | 190 | 24 | 172 | 14 | 6 | 1.80 |
| AN/KM30 | M150x2 | 195 | 24 | 171 | 14 | 6 | 2.03 |
| AN/KM31 | M155x3 | 200 | 25 | 182 | 16 | 7 | 2.30 |
| AN/KM32 | M160x3 | 210 | 25 | 182 | 16 | 7 | 2.59 |
| AN/KM33 | M165x3 | 210 | 26 | 193 | 16 | 7 | 2.70 |
| AN/KM34 | M170x3 | 220 | 26 | 193 | 16 | 7 | 2.80 |
| AN/KM36 | M180x3 | 230 | 27 | 203 | 18 | 8 | 3.07 |
| AN/KM38 | M190x3 | 240 | 28 | 214 | 18 | 8 | 3.39 |
| AN/KM40 | M200x3 | 250 | 29 | 226 | 18 | 8 | 3.69 |
| ANL/KML24 | M120x2 | 145 | 20 | 135 | 12 | 5 | 0.780 |
| ANL/KML26 | M130x2 | 155 | 21 | 145 | 12 | 5 | 0.880 |
| ANL/KML28 | M140x2 | 165 | 22 | 155 | 12 | 5 | 0.990 |
| ANL/KML30 | M150x2 | 180 | 24 | 170 | 14 | 5 | 1.38 |
| ANL/KML32 | M160x3 | 190 | 25 | 180 | 14 | 5 | 1.56 |
| ANL/KML34 | M170x3 | 200 | 26 | 190 | 16 | 5 | 1.72 |
| ANL/KML36 | M180x3 | 210 | 27 | 200 | 16 | 5 | 1.95 |
| ANL/KML38 | M190x3 | 220 | 28 | 210 | 16 | 5 | 2.08 |
| ANL/KML40 | M200x3 | 240 | 29 | 222 | 18 | 8 | 2.98 |

• Larger size is also available.

Series: AW/MB

Series: AL/MS31, ALL/MS30



mm

| No. | d | D | S | E | F | B | Weight (100/kg) |
|---------|-----|------|------|----|-------|----|-----------------|
| AW/MB0 | 10 | 13.5 | 1 | 3 | 8.5 | 3 | 0.131 |
| AW/MB1 | 12 | 17 | 1 | 3 | 10.5 | 3 | 0.192 |
| AW/MB2 | 15 | 21 | 1 | 4 | 13.5 | 4 | 0.253 |
| AW/MB3 | 17 | 24 | 1 | 4 | 15.5 | 4 | 0.313 |
| AW/MB4 | 20 | 26 | 1 | 4 | 18.5 | 4 | 0.350 |
| AW/MB5 | 25 | 32 | 1.25 | 5 | 23 | 5 | 0.640 |
| AW/MB6 | 30 | 38 | 1.25 | 5 | 27.5 | 5 | 0.780 |
| AW/MB7 | 35 | 44 | 1.25 | 6 | 32.5 | 5 | 1.04 |
| AW/MB8 | 40 | 50 | 1.25 | 6 | 37.5 | 6 | 1.23 |
| AW/MB9 | 45 | 56 | 1.25 | 6 | 42.5 | 6 | 1.52 |
| AW/MB10 | 50 | 61 | 1.25 | 6 | 47.5 | 6 | 1.60 |
| AW/MB11 | 55 | 67 | 1.25 | 8 | 52.5 | 7 | 1.96 |
| AW/MB12 | 60 | 73 | 1.5 | 8 | 57.5 | 7 | 2.53 |
| AW/MB13 | 65 | 79 | 1.5 | 8 | 62.5 | 7 | 2.90 |
| AW/MB14 | 70 | 85 | 1.5 | 8 | 66.5 | 8 | 3.34 |
| AW/MB15 | 75 | 90 | 1.5 | 8 | 71.5 | 8 | 3.56 |
| AW/MB16 | 80 | 95 | 1.75 | 10 | 76.5 | 8 | 4.64 |
| AW/MB17 | 85 | 102 | 1.75 | 10 | 81.5 | 8 | 5.24 |
| AW/MB18 | 90 | 108 | 1.75 | 10 | 86.5 | 10 | 6.23 |
| AW/MB19 | 95 | 113 | 1.75 | 10 | 91.5 | 10 | 6.70 |
| AW/MB20 | 100 | 120 | 1.75 | 12 | 96.5 | 10 | 7.65 |
| AW/MB21 | 105 | 126 | 1.75 | 12 | 100.5 | 12 | 8.26 |
| AW/MB22 | 110 | 133 | 1.75 | 12 | 105.5 | 12 | 9.40 |
| AW/MB23 | 115 | 137 | 2 | 12 | 110.5 | 12 | 10.8 |
| AW/MB24 | 120 | 138 | 2 | 14 | 115 | 12 | 10.5 |
| AW/MB25 | 125 | 148 | 2 | 14 | 120 | 12 | 11.8 |
| AW/MB26 | 130 | 149 | 2 | 14 | 125 | 12 | 11.3 |
| AW/MB27 | 135 | 160 | 2 | 14 | 130 | 14 | 14.4 |
| AW/MB28 | 140 | 160 | 2 | 16 | 135 | 14 | 14.2 |
| AW/MB29 | 145 | 172 | 2 | 16 | 140 | 14 | 16.8 |
| AW/MB30 | 150 | 171 | 2 | 16 | 145 | 14 | 15.5 |
| AW/MB31 | 155 | 182 | 2.5 | 16 | 147.5 | 16 | 20.9 |
| AW/MB32 | 160 | 182 | 2.5 | 18 | 154 | 16 | 22.2 |
| AW/MB33 | 165 | 193 | 2.5 | 18 | 157.5 | 16 | 24.1 |
| AW/MB34 | 170 | 193 | 2.5 | 18 | 164 | 16 | 24.7 |
| AW/MB36 | 180 | 203 | 2.5 | 20 | 174 | 18 | 26.8 |
| AW/MB38 | 190 | 214 | 2.5 | 20 | 184 | 18 | 27.8 |
| AW/MB40 | 200 | 226 | 2.5 | 20 | 194 | 18 | 29.3 |
| AW/MB44 | 220 | 250 | 3 | 24 | 213 | 20 | 40.0 |
| AW/MB48 | 240 | 270 | 3 | 24 | 233 | 20 | 40.0 |
| AW/MB52 | 260 | 300 | 3 | 28 | 253 | 24 | 60.0 |
| AW/MB56 | 280 | 320 | 3 | 28 | 273 | 24 | 62.0 |

| No. | a | b | c | d | e | Weight (100/kg) |
|------------|---|----|----|----|------|-----------------|
| AL/MS3144 | 4 | 20 | 12 | 9 | 22.5 | 2.60 |
| AL/MS3148 | 4 | 20 | 12 | 9 | 22.5 | 2.60 |
| AL/MS3152 | 4 | 24 | 12 | 12 | 25.5 | 3.39 |
| AL/MS3156 | 4 | 24 | 12 | 12 | 25.5 | 3.39 |
| AL/MS3160 | 4 | 24 | 12 | 12 | 30.5 | 3.79 |
| AL/MS3164 | 5 | 24 | 15 | 12 | 31 | 5.35 |
| AL/MS3168 | 5 | 28 | 15 | 14 | 38 | 6.65 |
| AL/MS3172 | 5 | 28 | 15 | 14 | 38 | 6.65 |
| AL/MS3176 | 5 | 32 | 15 | 14 | 40 | 7.96 |
| AL/MS3180 | 5 | 32 | 15 | 18 | 45 | 8.20 |
| AL/MS3184 | 5 | 32 | 15 | 18 | 45 | 8.20 |
| AL/MS3188 | 5 | 36 | 15 | 18 | 43 | 9.00 |
| AL/MS3192 | 5 | 36 | 15 | 18 | 43 | 9.00 |
| AL/MS3196 | 5 | 36 | 15 | 18 | 53 | 10.4 |
| ALL/MS3044 | 4 | 20 | 12 | 7 | 13.5 | 2.12 |
| ALL/MS3048 | 4 | 20 | 12 | 9 | 17.5 | 2.29 |
| ALL/MS3052 | 4 | 20 | 12 | 9 | 17.5 | 2.29 |
| ALL/MS3056 | 4 | 24 | 12 | 9 | 17.5 | 2.92 |
| ALL/MS3060 | 4 | 24 | 12 | 9 | 20.5 | 3.16 |
| ALL/MS3064 | 5 | 24 | 15 | 9 | 21 | 4.56 |
| ALL/MS3068 | 5 | 24 | 15 | 9 | 21 | 4.56 |
| ALL/MS3072 | 5 | 28 | 15 | 9 | 20 | 5.03 |
| ALL/MS3076 | 5 | 28 | 15 | 12 | 24 | 5.28 |
| ALL/MS3080 | 5 | 28 | 15 | 12 | 24 | 5.28 |
| ALL/MS3084 | 5 | 32 | 15 | 12 | 24 | 6.11 |
| ALL/MS3088 | 5 | 32 | 15 | 14 | 28 | 6.45 |
| ALL/MS3092 | 5 | 32 | 15 | 14 | 28 | 6.45 |
| ALL/MS3096 | 5 | 36 | 15 | 14 | 28 | 7.29 |

• Larger size is also available.

To enable the oil injection method to ease mounting and dismounting. FSQ adapter sleeves having a bore diameter of 140mm & up can be supplied to special order already prepared for oil injection. (OH..H)

These adapter sleeves have an oil duct at the threaded side and an oil distributor groove on the outside surface. If oil is injected through this duct and groove, an oil film is formed between the mating surfaces of the bearing and sleeve and the force required to mount the bearing is reduced considerably.

In addition to these standard sleeves which are designated OH..H and shown in the product tables, FSQ produces sleeves to three other designs which differ in the number and arrangement of the oil ducts and distributor grooves, as described below.

- OH design

The oil supply duct is at the side opposite to the threaded section and there is a distributor groove in the outside surface.

- OH..B design

The oil supply duct (or ducts) is at the side opposite to the threaded section and there are distributor grooves in the bore as well as the outside surface. Sleeves up to and including size 40 have one supply duct, larger sleeves have two.

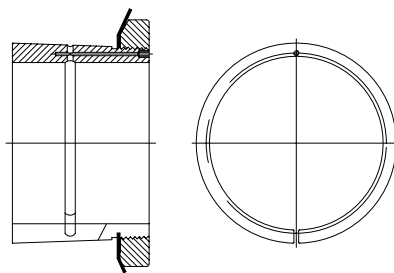
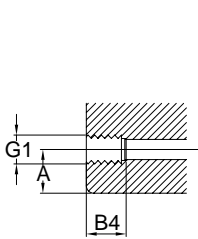
- OH..HB design

These sleeves have an oil supply duct (or ducts) at the threaded side of the sleeve and distributor grooves in the bore as well as the outside surface. Sleeves up to and including size 40 have one supply duct, larger sleeves have two.

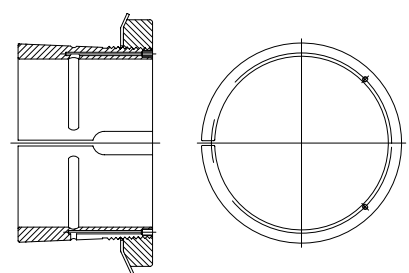
- AOH-FSQ withdrawal sleeves having a bore diameter of 200mm and above are supplied as standard in the AOH design which enables the oil injection method to be used.

The dimensions of metric FSQ adapter sleeves are in accordance with ISO 2982-1:1995; except the bore diameter of metric sleeves for inch shafts.

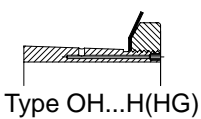
The dimensions of FSQ adapter sleeves are inch dimensions are in accordance with ANSI/ABMA Std. 8.2-1991.



Type OH...HB(HGJ) Size 40 and under



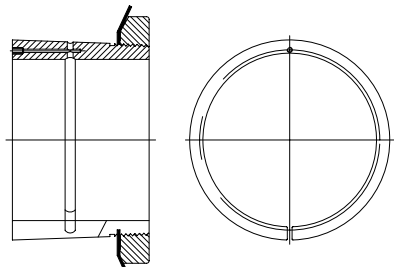
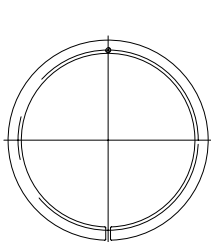
Type OH...HB(HGJ) Size 44 and upper



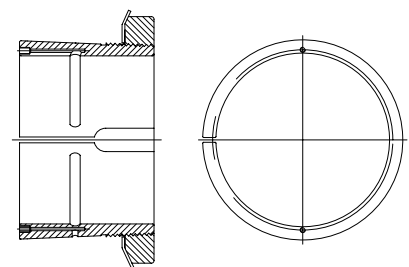
Type OH...H(HG)



Type OH(HK)

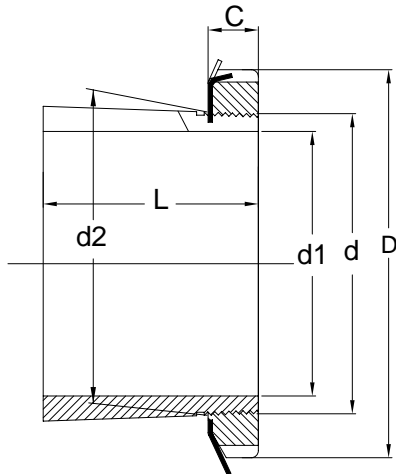


Type OH...B(HKJ) Size 40 and under

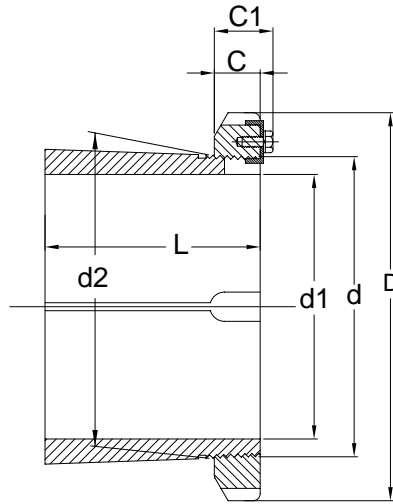


Type OH...B(HKJ) Size 44 and upper

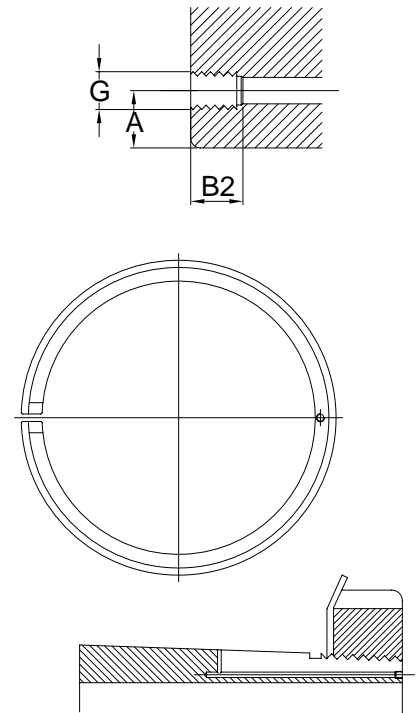
Hydraulic Adapter Sleeves



Taper 1:12
Lock Washer MB



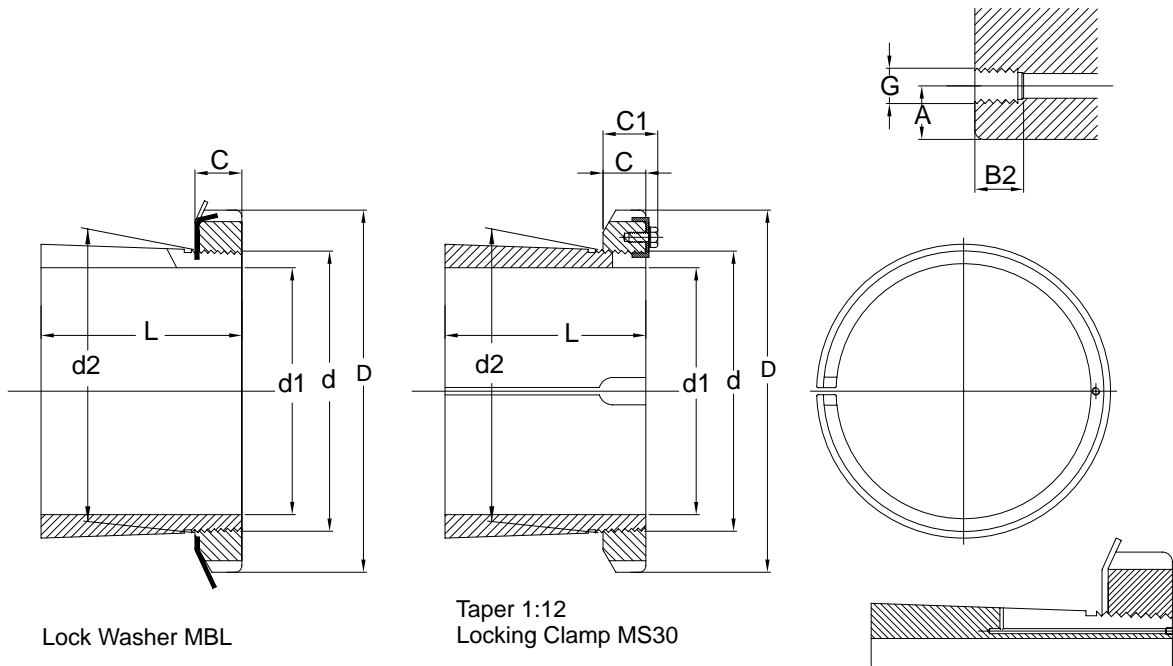
Taper 1:12
Locking Clamp MS31



| No. | d1 | d2 | D | L | C | C1 | B2 | A | d | G | | Weight | Lock nut | Locking device | Appropriate hydraulic nut |
|------------|-----|------|------|-----|-----|-----|----|-----|----------|----|-------|--------|------------|----------------|---------------------------|
| | mm | mm | mm | mm | mm | mm | mm | mm | mm | in | kg | | | | |
| OH2332H | 140 | 160 | 210 | 147 | 28 | - | 9 | 4.2 | M160x3 | M6 | - | 8.80 | KM 32 | MB 32 | HMV 32E |
| OH2334H | 150 | 170 | 220 | 154 | 29 | - | 9 | 4.2 | M170x3 | M6 | - | 9.90 | KM 34 | MB 34 | HMV 34E |
| OH2336H | 160 | 180 | 230 | 161 | 30 | - | 9 | 4.2 | M180x3 | M6 | - | 11.0 | KM 36 | MB 36 | HMV 36E |
| OH2338H | 170 | 190 | 240 | 169 | 31 | - | 9 | 4.2 | M190x3 | M6 | - | 12.0 | KM 38 | MB 38 | HMV 38E |
| OH2340H | 180 | 200 | 250 | 176 | 32 | - | 9 | 4.2 | M200x3 | M6 | - | 13.5 | KM 40 | MB 40 | HMV 40E |
| OH2344H | 200 | 220 | 280 | 186 | 35 | - | 9 | 4.2 | Tr220x4 | M6 | - | 17.0 | HM 44T | MB 44 | HMV 44E |
| OH2348H | 220 | 240 | 300 | 199 | 37 | - | 9 | 4.2 | Tr240x4 | M6 | - | 19.0 | HM 48T | MB 48 | HMV 48E |
| OH2352H | 240 | 260 | 330 | 211 | 39 | - | 9 | 4.2 | Tr260x4 | M6 | - | 23.0 | HM 52T | MB 52 | HMV 52E |
| OH2356H | 260 | 280 | 350 | 224 | 41 | - | 9 | 4.2 | Tr280x4 | M6 | - | 27.0 | HM 56T | MB 56 | HMV 56E |
| OH3260H | 280 | 300 | 380 | 240 | 40 | 53 | 9 | 4.2 | Tr300x4 | M6 | - | 32.0 | HM 3160 | MS 3160 | HMV 60E |
| OH3264H | 320 | 320 | 400 | 258 | 42 | 56 | 9 | 4 | Tr320x5 | M6 | - | 35.0 | HM 3164 | MS 3164 | HMV 64E |
| OH3268H | 320 | 340 | 440 | 288 | 55 | 72 | 9 | 4 | Tr340x5 | M6 | - | 51.5 | HM 3168 | MS 3172-68 | HMV 68E |
| OH3272H | 340 | 360 | 460 | 299 | 58 | 75 | 9 | 4 | Tr360x5 | M6 | - | 60.5 | HM 3172 | MS 3172-68 | HMV 72E |
| OH3276H | 360 | 380 | 490 | 310 | 60 | 77 | 9 | 4 | Tr380x5 | M6 | - | 61.5 | HM 3176 | MS 3176 | HMV 76E |
| OH3280H | 380 | 400 | 520 | 328 | 62 | 82 | 9 | 4 | Tr400x5 | M6 | - | 87.0 | HM 3180 | MS 3184-80 | HMV 80E |
| OH3284H | 400 | 420 | 540 | 352 | 70 | 90 | 9 | 4 | Tr420x5 | M6 | - | 96.0 | HM 3184 | MS 3184-88 | HMV 84E |
| OH3288H | 410 | 440 | 560 | 361 | 70 | 90 | 12 | 6.5 | Tr440x5 | M8 | - | 117 | HM 3188 | MS 3192-88 | HMV 88E |
| OH3292H | 430 | 460 | 580 | 382 | 75 | 95 | 12 | 6.5 | Tr460x5 | M8 | - | 134 | HM 3192 | MS 3192-88 | HMV 92E |
| OH3296H | 450 | 480 | 620 | 397 | 75 | 95 | 12 | 6.5 | Tr480x5 | M8 | - | 153 | HM 3196 | MS 3196 | HMV 96E |
| OH32/500H | 470 | 500 | 630 | 428 | 80 | 100 | 12 | 6 | Tr500x5 | M8 | - | 170 | HM 31/500 | MS 31/500 | HMV 100E |
| OH32/530H | 500 | 530 | 670 | 447 | 80 | 105 | 12 | 6 | Tr530x6 | M8 | - | 192 | HM 31/530 | MS 31/530 | HMV 106E |
| OH32/560H | 530 | 560 | 710 | 462 | 85 | 110 | 12 | 6 | Tr560x6 | M8 | - | 219 | HM 31/560 | MS 31/600-560 | HMV 112E |
| OH32/600H | 560 | 600 | 750 | 487 | 85 | 110 | 13 | 8 | Tr600x6 | - | G 1/8 | 278 | HM 31/600 | MS 31/600-560 | HMV 120E |
| OH32/630H | 600 | 630 | 800 | 521 | 95 | 120 | 12 | 6 | Tr630x6 | M8 | - | 300 | HM 31/630 | MS 31/630 | HMV 126E |
| OH32/670H | 630 | 670 | 850 | 558 | 106 | 131 | 13 | 8 | Tr670x6 | - | G 1/8 | 401 | HM 31/670 | MS 31/670 | HMV 134E |
| OH32/710H | 670 | 710 | 900 | 572 | 106 | 135 | 13 | 8 | Tr710x7 | - | G 1/8 | 459 | HM 31/710 | MS 31/710 | HMV 142E |
| OH32/750H | 710 | 750 | 950 | 603 | 112 | 141 | 13 | 8 | Tr750x7 | - | G 1/8 | 526 | HM 31/750 | MS 31/800-750 | HMV 150E |
| OH32/800H | 750 | 800 | 1000 | 618 | 112 | 141 | 13 | 10 | Tr800x7 | - | G 1/8 | 629 | HM 31/800 | MS 31/800-750 | HMV 160E |
| OH32/850H | 800 | 850 | 1060 | 651 | 118 | 147 | 13 | 10 | Tr850x7 | - | G 1/8 | 722 | HM 31/850 | MS 31/850 | HMV 170E |
| OH32/900H | 850 | 900 | 1120 | 660 | 125 | 154 | 13 | 10 | Tr900x7 | - | G 1/8 | 776 | HM 31/900 | MS 31/900 | HMV 180E |
| OH32/950H | 900 | 950 | 1170 | 675 | 125 | 154 | 13 | 10 | Tr950x8 | - | G 1/8 | 834 | HM 31/950 | MS 31/950 | HMV 190E |
| OH32/1000H | 950 | 1000 | 1240 | 707 | 125 | 154 | 13 | 10 | Tr1000x8 | - | G 1/8 | 952 | HM 31/1000 | MS 31/1000 | HMV 200E |

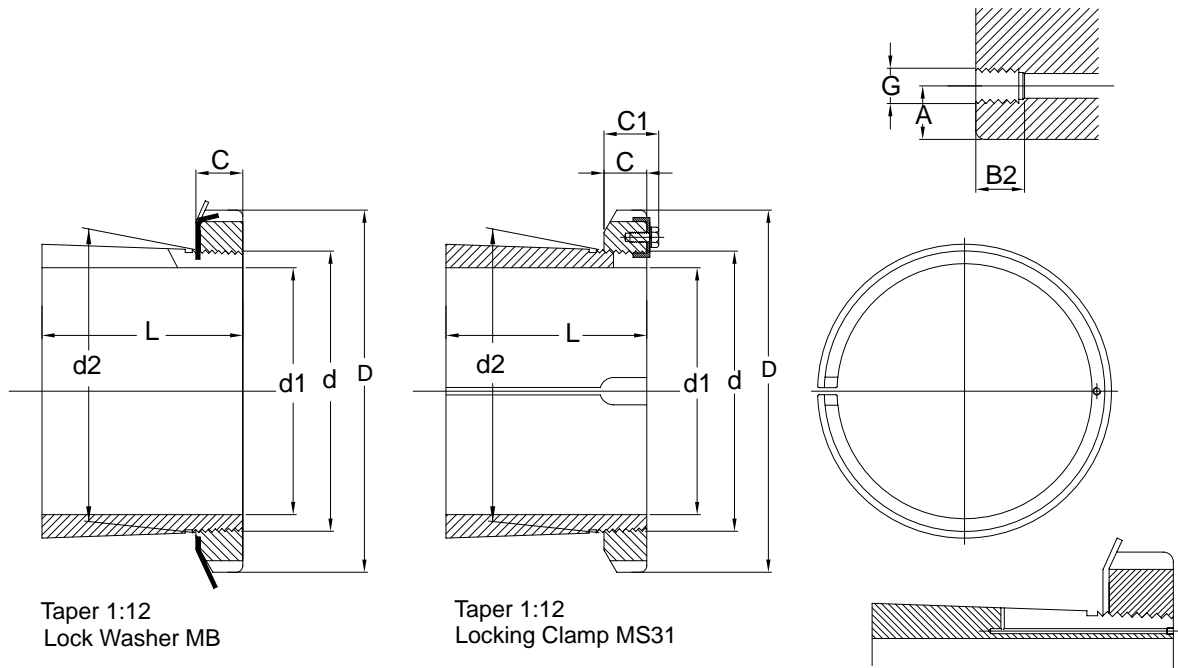
Hydraulic Adapter Sleeves

Hydraulic Adapter Sleeves



| No. | d1 | d2 | D | L | C | C1 | B2 | A | d | G | | Weight | Lock nut | Locking device | Appropriate hydraulic nut |
|------------|------|------|------|-----|------|-----|----|-----|----------|----|-------|--------|------------|----------------|---------------------------|
| | mm | | | | | | | | | in | kg | | | | |
| OH3032H | 140 | 160 | 190 | 93 | 27.5 | - | 9 | 4.2 | M160x3 | M6 | - | 5.10 | KML 32 | MBL 32 | HMV 32E |
| OH3034H | 150 | 170 | 200 | 101 | 28.5 | - | 9 | 4.2 | M170x3 | M6 | - | 5.80 | KML 34 | MBL 34 | HMV 34E |
| OH3036H | 160 | 180 | 210 | 109 | 29.5 | - | 9 | 4.2 | M180x3 | M6 | - | 6.70 | KML 36 | MBL 36 | HMV 36E |
| OH3038H | 170 | 190 | 220 | 112 | 30.5 | - | 9 | 4.2 | M190x3 | M6 | - | 7.25 | KML 38 | MBL 38 | HMV 38E |
| OH3040H | 180 | 200 | 240 | 120 | 31.5 | - | 9 | 4.2 | Tr200x3 | M6 | - | 8.90 | KML 40 | MBL 40 | HMV 40E |
| OH3044H | 200 | 220 | 260 | 126 | 30 | 41 | 9 | 4.2 | Tr220x4 | M6 | - | 9.90 | HM 3044 | MS 3044 | HMV 44E |
| OH3048H | 220 | 240 | 290 | 133 | 34 | 46 | 9 | 4.2 | Tr240x4 | M6 | - | 12.0 | HM 3048 | MS 3052-48 | HMV 48E |
| OH3052H | 240 | 260 | 310 | 145 | 34 | 46 | 9 | 4.2 | Tr260x4 | M6 | - | 13.5 | HM 3052 | MS 3052-48 | HMV 52E |
| OH3056H | 260 | 280 | 330 | 152 | 38 | 50 | 9 | 4.2 | Tr280x4 | M6 | - | 16.0 | HM 3056 | MS 3056 | HMV 56E |
| OH3060H | 280 | 300 | 360 | 168 | 42 | 54 | 9 | 4.2 | Tr300x4 | M6 | - | 20.5 | HM 3060 | MS 3060 | HMV 60E |
| OH3064H | 300 | 320 | 380 | 171 | 42 | 55 | 9 | 4 | Tr320x5 | M6 | - | 22.0 | HM 3064 | MS 3068-64 | HMV 64E |
| OH3068H | 320 | 340 | 400 | 187 | 45 | 58 | 9 | 4 | Tr340x5 | M6 | - | 27.0 | HM 3068 | MS 3068-64 | HMV 68E |
| OH3072H | 340 | 360 | 420 | 188 | 45 | 58 | 9 | 4 | Tr360x5 | M6 | - | 29.0 | HM 3072 | MS 3072 | HMV 72E |
| OH3076H | 360 | 380 | 450 | 193 | 48 | 62 | 9 | 4 | Tr380x5 | M6 | - | 35.5 | HM 3076 | MS 3080-76 | HMV 76E |
| OH3080H | 380 | 400 | 470 | 210 | 52 | 66 | 9 | 4 | Tr400x5 | M6 | - | 40.0 | HM 3080 | MS 3080-76 | HMV 80E |
| OH3084H | 400 | 420 | 490 | 212 | 52 | 66 | 9 | 4 | Tr420x5 | M6 | - | 47.0 | HM 3084 | MS 3084 | HMV 84E |
| OH3088H | 410 | 440 | 520 | 228 | 60 | 77 | 12 | 6.5 | Tr440x5 | M8 | - | 65.0 | HM 3088 | MS 3092-88 | HMV 88E |
| OH3092H | 430 | 460 | 540 | 234 | 60 | 77 | 12 | 6.5 | Tr460x5 | M8 | - | 71.0 | HM 3092 | MS 3092-88 | HMV 92E |
| OH3096H | 450 | 480 | 560 | 237 | 60 | 77 | 12 | 6.5 | Tr480x5 | M8 | - | 75.0 | HM 3096 | MS 30/500-96 | HMV 96E |
| OH30/500H | 470 | 500 | 580 | 247 | 68 | 85 | 12 | 6.5 | Tr500x5 | M8 | - | 82.0 | HM 30/500 | MS 30/500-96 | HMV 100E |
| OH30/530H | 500 | 530 | 630 | 265 | 68 | 90 | 12 | 6 | Tr530x6 | M8 | - | 105 | HM 30/500 | MS 30/600-530 | HMV 106E |
| OH30/560H | 530 | 560 | 650 | 282 | 75 | 97 | 12 | 6 | Tr560x6 | M8 | - | 112 | HM 30/560 | MS 30/560 | HMV 112E |
| OH30/600H | 560 | 600 | 700 | 289 | 75 | 97 | 13 | 8 | Tr600x6 | - | G 1/8 | 147 | HM 30/600 | MS 30/600-530 | HMV 120E |
| OH30/630H | 600 | 630 | 730 | 301 | 75 | 97 | 12 | 6 | Tr630x5 | M8 | - | 138 | HM 30/630 | MS 30/630 | HMV 126E |
| OH30/670H | 630 | 670 | 780 | 324 | 80 | 102 | 13 | 8 | Tr670x6 | - | G 1/8 | 190 | HM 30/670 | MS 30/670 | HMV 134E |
| OH30/710H | 670 | 710 | 830 | 342 | 90 | 112 | 13 | 8 | Tr710x7 | - | G 1/8 | 228 | HM 30/710 | MS 30/710 | HMV 142E |
| OH30/750H | 710 | 750 | 870 | 356 | 90 | 112 | 13 | 8 | Tr750x7 | - | G 1/8 | 246 | HM 30/750 | MS 30/800-750 | HMV 150E |
| OH30/800H | 750 | 800 | 920 | 366 | 90 | 112 | 13 | 10 | Tr800x7 | - | G 1/8 | 302 | HM 30/800 | MS 30/800-750 | HMV 160E |
| OH30/850H | 800 | 850 | 980 | 380 | 90 | 115 | 13 | 10 | Tr850x7 | - | G 1/8 | 341 | HM 30/850 | MS 30/900-850 | HMV 170E |
| OH30/900H | 850 | 900 | 1030 | 400 | 100 | 125 | 13 | 10 | Tr900x7 | - | G 1/8 | 387 | HM 30/900 | MS 30/900-850 | HMV 180E |
| OH30/950H | 900 | 950 | 1080 | 420 | 100 | 125 | 13 | 10 | Tr950x8 | - | G 1/8 | 424 | HM 30/950 | MS 30/950 | HMV 190E |
| OH30/1000H | 950 | 1000 | 1140 | 430 | 100 | 125 | 13 | 10 | Tr1000x8 | - | G 1/8 | 470 | HM 30/1000 | MS 30/1000 | HMV 200E |
| OH30/1060H | 1000 | 1060 | 1200 | 447 | 100 | 125 | 15 | 12 | Tr1060x8 | - | G 1/4 | 571 | HM 30/1060 | MS 30/1000 | HMV 212E |

Hydraulic Adapter Sleeves



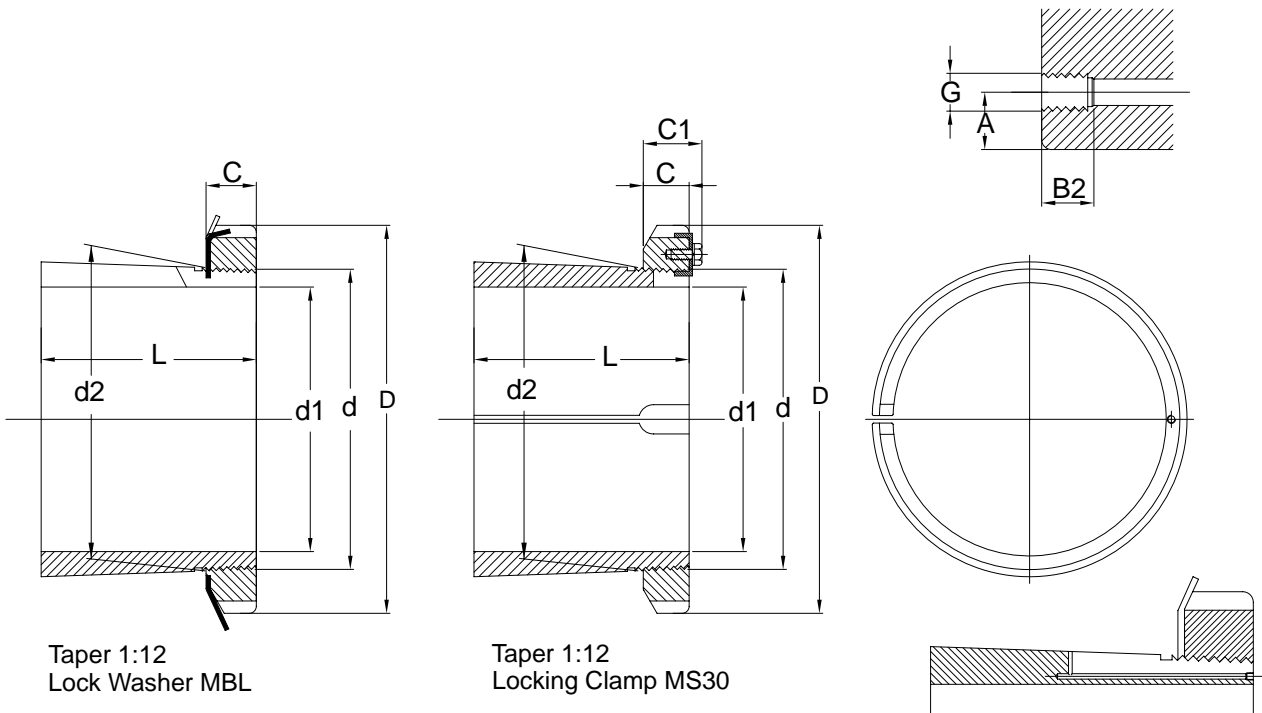
Taper 1:12
Lock Washer MB

Taper 1:12
Locking Clamp MS31

| No. | d1 | d2 | D | L | C | C1 | B2 | A | d | G | | Weight | Lock nut | Locking device | Appropriate hydraulic nut |
|------------|------|------|------|-----|-----|-----|----|-----|----------|----|-------|--------|------------|----------------|---------------------------|
| | mm | mm | mm | mm | mm | mm | mm | mm | mm | in | kg | | | | |
| OH3134H | 150 | 170 | 220 | 122 | 29 | - | 9 | 4.2 | M170x3 | M6 | - | 8.10 | KM 34 | MB 34 | HMV 34E |
| OH3136H | 160 | 180 | 230 | 131 | 30 | - | 9 | 4.2 | M180x3 | M6 | - | 9.15 | KM 36 | MB 36 | HMV 36E |
| OH3138H | 170 | 190 | 240 | 141 | 31 | - | 9 | 4.2 | M190x3 | M6 | - | 10.5 | KM 38 | MB 38 | HMV 38E |
| OH3140H | 180 | 200 | 250 | 150 | 32 | - | 9 | 4.2 | M200x3 | M6 | - | 12.0 | KM 40 | MB 40 | HMV 40E |
| OH3144HX | 200 | 220 | 280 | 161 | 35 | - | 9 | 4.2 | Tr220x4 | M6 | - | 15.0 | HM 44T | MB 44 | HMV 44E |
| OH3144H | 200 | 220 | 280 | 161 | 35 | - | 9 | 4.2 | Tr220x4 | M6 | - | 15.0 | HM 44T | MB 44 | HMV 44E |
| OH3148HX | 220 | 240 | 300 | 172 | 37 | - | 9 | 4.2 | Tr240x4 | M6 | - | 16.5 | HM 48T | MB 48 | HMV 48E |
| OH3148H | 220 | 240 | 300 | 172 | 37 | - | 9 | 4.2 | Tr240x4 | M6 | - | 16.5 | HM 48T | MB 48 | HMV 48E |
| OH3152HX | 240 | 260 | 330 | 190 | 39 | - | 9 | 4.2 | Tr260x4 | M6 | - | 21.0 | HM 52T | MB 52 | HMV 52E |
| OH3152H | 240 | 260 | 330 | 190 | 39 | - | 9 | 4.2 | Tr260x4 | M6 | - | 21.0 | HM 52T | MB 52 | HMV 52E |
| OH3156HX | 260 | 280 | 330 | 195 | 41 | - | 9 | 4.2 | Tr280x4 | M6 | - | 23.0 | HM 56T | MB 56 | HMV 56E |
| OH3156H | 260 | 280 | 350 | 195 | 41 | - | 9 | 4.2 | Tr280x4 | M6 | - | 23.0 | HM 56T | MB 56 | HMV 56E |
| OH3160H | 280 | 300 | 380 | 208 | 40 | 53 | 9 | 4.2 | Tr300x4 | M6 | - | 29.0 | HM 3160 | MS 3160 | HMV 60E |
| OH3164H | 300 | 320 | 400 | 226 | 42 | 56 | 9 | 4 | Tr320x5 | M6 | - | 32.0 | HM 3164 | MS 3164 | HMV 64E |
| OH3168H | 320 | 340 | 440 | 254 | 55 | 72 | 9 | 4 | Tr340x5 | M6 | - | 50.0 | HM 3168 | MS 3172-68 | HMV 68E |
| OH3172H | 340 | 360 | 460 | 259 | 58 | 75 | 9 | 4 | Tr360x5 | M6 | - | 56.0 | HM 3172 | MS 3172-68 | HMV 72E |
| OH3176H | 360 | 380 | 490 | 264 | 60 | 77 | 9 | 4 | Tr380x5 | M6 | - | 61.5 | HM 3176 | MS 3176 | HMV 76E |
| OH3180H | 380 | 400 | 520 | 272 | 62 | 82 | 9 | 4 | Tr400x5 | M6 | - | 73.0 | HM 3180 | MS 3184-80 | HMV 80E |
| OH3184H | 400 | 420 | 540 | 304 | 70 | 90 | 9 | 4 | Tr420x5 | M6 | - | 80.0 | HM 3184 | MS 3184-80 | HMV 84E |
| OH3188H | 410 | 440 | 560 | 307 | 70 | 90 | 12 | 6.5 | Tr440x5 | M8 | - | 95.0 | HM 3188 | MS 3192-88 | HMV 88E |
| OH3192H | 430 | 460 | 580 | 326 | 75 | 95 | 12 | 6.5 | Tr460x5 | M8 | - | 119 | HM 3192 | MS 3192-88 | HMV 92E |
| OH3196H | 450 | 480 | 620 | 335 | 75 | 95 | 12 | 6.5 | Tr480x5 | M8 | - | 135 | HM 3196 | MS 3196 | HMV 96E |
| OH31/500H | 470 | 500 | 630 | 356 | 80 | 100 | 12 | 6.5 | Tr500x5 | M8 | - | 145 | HM 31/500 | MS 31/500 | HMV 100E |
| OH31/530H | 500 | 530 | 670 | 364 | 80 | 105 | 12 | 6 | Tr530x6 | M8 | - | 161 | HM 31/530 | MS 31/530 | HMV 106E |
| OH31/560H | 530 | 560 | 710 | 377 | 85 | 110 | 12 | 6 | Tr560x6 | M8 | - | 185 | HM 31/560 | MS 31/600-56 | HMV 112E |
| OH31/600H | 560 | 600 | 750 | 399 | 85 | 110 | 13 | 8 | Tr600x6 | - | G 1/8 | 234 | HM 31/600 | MS 31/600-56 | HMV 120E |
| OH31/630H | 600 | 630 | 800 | 424 | 95 | 120 | 12 | 6 | Tr630x5 | M8 | - | 254 | HM 31/630 | MS 31/630 | HMV 126E |
| OH31/670H | 630 | 670 | 850 | 456 | 106 | 131 | 13 | 8 | Tr670x6 | - | G 1/8 | 340 | HM 31/670 | MS 31/670 | HMV 134E |
| OH31/710H | 670 | 710 | 900 | 467 | 106 | 135 | 13 | 8 | Tr710x7 | - | G 1/8 | 392 | HM 31/710 | MS 31/710 | HMV 142E |
| OH31/750H | 710 | 750 | 950 | 493 | 112 | 141 | 13 | 8 | Tr750x7 | - | G 1/8 | 451 | HM 31/750 | MS 31/750 | HMV 150E |
| OH31/800H | 750 | 800 | 1000 | 505 | 112 | 141 | 13 | 10 | Tr800x7 | - | G 1/8 | 535 | HM 31/800 | MS 31/800 | HMV 160E |
| OH31/850H | 800 | 850 | 1060 | 536 | 118 | 147 | 13 | 10 | Tr850x7 | - | G 1/8 | 616 | HM 31/850 | MS 31/850 | HMV 170E |
| OH31/900H | 850 | 900 | 1120 | 557 | 125 | 154 | 13 | 10 | Tr900x7 | - | G 1/8 | 667 | HM 31/900 | MS 31/900 | HMV 180E |
| OH31/950H | 900 | 950 | 1170 | 583 | 125 | 154 | 13 | 10 | Tr950x8 | - | G 1/8 | 738 | HM 31/950 | MS 31/950 | HMV 190E |
| OH31/1000H | 950 | 1000 | 1240 | 609 | 125 | 154 | 13 | 10 | Tr1000x8 | - | G 1/8 | 842 | HM 31/1000 | MS 31/1000 | HMV 200E |
| OH31/1060H | 1000 | 1060 | 1300 | 622 | 125 | 154 | 15 | 12 | Tr1060x8 | - | G 1/4 | 984 | HM 31/1060 | MS 31/1000 | HMV 212E |

Hydraulic Adapter Sleeves

Hydraulic Adapter Sleeves

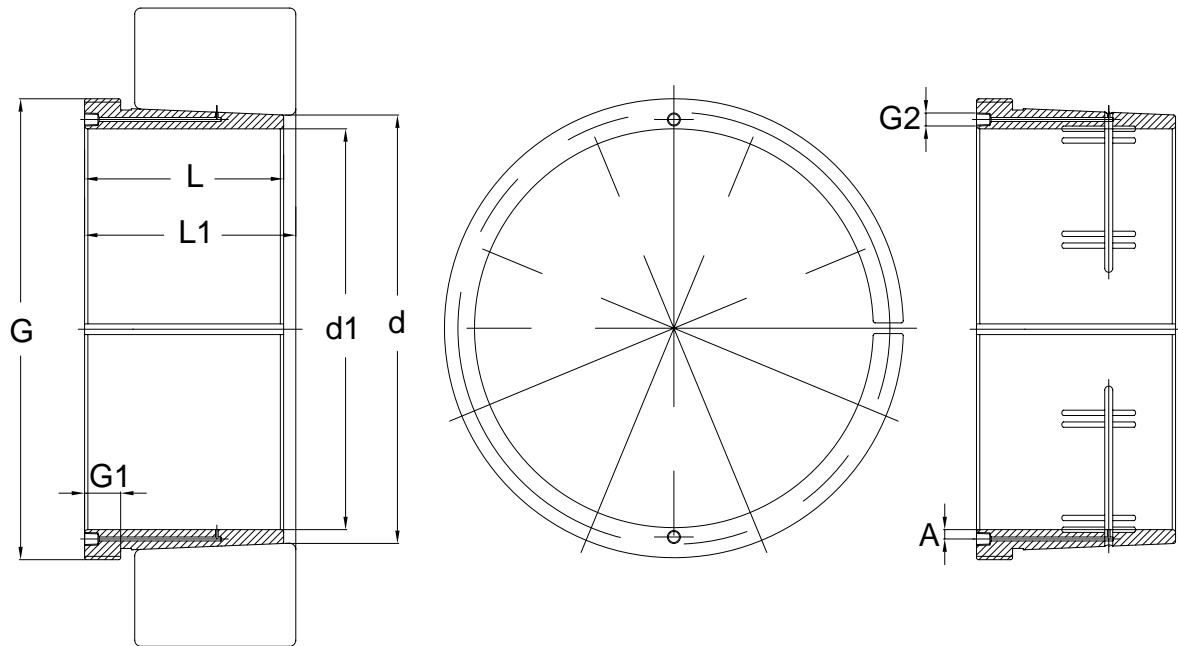


Taper 1:12
Lock Washer MBL

Taper 1:12
Locking Clamp MS30

| No. | d1 | d2 | D | L | C | C1 | B2 | A | d | G | Weight | Lock nut | Locking device | Appropriate hydraulic nut | |
|------------|------|------|------|-----|------|-----|----|-----|----------|----|--------|----------|----------------|---------------------------|----------|
| | mm | mm | mm | mm | mm | mm | mm | mm | in | kg | | | | | |
| OH3934H | 150 | 170 | 200 | 79 | 28.5 | - | 9 | 4.2 | M170×3 | M6 | - | 5.00 | KML 34 | MBL 34 | HMV 34E |
| OH3936H | 160 | 180 | 210 | 87 | 29.5 | - | 9 | 4.2 | M180×3 | M6 | - | 5.70 | KML 36 | MBL 36 | HMV 36E |
| OH3938H | 170 | 190 | 220 | 89 | 30.5 | - | 9 | 4.2 | M190×3 | M6 | - | 6.20 | KML 38 | MBL 38 | HMV 38E |
| OH3940H | 180 | 200 | 240 | 98 | 31.5 | - | 9 | 4.2 | M200×3 | M6 | - | 7.90 | KML 40 | MBL 40 | HMV 40E |
| OH3944H | 200 | 220 | 260 | 96 | 30 | 41 | 9 | 4.2 | Tr220×4 | M6 | - | 7.95 | HM 3044 | MS 3044 | HMV 44E |
| OH3948H | 220 | 240 | 290 | 101 | 34 | 46 | 9 | 4.2 | Tr240×4 | M6 | - | 11.0 | HM 3048 | MS 3052-48 | HMV 48E |
| OH3952H | 240 | 260 | 310 | 116 | 34 | 46 | 9 | 4.2 | Tr260×4 | M6 | - | 11.7 | HM 3052 | MS 3052-48 | HMV 52E |
| OH3956H | 260 | 280 | 330 | 121 | 38 | 50 | 9 | 4.2 | Tr280×4 | M6 | - | 15.3 | HM 3056 | MS 3056 | HMV 56E |
| OH3960H | 280 | 300 | 360 | 140 | 42 | 54 | 9 | 4.2 | Tr300×4 | M6 | - | 20.0 | HM 3060 | MS 3060 | HMV 60E |
| OH3964H | 300 | 320 | 380 | 140 | 42 | 55 | 9 | 4 | Tr320×5 | M6 | - | 21.5 | HM 3064 | MS 3068-64 | HMV 64E |
| OH3968H | 320 | 340 | 400 | 144 | 45 | 58 | 9 | 4 | Tr340×5 | M6 | - | 24.5 | HM 3068 | MS 3068-64 | HMV 68E |
| OH3972H | 340 | 360 | 420 | 144 | 45 | 58 | 9 | 4 | Tr360×5 | M6 | - | 25.2 | HM 3072 | MS 3072 | HMV 72E |
| OH3976H | 360 | 380 | 450 | 164 | 48 | 62 | 9 | 4 | Tr380×5 | M6 | - | 31.5 | HM 3076 | MS 3080-76 | HMV 76E |
| OH3980H | 380 | 400 | 470 | 168 | 52 | 66 | 9 | 4 | Tr400×5 | M6 | - | 35.0 | HM 3080 | MS 3080-76 | HMV 80E |
| OH3984H | 400 | 420 | 490 | 168 | 52 | 66 | 9 | 4 | Tr420×5 | M6 | - | 36.0 | HM 3084 | MS 3084 | HMV 84E |
| OH3988H | 410 | 440 | 520 | 189 | 60 | 77 | 12 | 6.5 | Tr440×5 | M8 | - | 58.0 | HM 3088 | MS 3092-88 | HMV 88E |
| OH3992H | 430 | 460 | 540 | 189 | 60 | 77 | 12 | 6.5 | Tr460×5 | M8 | - | 60.0 | HM 3092 | MS 3092-88 | HMV 92E |
| OH3996H | 450 | 480 | 560 | 200 | 60 | 77 | 12 | 6.5 | Tr480×5 | M8 | - | 66.0 | HM 3096 | MS 30/500-96 | HMV 96E |
| OH39/500H | 470 | 500 | 580 | 208 | 68 | 85 | 12 | 6.5 | Tr500×5 | M8 | - | 74.3 | HM 30/500 | MS 30/500-96 | HMV 100E |
| OH39/530H | 500 | 530 | 630 | 216 | 68 | 90 | 12 | 6 | Tr530×6 | M8 | - | 87.9 | HM 30/530 | MS 30/600-530 | HMV 106E |
| OH39/560H | 530 | 560 | 650 | 227 | 75 | 97 | 12 | 6 | Tr560×6 | M8 | - | 95.0 | HM 30/560 | MS 30/560 | HMV 112E |
| OH39/600H | 560 | 600 | 700 | 239 | 75 | 97 | 13 | 8 | Tr600×6 | - | G 1/8 | 127 | HM 30/600 | MS 30/600-530 | HMV 120E |
| OH39/630H | 600 | 630 | 730 | 254 | 75 | 97 | 12 | 6 | Tr630×6 | M8 | - | 124 | HM 30/630 | MS 30/630 | HMV 126E |
| OH39/670H | 630 | 670 | 780 | 264 | 80 | 102 | 13 | 8 | Tr670×6 | - | G 1/8 | 162 | HM 30/670 | MS 30/670 | HMV 134E |
| OH39/710H | 670 | 710 | 830 | 286 | 90 | 112 | 13 | 8 | Tr710×7 | - | G 1/8 | 183 | HM 30/710 | MS 30/710 | HMV 142E |
| OH39/750H | 710 | 750 | 870 | 291 | 90 | 112 | 13 | 8 | Tr750×7 | - | G 1/8 | 211 | HM 30/750 | MS 30/800-750 | HMV 150E |
| OH39/800H | 750 | 800 | 920 | 303 | 90 | 112 | 13 | 10 | Tr800×7 | - | G 1/8 | 259 | HM 30/800 | MS 30/800-750 | HMV 160E |
| OH39/850H | 800 | 850 | 980 | 308 | 90 | 115 | 13 | 10 | Tr850×7 | - | G 1/8 | 288 | HM 30/850 | MS 30/900-850 | HMV 170E |
| OH39/900H | 850 | 900 | 1030 | 326 | 100 | 125 | 13 | 10 | Tr900×7 | - | G 1/8 | 330 | HM 30/900 | MS 30/900-850 | HMV 180E |
| OH39/950H | 900 | 950 | 1080 | 344 | 100 | 125 | 13 | 10 | Tr950×8 | - | G 1/8 | 362 | HM 30/950 | MS 30/950 | HMV 190E |
| OH39/1000H | 950 | 1000 | 1140 | 358 | 100 | 125 | 13 | 10 | Tr1000×8 | - | G 1/8 | 407 | HM 30/1000 | MS 30/1000 | HMV 200E |
| OH39/1060H | 1000 | 1060 | 1200 | 372 | 100 | 125 | 15 | 12 | Tr1060×8 | - | G 1/4 | 490 | HM 30/1060 | MS 30/1000 | HMV 212E |

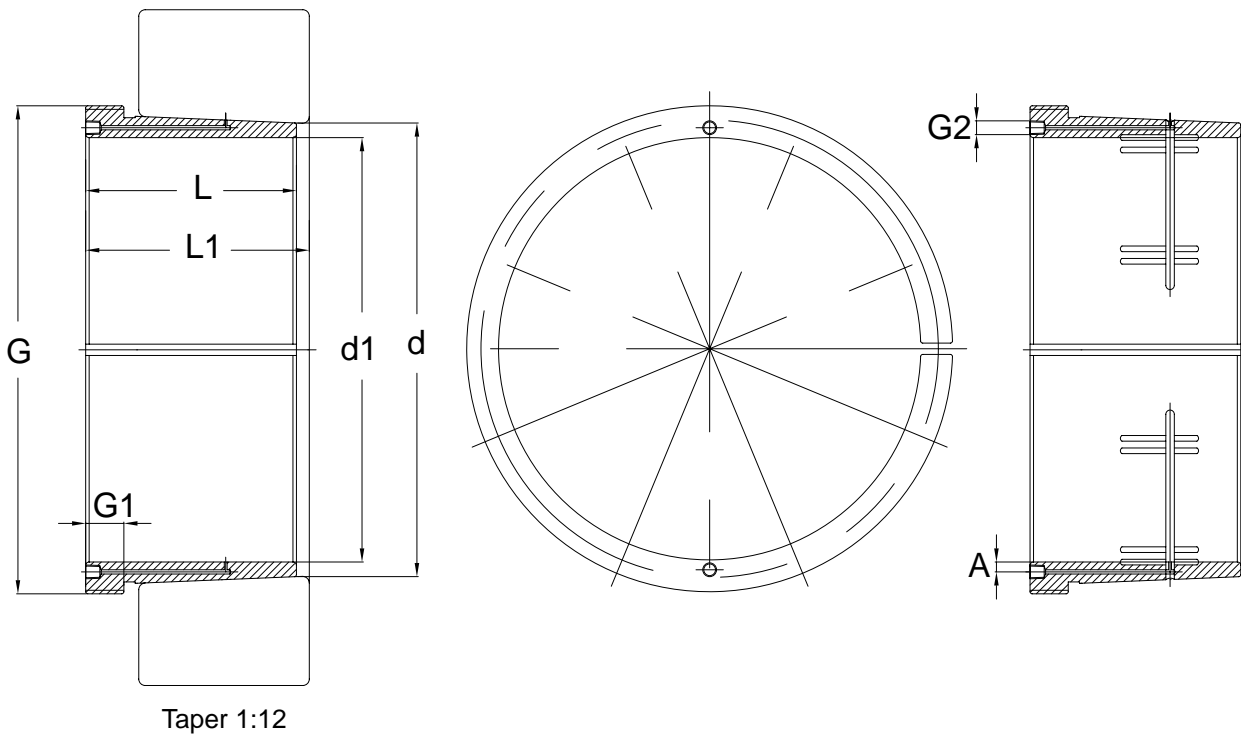
Hydraulic Withdrawal Sleeves



Taper 1:12

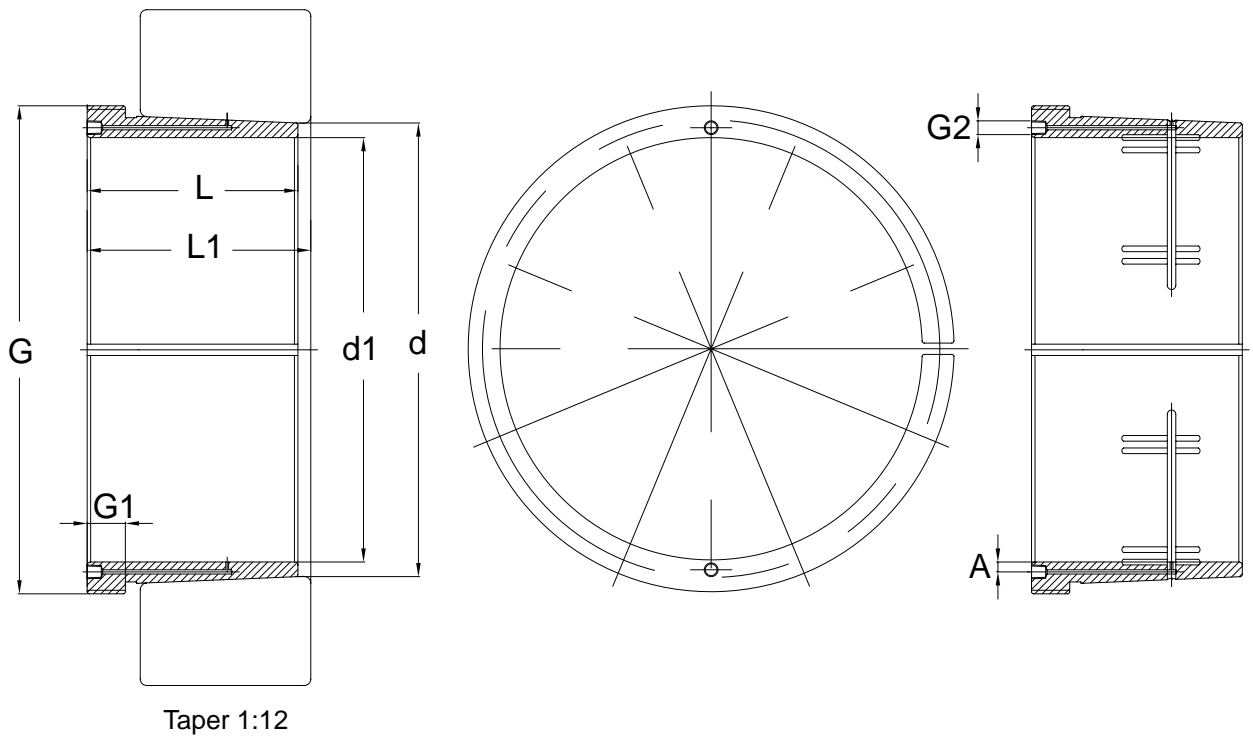
| No. | d1 | d | L | L1 | G | G1 | G2 | A | Weight | Appropriate nut for dismounting | Hydraulic nut | Nut + Locking device for locking on the shaft |
|-------------|-----|------|-----|-----|----------|----|-------|----|--------|---------------------------------|---------------|---|
| | mm | | | | | | | | kg | | | |
| AOH2244 | 200 | 220 | 130 | 136 | Tr240x4 | 20 | G 1/8 | 9 | 9.40 | HM 3048 | HMV 48E | KM 40+MB 40 |
| AOH2248 | 220 | 240 | 144 | 150 | Tr260x4 | 21 | G 1/8 | 9 | 11.5 | HM 3052 | HMV 52E | HM 3044+MS 3044 |
| AOH2252G | 240 | 260 | 155 | 161 | Tr280x4 | 23 | G 1/8 | 9 | 13.5 | HM 3056 | HMV 56E | HM 3048+MS 3052-48 |
| AOH2256G | 260 | 280 | 155 | 163 | Tr300x4 | 24 | G 1/8 | 9 | 15.0 | HM 3160 | HMV 60E | HM 3052+MS 3052-48 |
| AOH2260G | 280 | 300 | 170 | 178 | Tr320x5 | 26 | G 1/8 | 9 | 18.0 | HM 3164 | HMV 64E | HM 3056+MS 3056 |
| AOH2264G | 300 | 320 | 180 | 190 | Tr340x5 | 27 | G 1/8 | 9 | 20.0 | HM 3168 | HMV 68E | HM 3060+MS 3060 |
| AOH2344 | 200 | 220 | 181 | 189 | Tr240x4 | 30 | G 1/8 | 9 | 13.5 | HM 3048 | HMV 48E | KM 40+MB 40 |
| AOH2348 | 220 | 240 | 189 | 197 | Tr260x4 | 30 | G 1/8 | 9 | 14.0 | HM 3052 | HMV 52E | HM 3044+MS 3044 |
| AOH2352G | 240 | 260 | 205 | 213 | Tr280x4 | 30 | G 1/8 | 9 | 19.0 | HM 3056 | HMV 56E | HM 3048+MS 3052-48 |
| AOH2356G | 260 | 280 | 212 | 220 | Tr300x4 | 30 | G 1/8 | 9 | 21.5 | HM 3160 | HMV 60E | HM 3052+MS 3052-48 |
| AOH3264G | 300 | 320 | 246 | 254 | Tr340x5 | 36 | G 1/8 | 9 | 27.5 | HM 3168 | HMV 68E | HM 3060+MS 3060 |
| AOH3268G | 320 | 340 | 264 | 273 | Tr360x5 | 38 | G 1/8 | 9 | 32.0 | HM 3172 | HMV 72E | HM 3064+MS 3068-64 |
| AOH3272G | 340 | 360 | 274 | 283 | Tr380x5 | 40 | G 1/8 | 9 | 35.5 | HM 3176 | HMV 76E | HM 3068+MS 3068-64 |
| AOH3276G | 360 | 380 | 284 | 294 | Tr400x5 | 42 | G 1/8 | 9 | 42.0 | HM 3180 | HMV 80E | HM 3072+MS 3072 |
| AOH3280G | 380 | 400 | 302 | 312 | Tr420x5 | 44 | G 1/8 | 9 | 48.0 | HM 3184 | HMV 84E | HM 3076+MS 3080-76 |
| AOH3284G | 400 | 420 | 321 | 331 | Tr440x5 | 46 | G 1/8 | 9 | 54.5 | HM 3188 | HMV 88E | HM 3080+MS 3080-76 |
| AOH3288G | 420 | 440 | 330 | 341 | Tr460x5 | 48 | G 1/8 | 9 | 64.5 | HM 3192 | HMV 92E | HM 3084+MS 3084 |
| AOHX3292G | 440 | 460 | 349 | 360 | Tr480x5 | 50 | G 1/8 | 9 | 80.0 | HM 3196 | HMV 96E | HM 3088+MS 3092-88 |
| AOHX3296G | 460 | 480 | 364 | 376 | Tr500x5 | 52 | G 1/8 | 9 | 81.0 | HM 31/500 | HMV 100E | HM 3092+MS 3092-88 |
| AOHX32/500G | 480 | 500 | 393 | 405 | Tr530x6 | 54 | G 1/8 | 9 | 89.5 | HM 31/530 | HMV 106E | HM 3096+MS 30/500-96 |
| AOHX32/530G | 500 | 530 | 412 | 424 | Tr560x6 | 57 | G 1/8 | 10 | 127 | HM 31/560 | HMV 112E | HM 30/500+MS 30/500-96 |
| AOHX32/560 | 530 | 560 | 422 | 434 | Tr600x6 | 57 | G 1/8 | 11 | 143 | HM 31/600 | HMV 120E | HM 30/530+MS 30/600-530 |
| AOHX32/600G | 570 | 600 | 445 | 459 | Tr630x6 | 57 | G 1/8 | 11 | 159 | HM 31/630 | HMV 126E | HM 30/560+MS 30/560 |
| AOH32/630G | 600 | 630 | 475 | 489 | Tr670x6 | 63 | G 1/8 | 11 | 188 | HM 31/670 | HMV 134E | HM 30/600+MS 30/600-530 |
| AOH32/670G | 630 | 670 | 500 | 514 | Tr710x7 | 62 | G 1/8 | 12 | 252 | HM 31/710 | HMV 142E | HM 30/630+MS 30/630 |
| AOH32/710G | 670 | 710 | 515 | 531 | Tr750x7 | 65 | G 1/8 | 15 | 278 | HM 31/750 | HMV 150E | HM 30/670+MS 30/670 |
| AOH32/750 | 710 | 750 | 540 | 556 | Tr800x7 | 65 | G 1/8 | 15 | 320 | HM 31/800 | HMV 160E | HM 30/710+MS 30/710 |
| AOH32/800G | 750 | 800 | 550 | 568 | Tr850x7 | 67 | G 1/8 | 15 | 401 | HM 31/850 | HMV 170E | HM 30/750+MS 30/800-750 |
| AOH32/850 | 800 | 850 | 585 | 603 | Tr900x7 | 70 | G 1/8 | 15 | 461 | HM 31/900 | HMV 180E | HM 30/800+MS 30/800-750 |
| AOH32/900 | 850 | 900 | 585 | 605 | Tr950x8 | 70 | G 1/8 | 15 | 489 | HM 31/950 | HMV 190E | HM 30/850+MS 30/900-850 |
| AOH32/950 | 900 | 950 | 600 | 620 | Tr1000x8 | 70 | G 1/8 | 15 | 533 | HM 31/1000 | HMV 200E | HM 30/900+MS 30/900-850 |
| AOH32/1000 | 950 | 1000 | 630 | 652 | Tr1060x8 | 70 | G 1/8 | 15 | 608 | HM 31/1060 | HMV 212E | HM 30/950+MS 30/950 |

Hydraulic Withdrawal Sleeves



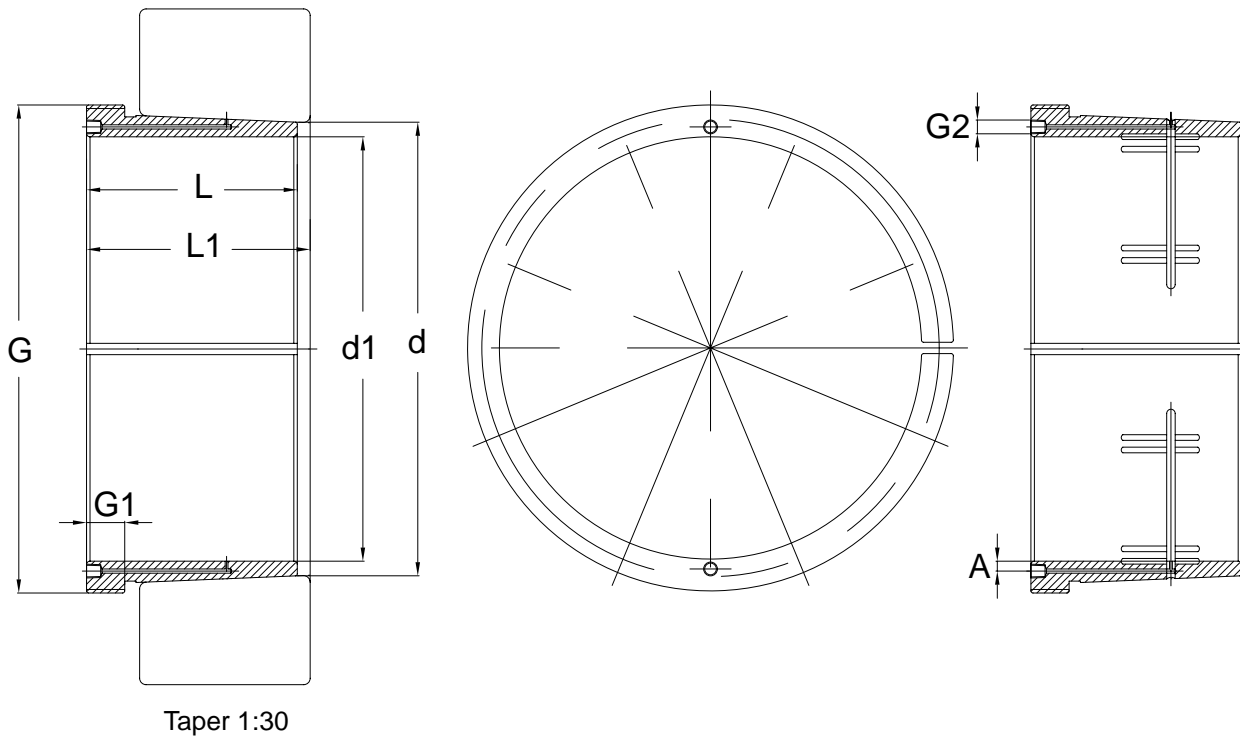
| No. | d1 | d | L | L1 | G | G1 | G2 | A | Weight | Appropriate nut for dismounting | Hydraulic nut | Nut + Locking device for locking on the shaft |
|-------------|------|------|-----|-----|----------|----|-------|-----|--------|---------------------------------|---------------|---|
| | mm | | | | | | | | kg | | | |
| AOH3044G | 200 | 220 | 111 | 117 | Tr230x4 | 20 | G 1/8 | 6.5 | 7.30 | HM 46T | HMV 46E | KM 40+MB 40 |
| AOH3048 | 220 | 240 | 116 | 123 | Tr260x4 | 21 | G 1/8 | 9 | 7.95 | HM 3052 | HMV 52E | HM 3044+MS 3044 |
| AOH3052 | 240 | 260 | 128 | 135 | Tr280x4 | 23 | G 1/8 | 9 | 9.60 | HM 3056 | HMV 56E | HM 3048+MS 3052-48 |
| AOH3056 | 260 | 280 | 131 | 139 | Tr300x4 | 24 | G 1/8 | 9 | 11.0 | HM 3060 | HMV 60E | HM 3052+MS 3052-48 |
| AOH3060 | 280 | 300 | 145 | 153 | Tr320x5 | 26 | G 1/8 | 9 | 13.0 | HM 3064 | HMV 64E | HM 3056+MS 3056 |
| AOH3064G | 300 | 320 | 149 | 157 | Tr340x5 | 27 | G 1/8 | 9 | 17.0 | HM 3068 | HMV 68E | HM 3060+MS 3060 |
| AOH3068G | 320 | 340 | 162 | 171 | Tr360x5 | 28 | G 1/8 | 9 | 19.0 | HM 3072 | HMV 72E | KM 3064+MS 3068-64 |
| AOH3072G | 340 | 360 | 167 | 176 | Tr380x5 | 30 | G 1/8 | 9 | 21.0 | HM 3076 | HMV 76E | HM 3068+MS 3068-64 |
| AOH3076G | 360 | 380 | 170 | 180 | Tr400x5 | 31 | G 1/8 | 9 | 22.5 | HM 3080 | HMV 80E | HM 3072+MS 3072 |
| AOH3080G | 380 | 400 | 183 | 193 | Tr420x5 | 33 | G 1/8 | 9 | 26.0 | HM 3084 | HMV 84E | HM 3076+MS 3076 |
| AOH3084G | 400 | 420 | 186 | 196 | Tr440x5 | 34 | G 1/8 | 9 | 28.0 | HM 3088 | HMV 88E | HM 3080+MS 3080-76 |
| AOHX3088G | 420 | 440 | 194 | 205 | Tr460x5 | 35 | G 1/8 | 9 | 31.0 | HM 3092 | HMV 92E | HM 3084+MS 3084 |
| AOHX3092G | 440 | 460 | 202 | 213 | Tr480x5 | 37 | G 1/8 | 9 | 34.0 | HM 3096 | HMV 96E | HM 3088+MS 3092-88 |
| AOHX3096G | 460 | 480 | 205 | 217 | Tr500x5 | 38 | G 1/8 | 9 | 34.0 | HM 30/500 | HMV 100E | HM 3092+MS 3092-88 |
| AOHX30/500G | 480 | 500 | 209 | 221 | Tr530x6 | 40 | G 1/8 | 9 | 41.0 | HM 30/530 | HMV 106E | HM 3096+MS 30/500-96 |
| AOHX30/530 | 500 | 530 | 230 | 242 | Tr560x6 | 45 | G 1/8 | 10 | 63.5 | HM 30/560 | HMV 112E | HM 30/500+MS 30/500-96 |
| AOHX30/560 | 530 | 560 | 240 | 252 | Tr600x6 | 45 | G 1/8 | 11 | 73.5 | HM 30/600 | HMV 120E | HM 30/530+MS 30/600-530 |
| AOHX30/600 | 570 | 600 | 245 | 259 | Tr630x6 | 45 | G 1/8 | 11 | 77.0 | HM 30/630 | HMV 126E | HM 30/560+MS 30/560 |
| AOHX30/630 | 600 | 630 | 258 | 272 | Tr670x6 | 46 | G 1/8 | 11 | 88.5 | HM 30/670 | HMV 134E | HM 30/600+MS 30/600-530 |
| AOH30/670 | 630 | 670 | 280 | 294 | Tr710x7 | 50 | G 1/8 | 12 | 125 | HM 30/710 | HMV 142E | HM 30/630+MS 30/630 |
| AOHX30/710 | 670 | 710 | 286 | 302 | Tr750x7 | 50 | G 1/8 | 15 | 138 | HM 30/750 | HMV 150E | HM 30/670+MS 30/670 |
| AOH30/750 | 710 | 750 | 300 | 316 | Tr800x7 | 50 | G 1/8 | 15 | 145 | HM 30/800 | HMV 160E | HM 30/710+MS 30/710 |
| AOH30/800 | 750 | 800 | 308 | 326 | Tr850x7 | 50 | G 1/8 | 15 | 204 | HM 30/850 | HMV 170E | HM 30/750+MS 30/800-750 |
| AOH30/850 | 800 | 850 | 325 | 343 | Tr900x7 | 53 | G 1/8 | 15 | 230 | HM 30/900 | HMV 180E | HM 30/800+MS 30/800-750 |
| AOH30/900 | 850 | 900 | 335 | 355 | Tr950x8 | 55 | G 1/8 | 15 | 250 | HM 30/950 | HMV 190E | HM 30/850+MS 30/900-850 |
| AOH30/950 | 850 | 900 | 355 | 375 | Tr1000x8 | 55 | G 1/8 | 15 | 285 | HM 30/1000 | HMV 200E | HM 30/900+MS 30/900-850 |
| AOH30/1000 | 950 | 1000 | 365 | 387 | Tr1060x8 | 57 | G 1/8 | 15 | 318 | HM 30/1060 | HMV 212E | HM 30/950+MS 30/950 |
| AOH30/1060 | 1000 | 1060 | 385 | 407 | Tr1120x8 | 60 | G 1/8 | 15 | 406 | HM 30/1120 | HMV 224E | HM 30/1000+MS 30/1000 |

Hydraulic Withdrawal Sleeves

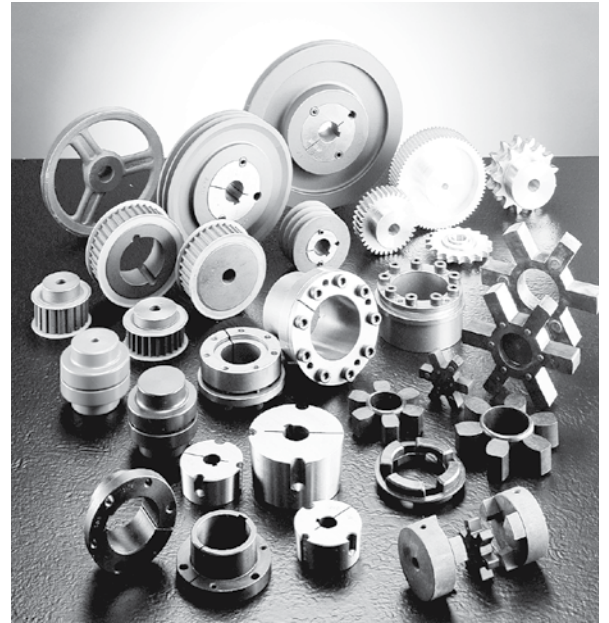
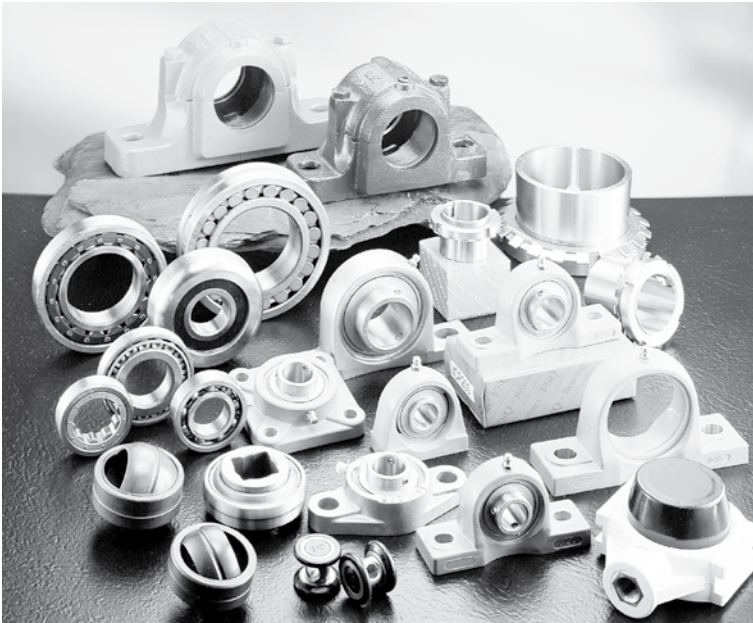


| No. | d1 | d | L | L1 | G | G1 | G2 | A | Weight | Appropriate nut for dismantling | Hydraulic nut | Nut + Locking device for locking on the shaft |
|-------------|------|------|-----|-----|----------|----|-------|----|--------|---------------------------------|---------------|---|
| | mm | | | | | | | | kg | | | |
| AOH3144 | 200 | 220 | 145 | 151 | Tr240×4 | 23 | G 1/8 | 9 | 9.30 | HM 3048 | HMV 48E | KM 40+MB 40 |
| AOH3142 | 220 | 240 | 154 | 161 | Tr260×4 | 25 | G 1/8 | 9 | 12.0 | HM 3052 | HMV 52E | HM 3044+MS 3044 |
| AOH3152G | 240 | 260 | 172 | 179 | Tr280×4 | 26 | G 1/8 | 9 | 15.5 | HM 3056 | HMV 56E | HM 3048+MS 3052-48 |
| AOH3156G | 260 | 280 | 175 | 183 | Tr300×4 | 28 | G 1/8 | 9 | 17.0 | HM 3160 | HMV 60E | HM 3052+MS 3052-48 |
| AOH3160G | 280 | 300 | 192 | 200 | Tr320×5 | 30 | G 1/8 | 9 | 20.5 | HM 3164 | HMV 64E | HM 3056+MS 3056 |
| AOH3164G | 300 | 320 | 209 | 217 | Tr340×5 | 31 | G 1/8 | 9 | 24.5 | HM 3168 | HMV 68E | HM 3060+MS 3060 |
| AOH3168G | 320 | 340 | 225 | 234 | Tr360×5 | 33 | G 1/8 | 9 | 28.5 | HM 3172 | HMV 72E | KM 3064+MS 3068-64 |
| AOH3172G | 340 | 360 | 229 | 238 | Tr380×5 | 35 | G 1/8 | 9 | 30.5 | HM 3176 | HMV 76E | HM 3068+MS 3068-64 |
| AOH3176G | 360 | 380 | 232 | 242 | Tr400×5 | 36 | G 1/8 | 9 | 33.0 | HM 3180 | HMV 80E | HM 3072+MS 3072 |
| AOH3180G | 380 | 400 | 240 | 250 | Tr420×5 | 38 | G 1/8 | 9 | 36.0 | HM 3184 | HMV 84E | HM 3076+MS 3080-76 |
| AOH3184G | 400 | 420 | 266 | 276 | Tr440×5 | 40 | G 1/8 | 9 | 43.0 | HM 3188 | HMV 88E | HM 3080+MS 3080-76 |
| AOHX3188G | 420 | 440 | 270 | 281 | Tr460×5 | 42 | G 1/8 | 9 | 46.0 | HM 3192 | HMV 92E | HM 3084+MS 3084 |
| AOHX3192G | 440 | 460 | 285 | 296 | Tr480×5 | 43 | G 1/8 | 9 | 51.5 | HM 3196 | HMV 96E | HM 3088+MS 3092-88 |
| AOHX3196G | 460 | 480 | 295 | 307 | Tr500×5 | 45 | G 1/8 | 9 | 63.0 | HM 31/500 | HMV 100E | HM 3092+MS 3092-88 |
| AOHX31/500G | 480 | 500 | 313 | 325 | Tr530×6 | 47 | G 1/8 | 9 | 66.5 | HM 31/530 | HMV 106E | HM 3096+MS 30/500-96 |
| AOH31/530 | 500 | 530 | 325 | 337 | Tr560×6 | 53 | G 1/8 | 10 | 93.5 | HM 31/560 | HMV 112E | HM 30/500+MS 30/500-96 |
| AOH31/560 | 530 | 560 | 335 | 347 | Tr600×6 | 55 | G 1/8 | 11 | 107 | HM 30/600 | HMV 120E | HM 30/530+MS 30/600-530 |
| AOHX31/600 | 570 | 600 | 355 | 369 | Tr630×6 | 55 | G 1/8 | 11 | 120 | HM 31/630 | HMV 126E | HM 30/560+MS 30/560 |
| AOH31/630 | 600 | 630 | 375 | 389 | Tr670×6 | 60 | G 1/8 | 11 | 139 | HM 31/670 | HMV 134E | HM 30/600+MS 30/600-530 |
| AOHX31/670 | 630 | 670 | 395 | 409 | Tr710×7 | 59 | G 1/8 | 12 | 189 | HM 31/710 | HMV 142E | HM 30/630+MS 30/630 |
| AOHX31/710 | 670 | 710 | 405 | 421 | Tr750×7 | 60 | G 1/8 | 15 | 207 | HM 31/750 | HMV 150E | HM 30/670+MS 30/670 |
| AOH31/750 | 710 | 750 | 425 | 441 | Tr800×7 | 60 | G 1/8 | 15 | 238 | HM 31/800 | HMV 160E | HM 30/710+MS 30/710 |
| AOH31/800 | 750 | 800 | 438 | 456 | Tr850×7 | 63 | G 1/8 | 15 | 305 | HM 31/850 | HMV 170E | HM 30/750+MS 30/800-750 |
| AOH31/850 | 800 | 850 | 462 | 480 | Tr900×7 | 62 | G 1/8 | 15 | 345 | HM 31/900 | HMV 180E | HM 30/800+MS 30/800-750 |
| AOH31/900 | 850 | 900 | 475 | 495 | Tr950×8 | 63 | G 1/8 | 15 | 379 | HM 31/950 | HMV 190E | HM 30/850+MS 30/900-850 |
| AOH31/950 | 900 | 950 | 500 | 520 | Tr1000×8 | 62 | G 1/8 | 15 | 426 | HM 31/1000 | HMV 200E | HM 30/900+MS 30/900-850 |
| AOH31/1000 | 950 | 1000 | 525 | 547 | Tr1060×8 | 63 | G 1/8 | 15 | 485 | HM 31/1060 | HMV 212E | HM 30/950+MS 30/950 |
| AOH31/1060 | 1000 | 1060 | 540 | 562 | Tr1120×8 | 65 | G 1/8 | 15 | 599 | HM 31/1120 | HMV 224E | HM 30/1000+MS 30/1000 |

Hydraulic Withdrawal Sleeves



| No. | d1 | d | L | L1 | G | G1 | G2 | A | Weight | Appropriate nut for dismounting | Hydraulic nut | Nut + Locking device for locking on the shaft |
|-------------|------|------|-----|-----|----------|----|-------|-----|--------|---------------------------------|---------------|---|
| | mm | | | | | | | | kg | | | |
| AOH24044 | 200 | 220 | 138 | 152 | Tr230×4 | 20 | G 1/8 | 6.5 | 8.20 | HM 46T | HMV 46E | KM 40+MB 40 |
| AOH24048 | 220 | 240 | 138 | 153 | Tr250×4 | 20 | G 1/8 | 6.5 | 8.05 | HM 50T | HMV 50E | HM 3044+MS 3044 |
| AOH24052G | 240 | 260 | 162 | 178 | Tr280×4 | 22 | G 1/8 | 6.5 | 12.5 | HM 3056 | HMV 56E | HM 3048+MS 3052-48 |
| AOH24056G | 260 | 280 | 162 | 179 | Tr300×4 | 24 | G 1/8 | 6.5 | 13.5 | HM 3160 | HMV 60E | HM 3052+MS 3052-48 |
| AOH24060G | 280 | 300 | 184 | 202 | Tr320×5 | 24 | G 1/8 | 6.5 | 17.0 | HM 3164 | HMV 64E | HM 3056+MS 3056 |
| AOH24064G | 300 | 320 | 184 | 202 | Tr340×5 | 24 | G 1/8 | 6.5 | 18.0 | HM 3168 | HMV 68E | HM 3060+MS 3060 |
| AOH24068 | 320 | 340 | 206 | 225 | Tr360×5 | 26 | G 1/8 | 9 | 21.5 | HM 3172 | HMV 72E | KM 3064+MS 3068-64 |
| AOH24072 | 340 | 360 | 206 | 226 | Tr380×5 | 26 | G 1/8 | 9 | 23.0 | HM 3176 | HMV 76E | HM 3068+MS 3068-64 |
| AOH24076 | 360 | 380 | 208 | 228 | Tr400×5 | 28 | G 1/8 | 9 | 25.0 | HM 3180 | HMV 80E | HM 3072+MS 3072 |
| AOH24080 | 380 | 400 | 228 | 248 | Tr420×5 | 28 | G 1/8 | 9 | 27.0 | HM 3184 | HMV 84E | HM 3076+MS 3080-76 |
| AOH24084 | 400 | 420 | 230 | 252 | Tr440×5 | 30 | G 1/8 | 9 | 29.0 | HM 3188 | HMV 88E | HM 3080+MS 3080-76 |
| AOH24088 | 420 | 440 | 242 | 264 | Tr460×5 | 30 | G 1/8 | 9 | 34.0 | HM 3192 | HMV 92E | HM 3084+MS 3084 |
| AOH24092 | 440 | 460 | 250 | 273 | Tr480×5 | 32 | G 1/8 | 9 | 34.7 | HM 3196 | HMV 96E | HM 3088+MS 3092-88 |
| AOH24096 | 460 | 480 | 250 | 273 | Tr500×5 | 32 | G 1/8 | 9 | 36.5 | HM 31/500 | HMV 100E | HM 3092+MS 3092-88 |
| AOH240/500 | 480 | 500 | 253 | 276 | Tr530×6 | 35 | G 1/8 | 9 | 43.0 | HM 31/530 | HMV 106E | HM 3096+MS 30/500-96 |
| AOH240/530G | 500 | 530 | 285 | 309 | Tr560×6 | 35 | G 1/8 | 9 | 64.5 | HM 31/560 | HMV 112E | HM 30/500+MS 30/500-96 |
| AOH240/560G | 530 | 560 | 296 | 320 | Tr600×6 | 38 | G 1/8 | 9 | 70.0 | HM 31/600 | HMV 120E | HM 30/530+MS 30/600-530 |
| AOH240/600 | 570 | 600 | 310 | 336 | Tr630×6 | 40 | G 1/8 | 9 | 108 | HM 31/630 | HMV 126E | HM 30/560+MS 30/560 |
| AOH240/630G | 600 | 630 | 330 | 356 | Tr670×6 | 40 | G 1/8 | 9 | 101 | HM 31/670 | HMV 134E | HM 30/600+MS 30/600-530 |
| AOH240/670G | 630 | 670 | 348 | 374 | Tr710×7 | 40 | G 1/8 | 12 | 140 | HM 31/710 | HMV 142E | HM 30/630+MS 30/630 |
| AOH240/710G | 670 | 710 | 360 | 386 | Tr750×7 | 45 | G 1/8 | 12 | 155 | HM 31/750 | HMV 150E | HM 30/670+MS 30/670 |
| AOH240/750G | 710 | 750 | 380 | 409 | Tr800×7 | 45 | G 1/8 | 12 | 178 | HM 31/800 | HMV 160E | HM 30/710+MS 30/710 |
| AOH240/800G | 750 | 800 | 395 | 423 | Tr850×7 | 50 | G 1/8 | 15 | 237 | HM 31/850 | HMV 170E | HM 30/750+MS 30/800-750 |
| AOH240/850G | 800 | 850 | 415 | 445 | Tr900×7 | 50 | G 1/8 | 15 | 265 | HM 31/900 | HMV 180E | HM 30/800+MS 30/800-750 |
| AOH240/900 | 850 | 900 | 430 | 475 | Tr950×8 | 55 | G 1/8 | 15 | 296 | HM 31/950 | HMV 190E | HM 30/850+MS 30/900-850 |
| AOH240/950 | 900 | 950 | 467 | 512 | Tr1000×8 | 55 | G 1/8 | 15 | 340 | HM 31/1000 | HMV 200E | HM 30/900+MS 30/900-850 |
| AOH240/1000 | 950 | 1000 | 469 | 519 | Tr1060×8 | 57 | G 1/8 | 15 | 369 | HM 31/1060 | HMV 212E | HM 30/950+MS 30/950 |
| AOH240/1060 | 1000 | 1060 | 498 | 548 | Tr1120×8 | 60 | G 1/8 | 15 | 476 | HM 31/1120 | HMV 224E | HM 30/1000+MS 30/1000 |



World premium quality:

- Precision Bearings
- GE Plain Bearings
- Adapter Sleeves
- Bearing Housings
- UCP in Stainless Steel
- UCP with Plastic Housing
- Clutch Bearings
- Sprockets & Chains
- Timing Pulleys
- V- Pulleys
- Taper Bushings
- Power Locks
- Flexible Couplings
- Gears





FAIR FRIEND ENT.GROUP

FAIRSKQ (TAIWAN) CO.,LTD.

Sales office:

No., 186, YUNG CHI ROAD, TAIPEI 110, TAIWAN

TEL:886-2-2763-9696 (30 LINES)

FAX:886-2-2768-0637, 2768-0639

E-mail: fsqsales@fairfriend.com.tw

URL: http://www.fsq.com.tw

Factory:

Yu-Shih Industrial Park Taichung Taiwan

FSQ[®]



We Bear The Rolling World



7 DISTRIBUTION CENTERS ACROSS NORTH AMERICA

Los Angeles

Tel: 562-848-6203

Toll Free: 1-800-434-6203

Chicago

Tel: 630-458-8700

Toll Free: 1-866-625-6203

Dallas

Tel: 214-420-9115

Toll Free: 1-888-477-6203

Toronto

Tel: 905-624-9948

Toll Free: 1-877-275-6304

Montréal

Tel: 514-342-6202

Toll Free: 1-866-349-6304

Edmonton

Tel: 780-486-6210

Toll Free: 1-877-454-6203

Vancouver

Tel: 604-941-6203

Toll Free: 1-866-941-6203

www.amcanbearing.com

Email: ussales@amcanbearing.com sales@amcanbearing.com

