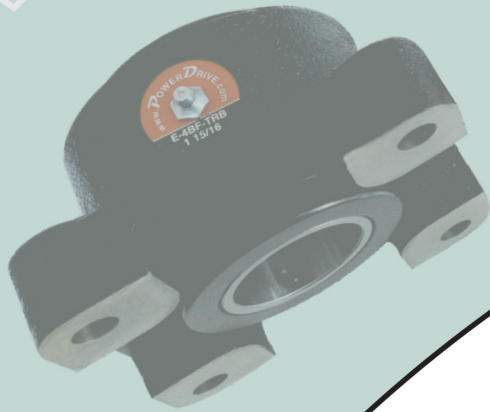


# Type "E" Tapered Roller Bearing Housed Unit

**PowerDrive LLC**

MECHANICAL P.T. COMPONENTS

[www.powerdrive.com](http://www.powerdrive.com)



**CASE HARDENED**



**SOLID BASE**

## Type "E" Tapered Roller Bearing Housed Unit

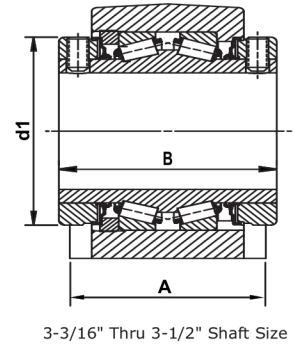
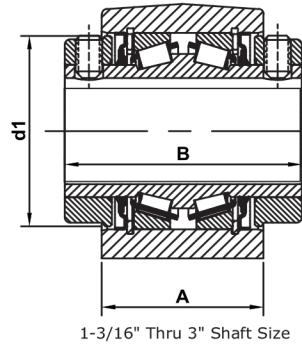
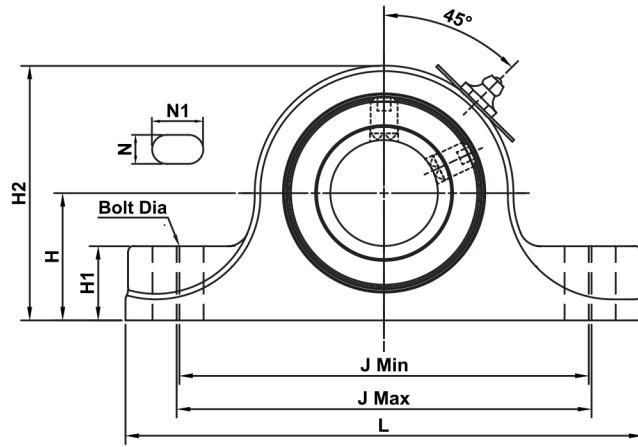


USA: 866-625-6203 CAN: 877-275-6304 [sales@amcanbearing.com](mailto:sales@amcanbearing.com)

## PowerDrive Type "E" Tapered Roller Bearing Housed Unit

Pillow Block 2-Bolt Base

**SOLID BASE & CASE HARDENED**



### Dimensions in Inches Unless Otherwise Noted

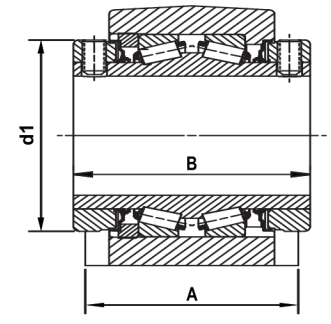
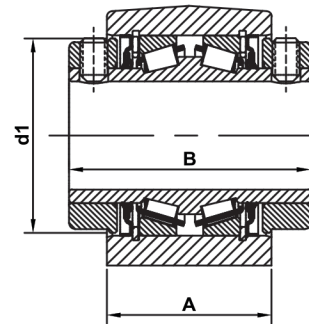
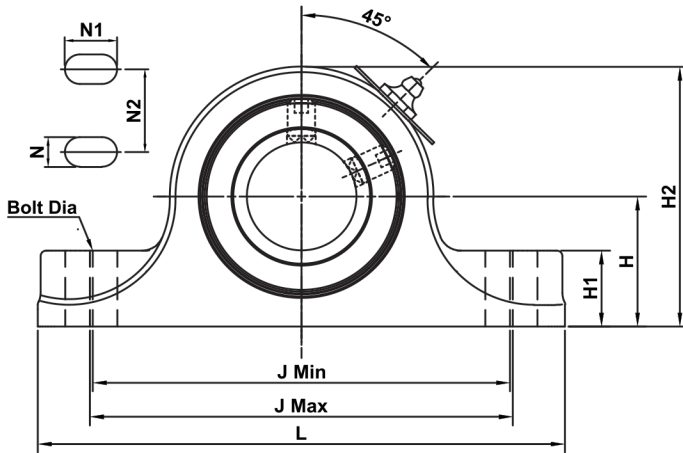
Part Number	Shaft Size	B	L	A	J		Bolt Dia.	N	N <sub>1</sub>	H	H <sub>1</sub>	H <sub>2</sub>	d <sub>1</sub>	Shaft Size	Weight LBS (Approx)
					Min.	Max.									
E-P2B-TRB-1 3/16	1-3/16	2-3/4	6	1-7/8	4-3/4	4-13/16	1/2	9/16	19/32	1-7/8	7/8	3	2-1/4	1-3/16	4
E-P2B-TRB-1 1/4	1-1/4													1-1/4	4
E-P2B-TRB-1 3/8	1-3/8	3	7-3/8	2-1/8	5-5/8	5-7/8	1/2	5/8	3/4	1-7/8	1-1/8	3-3/4	2-3/4	1-3/8	7
E-P2B-TRB-1 7/16	1-7/16													1-7/16	7
E-P2B-TRB-35MM	35 mm													35 mm	7
E-P2B-TRB-1 1/2	1-1/2	3-3/8	7-7/8	2-3/8	6-1/8	6-3/8	1/2	5/8	3/4	2-1/8	1-1/4	4-1/4	3-3/16	1-1/2	10
E-P2B-TRB-1 5/8	1-5/8													1-5/8	10
E-P2B-TRB-1 11/16	1-11/16													1-11/16	10
E-P2B-TRB-40MM	40 mm													40 mm	10
E-P2B-TRB-1 3/4	1-3/4	3-1/2	8-7/8	2-1/2	6-7/8	7-1/8	5/8	3/4	7/8	2-1/4	1-5/16	4-1/2	3-7/16	1-3/4	12
E-P2B-TRB-1 7/8	1-7/8													1-7/8	12
E-P2B-TRB-1 15/16	1-15/16													1-15/16	12
E-P2B-TRB-2	2													2	12
E-P2B-TRB-45MM	45 mm													45 mm	12
E-P2B-TRB-50MM	50 mm	50 mm	12												
E-P2B-TRB-2 3/16	2-3/16	3-3/4	9-5/8	2-5/8	7-5/8	7-7/8	5/8	3/4	7/8	2-1/2	1-1/2	5	3-3/4	2-3/16	15
E-P2B-TRB-55MM	55 mm													55 mm	15
E-P2B-TRB-2 1/4	2-1/4	4	10-1/2	2-7/8	8-3/8	8-5/8	5/8	3/4	7/8	2-3/4	1-5/8	5-23/32	4-1/16	2-1/4	24
E-P2B-TRB-2 7/16	2-7/16													2-7/16	23
E-P2B-TRB-2 1/2	2-1/2													2-1/2	23
E-P2B-TRB-60MM	60 mm													60 mm	23
E-P2B-TRB-65MM	65 mm													65 mm	23
E-P2B-TRB-2 11/16	2-11/16	4-1/2	12	3	9-5/16	9-11/16	3/4	27/32	1	3-1/8	1-7/8	6-1/4	4-23/32	2-11/16	28
E-P2B-TRB-2 3/4	2-3/4													2-3/4	28
E-P2B-TRB-2 15/16	2-15/16													2-15/16	29
E-P2B-TRB-3	3													3	29
E-P2B-TRB-70MM	70 mm	5	14	3-1/2	10-13/16	11-3/16	7/8	1	1-3/16	3-3/4	2-1/4	7-1/2	5-17/32	70 mm	28
E-P2B-TRB-75MM	75 mm													75 mm	29
E-P2B-TRB-3 3/16	3-3/16													3-3/16	46
E-P2B-TRB-3 1/4	3-1/4													3-1/4	46
E-P2B-TRB-3 7/16	3-7/16													3-7/16	45
E-P2B-TRB-3 1/2	3-1/2	3-1/2	44												
E-P2B-TRB-80MM	80 mm	5	14	3-1/2	10-13/16	11-3/16	7/8	1	1-3/16	3-3/4	2-1/4	7-1/2	5-17/32	80 mm	46
E-P2B-TRB-85MM	85 mm													85 mm	45
E-P2B-TRB-90MM	90 mm													90 mm	44

Note: All units have a 1/8" pipe thread grease fitting

## PowerDrive Type "E" Tapered Roller Bearing Housed Unit

Pillow Block 4-Bolt Base

**SOLID BASE & CASE HARDENED**



### Dimensions in Inches Unless Otherwise Noted

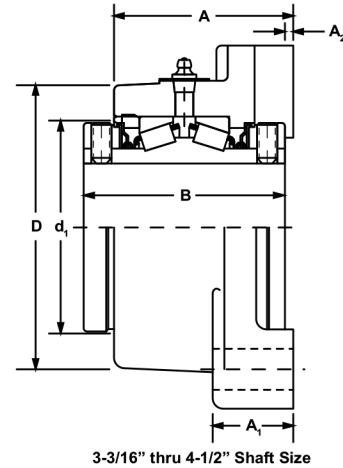
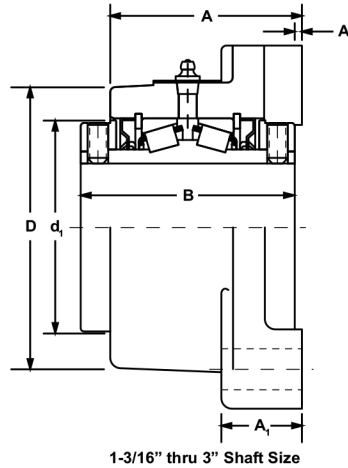
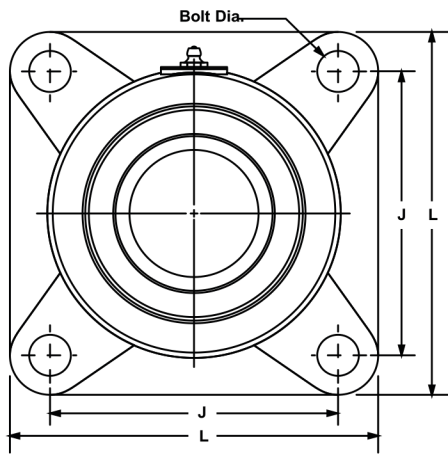
Part Number	Shaft Size	B	L	A	J		Bolt Dia.	N	N <sub>1</sub>	N <sub>2</sub>	H	H <sub>1</sub>	H <sub>2</sub>	d <sub>1</sub>	Shaft Size	Weight LBS (Approx)
					Min.	Max.										
E-P4B-TRB-2 1/4	2-1/4	4	10-1/2	3-1/2	8-5/16	8-11/16	5/8	11/16	7/8	1-7/8	2-3/4	1-5/8	5-23/32	4-1/16	2-1/4	23
E-P4B-TRB-2 7/16	2-7/16														22	
E-P4B-TRB-2 1/2	2-1/2														2-1/2	22
E-P4B-TRB-60MM	60 mm														60 mm	22
E-P4B-TRB-65MM	65 mm														65 mm	22
E-P4B-TRB-2 11/16	2-11/16	4-1/2	12	4	9-3/16	9-13/16	5/8	11/16	1	2 1/8	3-1/8	1-7/8	6-1/4	4-23/32	2-11/16	30
E-P4B-TRB-2 3/4	2-3/4														2-3/4	29
E-P4B-TRB-2 15/16	2-15/16														2-15/16	28
E-P4B-TRB-3	3														3	28
E-P4B-TRB-70MM	70 mm														70 mm	30
E-P4B-TRB-75MM	75 mm	75 mm	29													
E-P4B-TRB-3 3/16	3-3/16	5	13-1/2	4-1/2	10-3/4	11-1/4	3/4	15/16	1-3/16	2-3/8	3-3/4	2-1/4	7-1/2	5-17/32	3-3/16	47
E-P4B-TRB-3 1/4	3-1/4														3-1/4	46
E-P4B-TRB-3 7/16	3-7/16														3-7/16	45
E-P4B-TRB-3 1/2	3-1/2														3-1/2	44
E-P4B-TRB-80MM	80 mm														80 mm	47
E-P4B-TRB-85MM	85 mm	85 mm	46													
E-P4B-TRB-90MM	90 mm	90 mm	45													
E-P4B-TRB-3 15/16	3-15/16	6-1/4	15-1/4	4-1/2	12-1/4	12-3/4	3/4	7/8	1-1/8	2-1/4	4-1/4	2-7/16	8-1/2	6-1/16	3-15/16	71
E-P4B-TRB-4	4														4	71
E-P4B-TRB-100MM	100 mm														100 mm	71
E-P4B-TRB-4 7/16	4-7/16														4-7/16	91
E-P4B-TRB-4 1/2	4-1/2														4-1/2	90
E-P4B-TRB-110MM	110 mm	6-3/4	16-5/8	4-5/8	13-5/16	13-11/16	3/4	15/16	1-1/8	2-1/2	4-3/4	2-3/4	9-3/8	6-47/64	110 mm	91
E-P4B-TRB-115MM	115 mm														115 mm	90
E-P4B-TRB-4 15/16	4-15/16														4-15/16	134
E-P4B-TRB-5	5	7-1/4	18-1/2	5-1/8	15-1/4	15-3/4	7/8	1	1-1/4	2-7/8	5-1/2	3	10-7/8	7-1/2	5	132
E-P4B-TRB-125MM	125 mm														125 mm	132

Note: All units have a 1/8" pipe thread grease fitting

## PowerDrive Type "E" Tapered Roller Bearing Housed Unit

Flange Block 4-Bolt Base

**CASE HARDENED**



### Dimensions in Inches Unless Otherwise Noted

Part Number	Shaft Size	B	L	A	J	A <sub>2</sub>	Bolt Dia.	A <sub>1</sub>	D	d <sub>1</sub>	Shaft Size	Weight LBS (Approx)
E-4BF-TRB-1 3/16	1-3/16	2-3/4	3-3/4	2-11/32	2-7/8	1/16	3/8	1	2-15/16	2-1/4	1-3/16	4
E-4BF-TRB-1 1/4	1-1/4										4	
E-4BF-TRB-1 3/8	1-3/8										7	
E-4BF-TRB-1 7/16	1-7/16										7	
E-4BF-TRB-35MM	35 mm										7	
E-4BF-TRB-1 1/2	1-1/2	3-3/8	5-3/8	2-31/32	4-1/8	1/8	1/2	1-3/16	4-3/16	3-3/16	1-1/2	11
E-4BF-TRB-1 5/8	1-5/8										11	
E-4BF-TRB-1 11/16	1-11/16										11	
E-4BF-TRB-40MM	40 mm										11	
E-4BF-TRB-1 3/4	1-3/4										12	
E-4BF-TRB-1 7/8	1-7/8	3-1/2	5-5/8	3-3/32	4-3/8	1/8	1/2	1-3/16	4-7/16	3-7/16	1-7/8	12
E-4BF-TRB-1 15/16	1-15/16										12	
E-4BF-TRB-2	2										12	
E-4BF-TRB-45MM	45 mm										12	
E-4BF-TRB-50MM	50 mm										12	
E-4BF-TRB-2 3/16	2-3/16	3-3/4	6-1/4	3-9/32	4-7/8	1/8	5/8	1-3/8	4-7/8	3-3/4	2-3/16	15
E-4BF-TRB-55MM	55 mm										15	
E-4BF-TRB-2 1/4	2-1/4										21	
E-4BF-TRB-2 7/16	2-7/16										20	
E-4BF-TRB-2 1/2	2-1/2										19	
E-4BF-TRB-60MM	60 mm	4	6-7/8	3-9/16	5-3/8	3/16	5/8	1-1/2	5-5/16	4-1/16	2-1/2	19
E-4BF-TRB-65MM	65 mm										20	
E-4BF-TRB-2 11/16	2-11/16										28	
E-4BF-TRB-2 3/4	2-3/4										28	
E-4BF-TRB-2 15/16	2-15/16										27	
E-4BF-TRB-3	3	4-1/2	7-3/4	3-15/16	6	3/16	3/4	1-5/8	6	4-23/32	3	26
E-4BF-TRB-70MM	70 mm										29	
E-4BF-TRB-75MM	75 mm										26	
E-4BF-TRB-3 3/16	3-3/16										52	
E-4BF-TRB-3 1/4	3-1/4										51	
E-4BF-TRB-3 7/16	3-7/16	5	9-1/4	4-1/2	7	1/4	3/4	1-7/8	7-1/4	5-1/2	3-7/16	50
E-4BF-TRB-3 1/2	3-1/2										50	
E-4BF-TRB-80MM	80 mm										52	
E-4BF-TRB-85MM	85 mm										50	
E-4BF-TRB-90MM	90 mm										50	
E-4BF-TRB-3 15/16	3-15/16	6-1/4	10-1/4	5-5/8	7-3/4	1/4	7/8	2-1/8	8-1/4	6	3-15/16	75
E-4BF-TRB-4	4										75	
E-4BF-TRB-100MM	100 mm										75	
E-4BF-TRB-4 7/16	4-7/16										90	
E-4BF-TRB-4 1/2	4-1/2										90	
E-4BF-TRB-110MM	110 mm	6-3/4	10-7/8	5-15/16	8-3/4	11/32	7/8	2-7/16	8-3/4	6-29/64	110 mm	90
E-4BF-TRB-115MM	115 mm										90	

Note: All units have a 1/8" pipe thread grease fitting

# Type "E" Tapered Roller Bearing Housed Unit

**SOLID BASE & CASE HARDENED**



## 7 DISTRIBUTION CENTERS ACROSS NORTH AMERICA

### Los Angeles

Tel: 562-848-6203

Toll Free: 1-800-434-6203

### Chicago

Tel: 630-458-8700

Toll Free: 1-866-625-6203

### Dallas

Tel: 214-420-9115

Toll Free: 1-888-477-6203

### Toronto

Tel: 905-624-9948

Toll Free: 1-877-275-6304

### Montréal

Tel: 514-342-6202

Toll Free: 1-866-349-6304

### Edmonton

Tel: 780-486-6210

Toll Free: 1-877-454-6203

### Vancouver

Tel: 604-941-6203

Toll Free: 1-866-941-6203

[www.amcanbearing.com](http://www.amcanbearing.com)

Email: [ussales@amcanbearing.com](mailto:ussales@amcanbearing.com)

[sales@amcanbearing.com](mailto:sales@amcanbearing.com)

**Your Complete Solution For Power Transmission.**