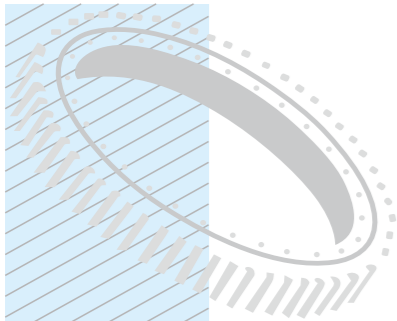




SoCare®

Slew Ring Catalog





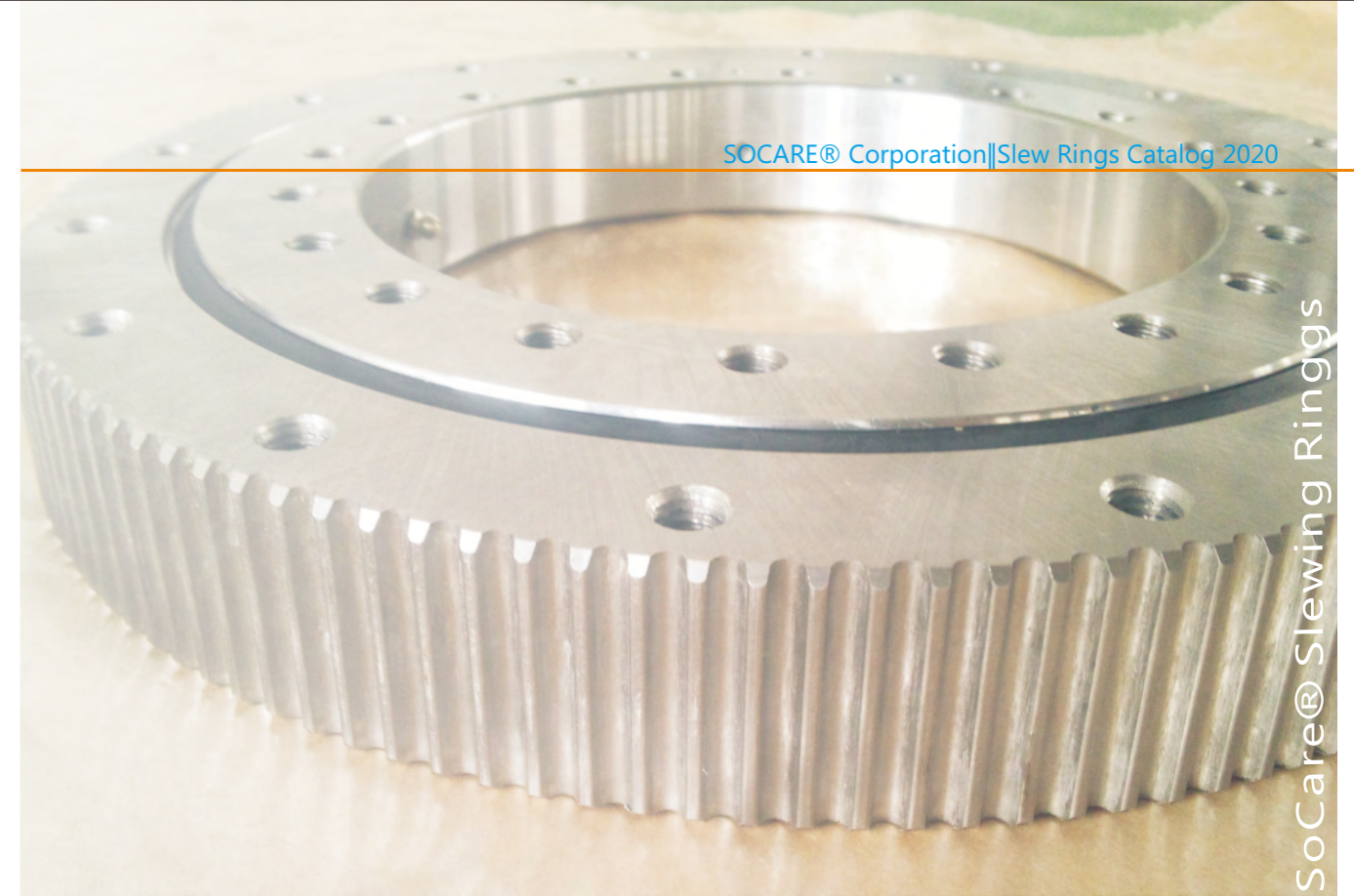
SOCARE®

About SoCare®:

The SoCare® brand is synonymous with quality. Now, we have become an even greater resource for our business partners. Due to embracing technical advances, product support, and service, we have become a truly solutions-oriented supplier. SoCare® is creating greater value for our partners.

These advances all work together to bring our customers the added benefit of higher productivity. In addition, we provide application specific products, leading edge design simulation tools, on sight engineering support, plant asset efficiency programs, and advanced supply chain management.

With SoCare® you can expect more!



SOCARE® Slewing Rings

Slewing ring bearings are large-size rolling bearings that can accommodate axial, radial and moment loads acting either singly or in combination and in any direction. They can perform both slewing (oscillating) movements as well as rotational movements.

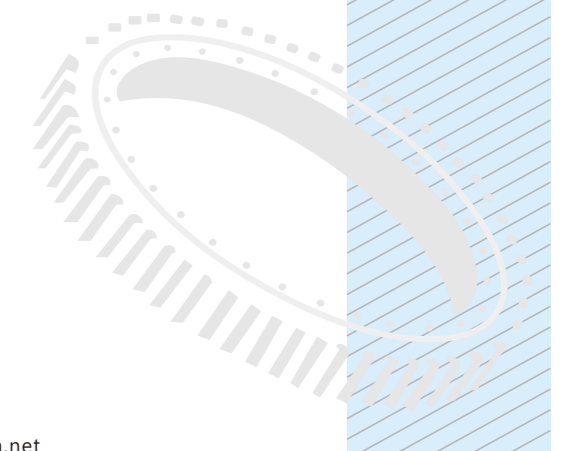
A slewing ring bearing consists of an inner ring, an outer ring and rolling elements (balls or cylindrical rollers) that are separated by polyamide spacers. The rings, one of which usually incorporates a gear, are provided with holes to accommodate attachment bolts. The holes may be threaded. Generally, only the raceways in the rings are hardened and precision-ground. Integral seals made of acrylonitrile-butadiene rubber (NBR) keep the lubricant in, and contaminants out of the bearing. Slewing ring bearings are re-lubricated through grease fittings to reduce maintenance and operating costs.

Compared to traditional pivot arrangements, slewing ring bearing arrangements provide many design and performance advantages. The compactness and large inner diameter simplify the design of the bearing arrangement and its associated components. The low sectional height of these bearings means that the pinion lever can be kept short. In most cases only flat mounting surfaces on the associated components are needed.

Slewing ring bearings were originally designed to be mounted only on horizontal support structure, but can now be used successfully in vertical bearing arrangements.

Slewing ring bearings perform extremely well in a variety of applications such as:

- ▣ Access platforms
- ▣ Bucket wheel excavators
- ▣ Conveyor booms
- ▣ Cranes of all type
- ▣ Small, medium and large excavators
- ▣ Indexing tables
- ▣ Ladle turrets
- ▣ Offshore applications
- ▣ Robots
- ▣ Railway bogies
- ▣ Rotary platforms
- ▣ Stackers
- ▣ Solar mirrors
- ▣ Tunnel boring machines
- ▣ Wind turbines







SoCare®
Quality Creates Value!

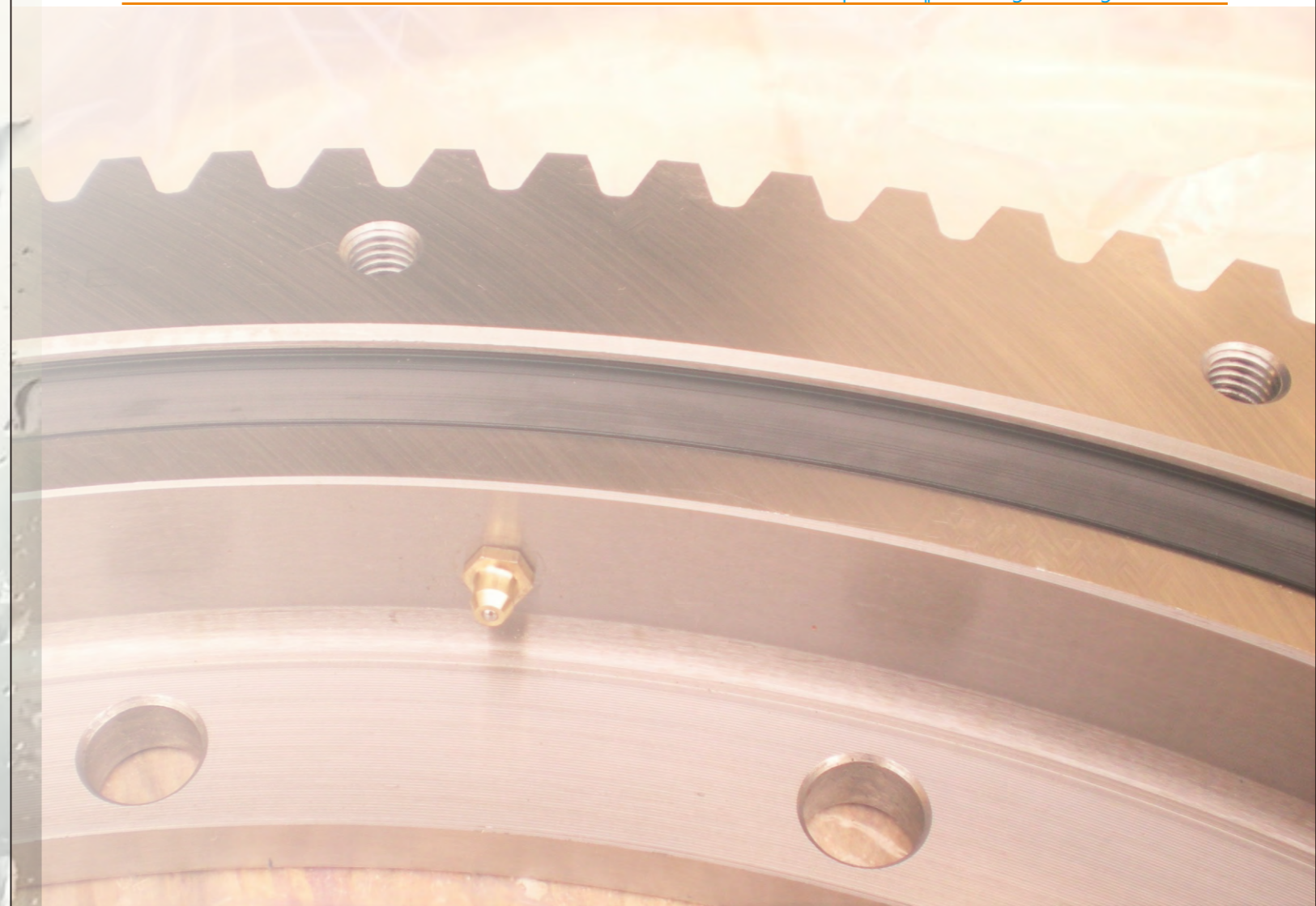


Table of Contents

© Bearing Tables & Ratings	Page Number
©SCB-RK Series	07-12
©SCB-HS Series	13-16
©Pinion for SCB-RK, SCB-HS & SCB-MT Series	17-18
©SCB-HT Series	19-22
©SCB-MT Series	25-32
©SCB-XT Series	35-42
©SCB-KH Series	45-48
©SCB-DT Series	49-54
©SCB-XR Series	57-62
©SCB-TR Series	65-70



SCB-RK Series

Introduction

SCB-RK bearings have flanged cross-section rings—either both rings or one ring.
 OD size range : 20"- 47"
 Best for applications requiring larger diameter bearings at a reduced weight.

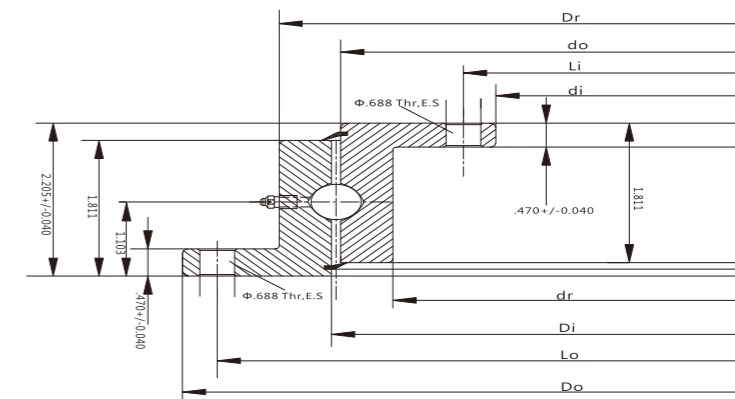
Construction

- Deep groove gothic arch
- 4 point contact
- Sealed
- Ring Configuration:
 Non geared
 External gear
 Internal gear
- Gear detail:
 Involute Stub
 20 deg
 AGMA8 class (Contact SoCare® if you need higher precision ,AGMA8-AGMA11 even AGMA14 could be available for SoCare® which is subject to the bearing size.)
 .005"-.015" allowable backlash
- Four fittings for lubrication

Applications

- Rotary table
- Positioner
- Material handling
- Conveyor
- Stretch wrap equipment

↘ No Gear



SOCARE® No.	KAYDON® No.	OUTLINE DIMENSIONS (IN) AND WEIGHT(LBS)						G(LBS) Approx.
		Do	di	Dr	Di	do	dr	
SCB-RK518	RK6-16P1Z	20.390	11.970	17.870	16.220	16.140	14.490	58
SCB-RK648	RK6-22P1Z	25.510	17.090	22.990	21.340	21.260	19.610	76
SCB-RK748	RK6-25P1Z	29.450	21.030	26.930	25.280	25.200	23.550	89
SCB-RK848	RK6-29P1Z	33.390	24.970	30.870	29.220	29.140	27.490	104
SCB-RK948	RK6-33P1Z	37.320	28.900	34.800	33.150	33.070	31.420	118
SCB-RK1048	RK6-37P1Z	41.260	32.840	38.740	37.090	37.010	35.360	132
SCB-RK1198	RK6-43P1Z	47.170	38.750	44.650	43.000	42.920	41.270	153
Tolerances		±.040	±.040	+ .000 - .080	Ref.	Ref.	+ .080 - .000	

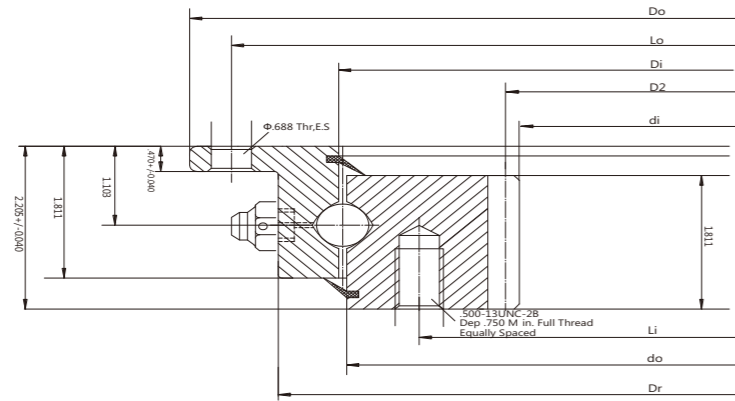
SOCARE® No.	KAYDON® No.	MOUNTING HOLES				Gear Data INV.STUB,α=20°				Moment Rating C _{rm} (ft-lbs)
		OUTER RING		INNER RING		D2 (in)	Pd (in)	Z2	Fz (lbs)	
		Lo	no	Li	ni					
SCB-RK518	RK6-16P1Z	19.250	8	13.130	12					22,700
SCB-RK648	RK6-22P1Z	24.380	12	18.130	15					37,700
SCB-RK748	RK6-25P1Z	28.380	12	22.130	18					49,800
SCB-RK848	RK6-29P1Z	32.250	15	26.130	18					54,200
SCB-RK948	RK6-33P1Z	36.250	18	30.000	18					56,500
SCB-RK1048	RK6-37P1Z	40.130	18	34.000	20					65,200
SCB-RK1198	RK6-43P1Z	46.000	18	39.880	24					75,500

Contact SoCare® about custom features, configurations and construction.
 (mounting holes, materials, coating, internal clearance)

Statement:Kaydon® being registered name of Kaydon Corporation.



Internal Gear

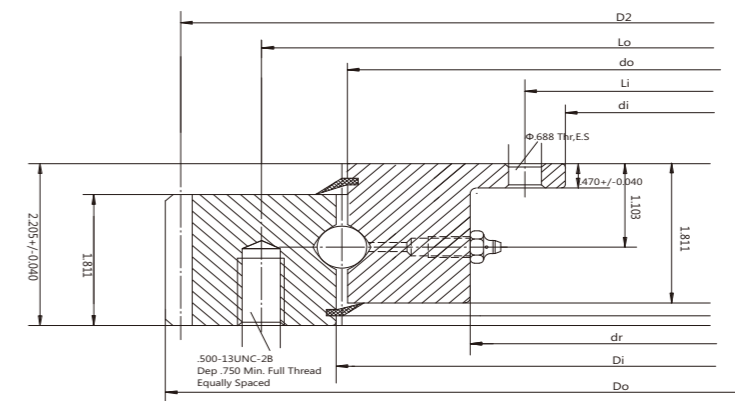


SOCARE® No.	KAYDON® No.	OUTLINE DIMENSIONS(IN) AND WEIGHT(LBS)						G (LBS) Approx.
		Do	di	Dr	Di	do	dr	
SCB-RKN518	RK6-16N1Z	20.390	12.850	17.870	16.220	16.140		65
SCB-RKN648	RK6-22N1Z	25.510	17.600	22.990	21.340	21.260		90
SCB-RKN748	RK6-25N1Z	29.450	21.600	26.930	25.280	25.200		106
SCB-RKN848	RK6-29N1Z	33.390	25.600	30.870	29.220	29.140		121
SCB-RKN948	RK6-33N1Z	37.320	29.133	34.800	33.150	33.070		148
SCB-RKN1048	RK6-37N1Z	41.260	33.133	38.740	37.090	37.010		165
SCB-RKN1198	RK6-43N1Z	47.170	39.133	44.650	43.000	42.920		188
Tolerances		±.040	+.030 -.000	+.000 -.080	Ref.	Ref.	Ref.	

SOCARE® No.	KAYDON® No.	MOUNTING HOLES				Gear Data INV.STUB,α=20°				Moment Rating Crm (ft-lbs)
		OUTER RING		INNER RING		D2 (in)	Pd (in)	Z2	Fz (lbs)	
		Lo	no	Li	ni					
SCB-RKN518	RK6-16N1Z	19.250	8	14.880	12	13.250	4	53	6,800	22,700
SCB-RKN648	RK6-22N1Z	24.380	10	19.630	15	18.000	4	72	6,530	37,700
SCB-RKN748	RK6-25N1Z	28.380	12	23.630	18	22.000	4	88	6,400	49,800
SCB-RKN848	RK6-29N1Z	32.250	15	27.630	18	26.000	4	104	6,300	54,200
SCB-RKN948	RK6-33N1Z	36.250	18	31.500	18	29.667	3	89	8,520	56,500
SCB-RKN1048	RK6-37N1Z	40.130	18	35.500	20	33.667	3	101	8,420	65,200
SCB-RKN1198	RK6-43N1Z	46.000	18	41.500	24	39.667	3	119	8,340	75,500

Contact SoCare® about custom features, configurations and construction. (mounting holes, materials, coating, internal clearance)

External Gear



SOCARE® No.	KAYDON® No.	OUTLINE DIMENSIONS(IN) AND WEIGHT(LBS)						G(LBS) Approx.
		Do	di	Dr	Di	do	dr	
SCB-RKE505	RK6-16E1Z	19.900	11.970		16.220	16.140	14.490	72
SCB-RKE638	RK6-22E1Z	25.150	17.090		21.340	21.260	19.610	96
SCB-RKE740	RK6-25E1Z	29.150	21.030		25.280	25.200	23.550	115
SCB-RKE835	RK6-29E1Z	32.900	24.970		29.220	29.140	27.490	128
SCB-RKE945	RK6-33E1Z	37.200	28.900		33.150	33.070	31.420	152
SCB-RKE1046	RK6-37E1Z	41.200	32.840		37.090	37.010	35.360	172
SCB-RKE1190	RK6-43E1Z	46.867	38.750		43.000	42.920	41.270	189
Tolerances		+.000 -.030	±.040	Ref.	Ref.	Ref.	Ref.	

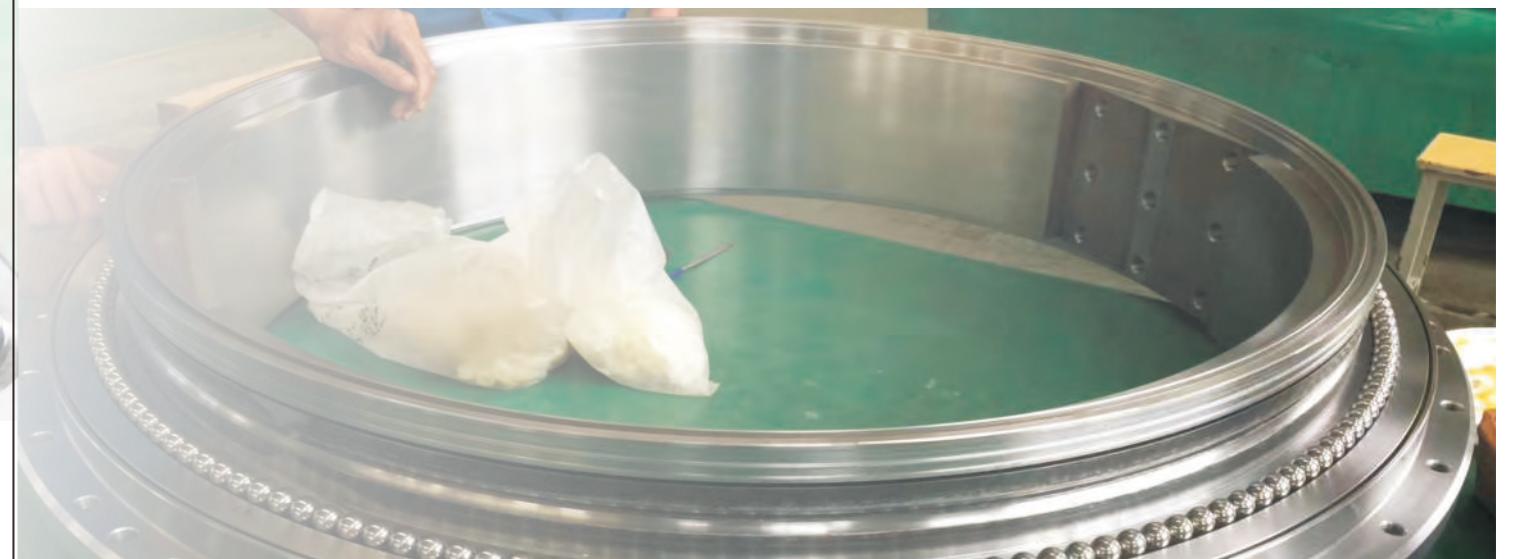
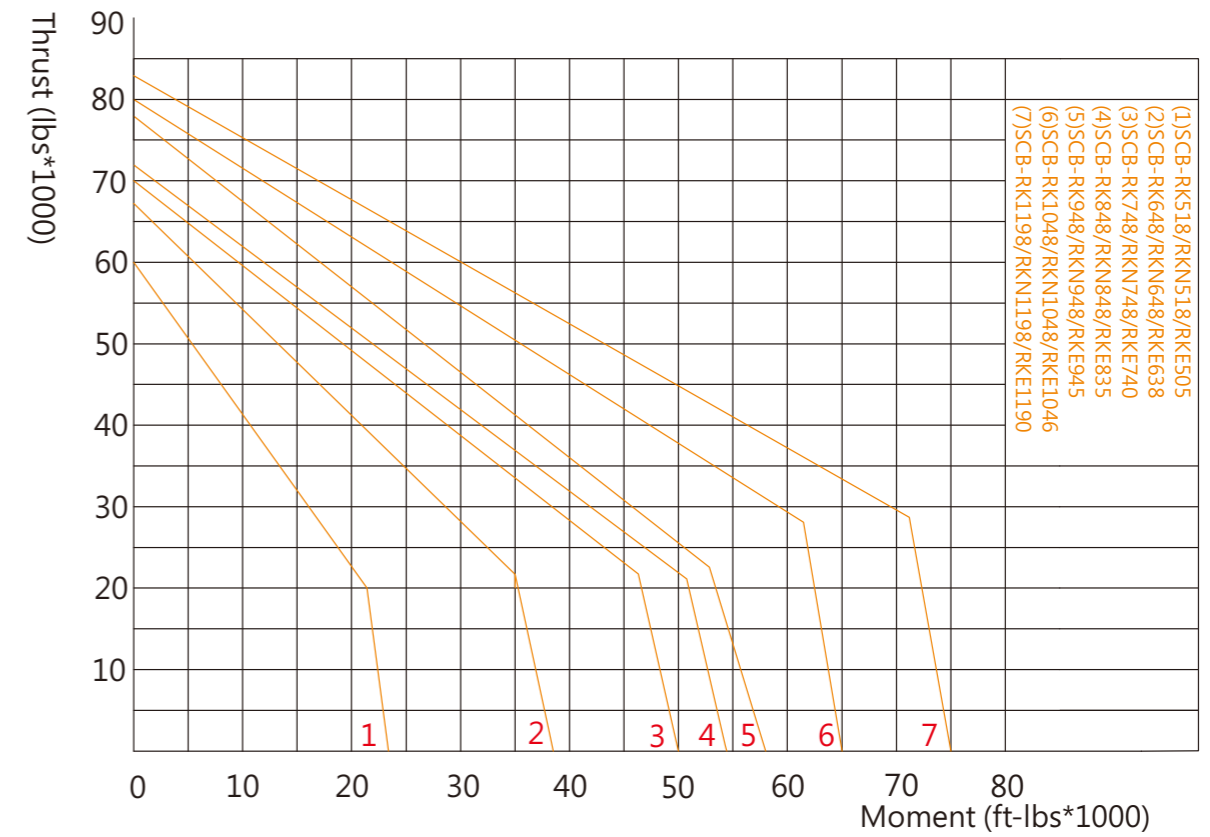
SOCARE® No.	KAYDON® No.	MOUNTING HOLES				Gear Data INV.STUB,α=20°				Moment Rating Crm (ft-lbs)
		OUTER RING		INNER RING		D2 (in)	Pd (in)	Z2	Fz (lbs)	
		Lo	no	Li	ni					
SCB-RKE505	RK6-16E1Z	18.000	8	13.130	12	19.500	4	78	5,560	22,700
SCB-RKE638	RK6-22E1Z	23.250	12	18.130	15	24.750	4	99	5,650	37,700
SCB-RKE740	RK6-25E1Z	27.250	15	22.130	18	28.750	4	115	5,700	49,800
SCB-RKE835	RK6-29E1Z	31.000	18	26.130	18	32.500	4	130	5,740	54,200
SCB-RKE945	RK6-33E1Z	35.000	18	30.000	18	36.667	3	110	7,580	56,500
SCB-RKE1046	RK6-37E1Z	38.880	18	34.000	20	40.667	3	122	7,620	65,200
SCB-RKE1190	RK6-43E1Z	46.630	20	39.880	24	46.333	3	139	7,680	75,500

Contact SoCare® about custom features, configurations and construction. (mounting holes, materials, coating, internal clearance)



SCB-RK Load Ratings**

**Ratings based on bearing capability, consult SoCare® engineering to ensure design criteria.





SCB-HS series

Introduction

SCB-HS bearings resemble the SCB-RK series in size. The SCB-HS ring configuration is a rectangular cross section.

OD size range : 20"-47"

Provides greater stiffness and load capacity over the SCB-RK

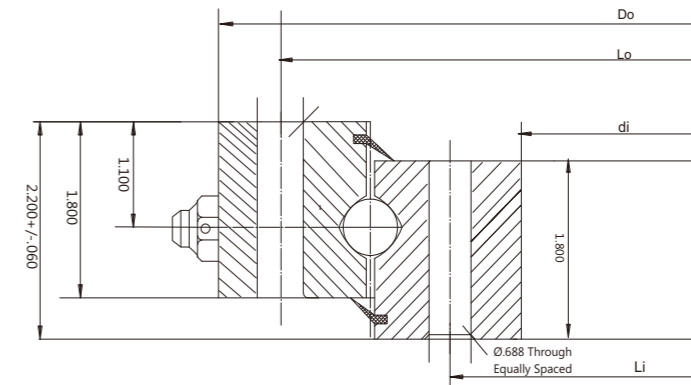
Construction

- Deep groove gothic arch
- 4 point contact
- Sealed
- Ring Configuration:
 - Non geared
 - External gear
 - Internal gear
- Geared rings have tapped holes
- Non geared rings have thru holes
- Gear detail:
 - Involute Stub
 - 20 deg
 - AGMA 8 Class (Contact SoCare® if you need higher precision ,AGMA8-AGMA11 even AGMA14 could be available for SoCare® which is subject to the bearing size.)
 - .005"-.025" allowable backlash
- Grease fittings for lubrication

Applications

- Rotary table
- Positioner
- Material handling
- Conveyor
- Rotators
- Stretch wrap equipment
- Crane

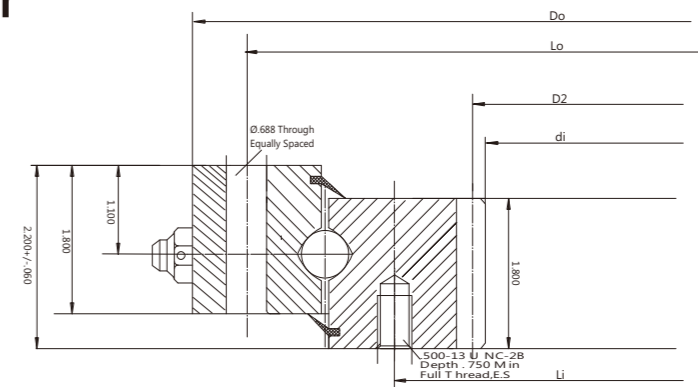
No Gear



SOCARE® No.	KAYDON® No.	OUTLINE DIMENSIONS (IN) AND WEIGHT (LBS)				OUTER RING				INNER RING				Gear Data INV.STUB, α=20°				Moment Rating Crm (ft-lbs)
		Do	di	G(LBS) Approx.	Lo	no	Li	ni	D2 (in)	Pd (in)	Z2	Fz (lbs)						
SCB-HS518	HS6-16P1Z	20.400	12.000	103	19.000	8	13.500	12								50,500		
SCB-HS648	HS6-21P1Z	25.500	17.000	137	24.000	12	18.500	15								72,700		
SCB-HS749	HS6-25P1Z	29.500	21.000	162	28.000	15	22.500	18								91,800		
SCB-HS848	HS6-29P1Z	33.400	25.000	186	32.000	15	26.500	18								111,900		
SCB-HS950	HS6-33P1Z	37.400	28.830	216	35.750	18	30.500	20								128,000		
SCB-HS1048	HS6-37P1Z	41.250	32.830	233	39.750	18	34.380	20								130,900		
SCB-HS1198	HS6-43P1Z	47.180	38.750	269	45.620	20	40.250	24								139,900		

Contact SoCare® about custom features, configurations and construction. (mounting holes, materials, coating, internal clearance)

Internal Gear

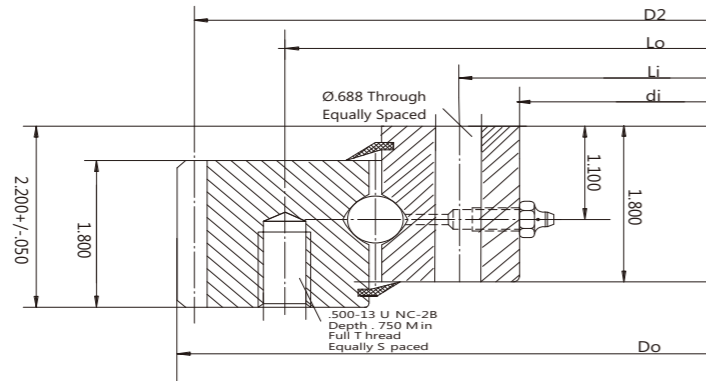


SOCARE® No.	KAYDON® No.	OUTLINE DIMENSIONS (IN) AND WEIGHT (LBS)				OUTER RING				INNER RING				Gear Data INV.STUB, α=20°				Moment Rating Crm (ft-lbs)
		Do	di	G(LBS) Approx.	Lo	no	Li	ni	D2 (in)	Pd (in)	Z2	Fz (lbs)						
SCB-HSN518	HS6-16N1Z	20.400	12.850	92	19.000	8	14.880	16	13.250	4	53	6,084	50,500					
SCB-HSN648	HS6-21N1Z	25.500	17.600	117	24.000	12	19.630	20	18.000	4	72	5,842	72,700					
SCB-HSN749	HS6-25N1Z	29.500	21.600	148	28.000	15	23.630	24	22.000	4	88	5,719	91,800					
SCB-HSN848	HS6-29N1Z	33.400	25.600	171	32.000	15	27.630	28	26.000	4	104	5,634	111,900					
SCB-HSN950	HS6-33N1Z	37.400	29.130	205	35.750	18	31.500	30	29.667	3	89	7,617	128,000					
SCB-HSN1048	HS6-37N1Z	41.250	33.130	226	39.750	18	35.500	32	33.667	3	101	7,531	130,900					
SCB-HSN1198	HS6-43N1Z	47.180	39.130	253	45.620	20	41.500	36	39.667	3	109	7,343	139,900					

Contact SoCare® about custom features, configurations and construction. (mounting holes, materials, coating, internal clearance)



External Gear

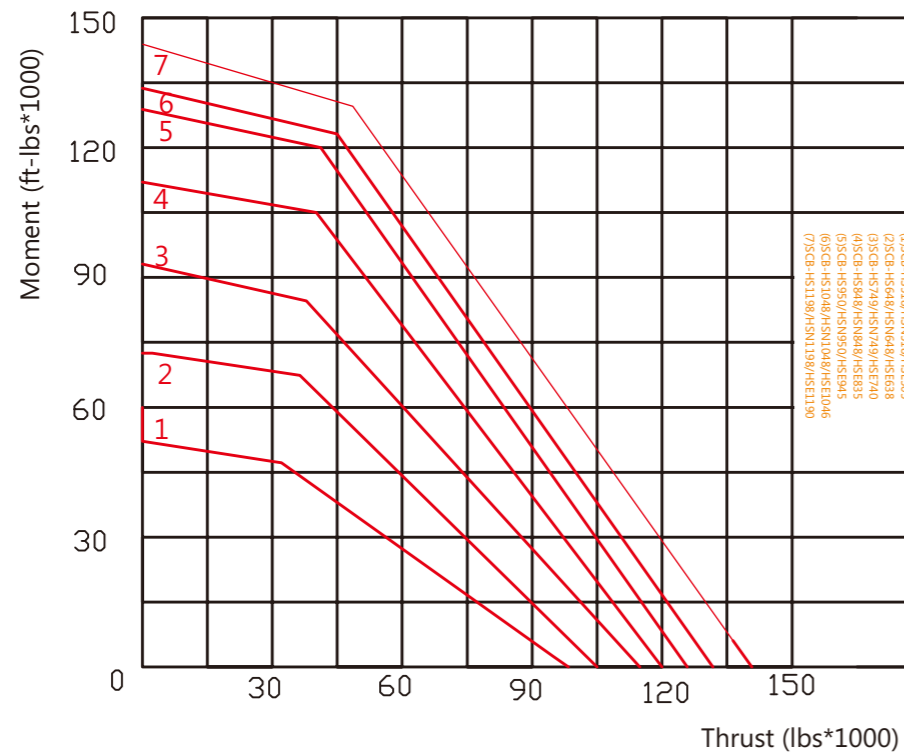


SOCARE® No.	KAYDON® No.	OUTLINE DIMENSIONS(IN) AND WEIGHT(LBS)			OUTER RING		INNER RING		Gear Data INV.STUB,α=20°				Moment Rating Crm (ft-lbs)
		Do	di	G(LBS) Approx.	Lo	no	Li	ni	D2 (in)	Pd (in)	Z2	Fz (lbs)	
SCB-HSE505	HS6-16E1Z	19.900	12.000	85	18.000	14	13.500	12	19.500	4	78	4,981	50,500
SCB-HSE638	HS6-21E1Z	25.150	17.000	108	23.250	18	18.500	15	24.750	4	99	5,076	72,700
SCB-HSE740	HS6-25E1Z	29.150	21.000	137	27.250	20	22.500	18	28.750	4	115	5,127	91,800
SCB-HSE835	HS6-29E1Z	32.900	25.000	158	31.000	24	26.500	18	32.500	4	130	5,164	111,900
SCB-HSE945	HS6-33E1Z	37.200	28.830	188	35.000	28	30.500	20	36.667	3	110	6,817	128,000
SCB-HSE1046	HS6-37E1Z	41.200	32.830	207	38.880	28	34.380	20	40.667	3	122	6,860	130,900
SCB-HSE1190	HS6-43E1Z	46.870	38.750	237	44.630	32	40.250	24	46.333	3	139	6,910	139,900

Contact SoCare® about custom features, configurations and construction. (mounting holes, materials, coating, internal clearance)

SCB-HS Load Ratings**

**Ratings based on bearing capability, consult SoCare® engineering to ensure design criteria.

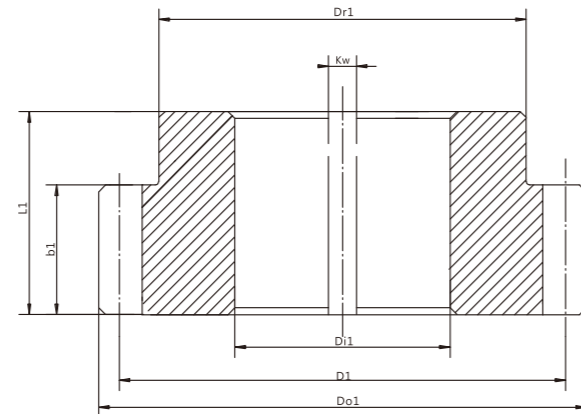


1-888-734-5690 www.socareusa.net
Quality Creates Value





PINIONS- SCB-RK, SCB-HS, SCB-MT



Mating Pinions for SCB-RK Series Bearings

BEARING No. KAYDON® No.	Tooth Form	Gear Data ($\alpha = 20^\circ$)			OUTLINE DIMENSIONS(IN) AND WEIGHT(LBS)							
		z1	Pd	b1	L1	D1	D01	Dr1	Di1	Kw	G(LBS) Approx.	
SCB-RK6-1	SD	14	4	2.000	2.880	3.500	3.900	2.880	1.000	1/4	6.4	
		17	4	2.000	2.880	4.250	4.650	3.630	1.000			
SCB-RK6-2	SD	14	3	2.000	2.880	4.667	5.200	3.880	1.250	5/16	11.4	
		17	3	2.000	2.880	5.667	6.200	4.880	1.250			
Tolerances		Ref.	Ref.	$\pm .015$	$\pm .015$	Ref.	$+ .000$ $- .010$	Ref.	$+ .002$ $- .000$			

Mating Pinions for SCB-HS Series Bearings

BEARING No. KAYDON® No.	Tooth Form	Gear Data ($\alpha = 20^\circ$)			OUTLINE DIMENSIONS(IN) AND WEIGHT(LBS)							
		z1	Pd	b1	L1	D1	D01	Dr1	Di1	Kw	G(LBS) Approx.	
SCB-HS6-1	SD	14	4	2.000	2.880	3.500	3.900	2.880	1.000	1/4	6.4	
		17	4	2.000	2.880	4.250	4.650	3.630	1.000			
SCB-HS6-2	SD	14	3	2.000	2.880	4.667	5.200	3.880	1.250	5/16	11.4	
		17	3	2.000	2.880	5.667	6.200	4.880	1.250			
Tolerances		Ref.	Ref.	$\pm .015$	$\pm .015$	Ref.	$+ .000$ $- .010$	Ref.	$+ .002$ $- .000$			

Mating Pinions for SCB-MT Series Bearings

BEARING No. KAYDON® No.	Tooth Form	Gear Data ($\alpha = 20^\circ$)			OUTLINE DIMENSIONS(IN) AND WEIGHT(LBS)							
		z1	Pd	b1	L1	D1	D01	Dr1	Di1	Kw	G(LBS) Approx.	
SCB-MTE145 thru SCB-MTE324	FS	17	5/7	2.25	3.125	3.4	3.686	2.906	1.000	1/4	6.6	
SCB-MTE415 thru SCB-MTE540	SD	14	4	2.000	2.880	3.500	3.900	2.880	1.000	1/4	6.4	
		17	4	2.000	2.880	4.250	4.650	3.630	1.000			
SCB-MTE590 thru SCB-MTE705	SD	14	3	2.000	2.880	4.667	5.200	3.880	1.250	5/16	11.4	
		17	3	2.000	2.880	5.667	6.200	4.880	1.250			
Tolerances		Ref.	Ref.	$\pm .015$	$\pm .015$	Ref.	-0.01	Ref.	0.002			





SCB-HT Series

Introduction

SCB-HT bearings have the same configuration as the SCB-HS bearing. Produced with a larger cross section and larger diameter rolling elements. OD size range : 36"-66"
Increased capacity over the SCB-HS bearing.

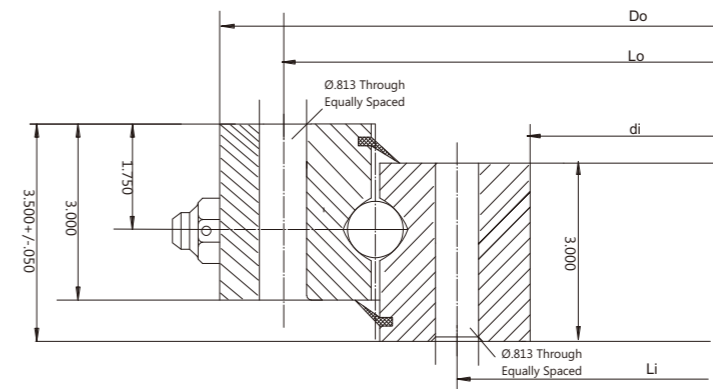
Construction

- Deep groove gothic arch
- 4 point contact
- Sealed
- Ring Configuration:
 - Non geared
 - External gear
 - Internal gear
- Geared rings have tapped holes
- Non geared rings have thru holes
- Gear detail:
 - Involute Stub
 - 20 deg
 - AGMA8 Class (Contact SoCare® if you need higher precision ,AGMA8-AGMA11 even AGMA14 could be available for SoCare® which is subject to the bearing size.)
 - .005"-.025" allowable backlash
- Grease fittings for lubrication

Applications

- Rotary table
- Lifts
- Material handling
- Derricks
- Rotators
- Stretch wrap equipment
- Crane

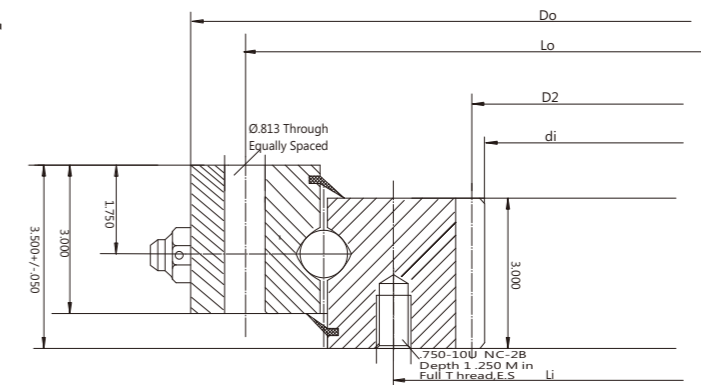
No Gear



SOCARE® No.	KAYDON® No.	OUTLINE DIMENSIONS(IN) AND WEIGHT(LBS)				OUTER RING		INNER RING		Gear Data INV.STUB,α=20°				Moment Rating Crm (ft-lbs)
		Do	di	G(LBS) Approx.	Lo	no	Li	ni	D2 (in)	Pd (in)	Z2	Fz (lbs)		
SCB-HT914	HT10-30P1Z	36.000	24.000	447	33.250	24	26.750	30					340,000	
SCB-HT1066	HT10-36P1Z	42.000	30.000	521	39.250	28	32.750	32					395,700	
SCB-HT1219	HT10-42P1Z	48.000	36.000	628	45.250	32	38.750	36					457,000	
SCB-HT1371	HT10-48P1Z	54.000	42.000	719	51.250	36	44.750	40					517,900	
SCB-HT1524	HT10-54P1Z	60.000	48.000	809	57.250	40	50.750	44					578,400	
SCB-HT1676	HT10-60P1Z	66.000	54.000	865	63.250	44	56.750	48					638,800	

Contact SoCare® about custom features, configurations and construction. (mounting holes, materials, coating, internal clearance)

Internal Gear

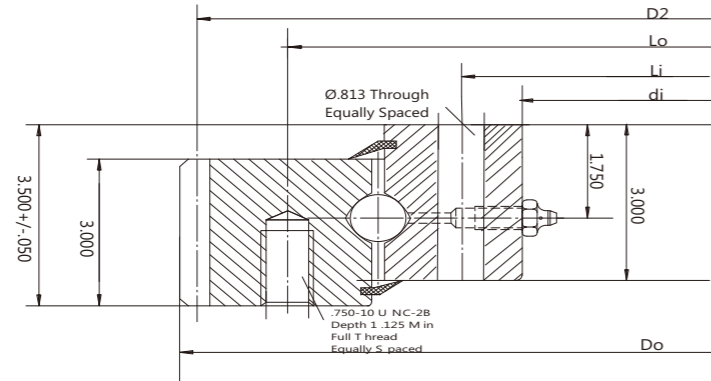


SOCARE® No.	KAYDON® No.	OUTLINE DIMENSIONS(IN) AND WEIGHT(LBS)				OUTER RING		INNER RING		Gear Data INV.STUB,α=20°				Moment Rating Crm (ft-lbs)
		Do	di	G(LBS) Approx.	Lo	no	Li	ni	D2 (in)	Pd (in)	Z2	Fz (lbs)		
SCB-HTN914	HT10-30N1Z	36.000	24.160	411	33.250	24	27.250	30	24.800	2.5	62	21,783	340,000	
SCB-HTN1066	HT10-36N1Z	42.000	30.160	517	39.250	28	33.250	32	30.800	2.5	77	21,195	395,700	
SCB-HTN1219	HT10-42N1Z	48.000	36.160	580	45.250	32	39.250	36	36.800	2.5	92	20,819	457,000	
SCB-HTN1371	HT10-48N1Z	54.000	42.160	689	51.250	36	45.250	40	42.800	2.5	107	20,548	517,900	
SCB-HTN1524	HT10-54N1Z	60.000	48.160	775	57.250	40	51.250	44	48.800	2.5	122	20,344	578,400	
SCB-HTN1676	HT10-60N1Z	66.000	54.160	842	63.250	44	57.250	48	54.800	2.5	137	20,185	638,800	

Contact SoCare® about custom features, configurations and construction. (mounting holes, materials, coating, internal clearance)



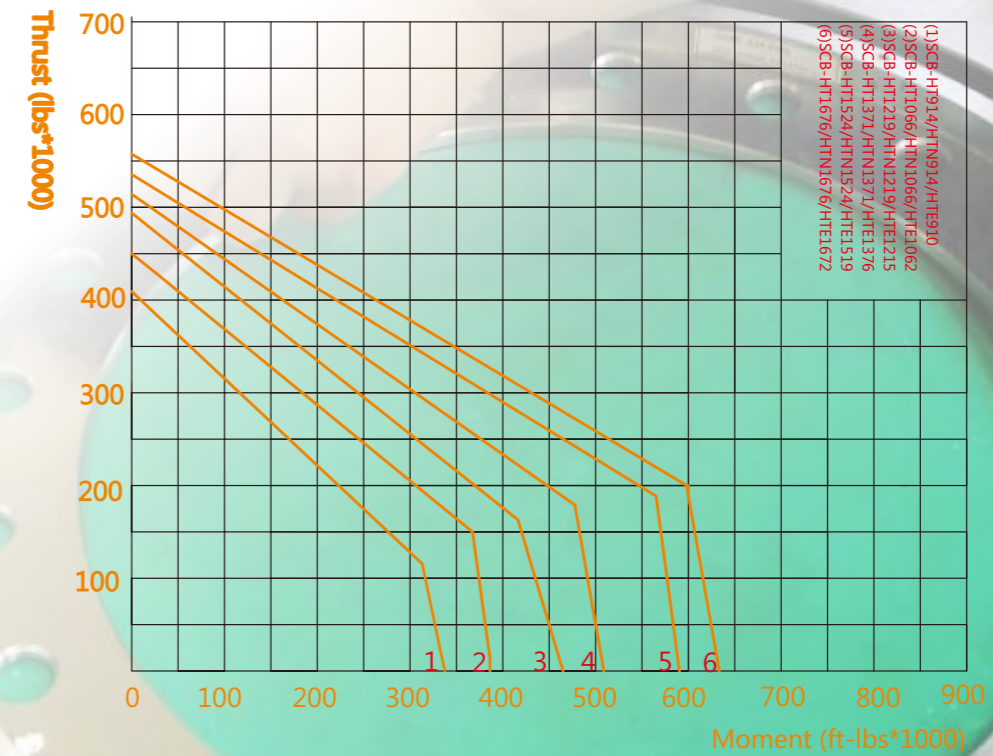
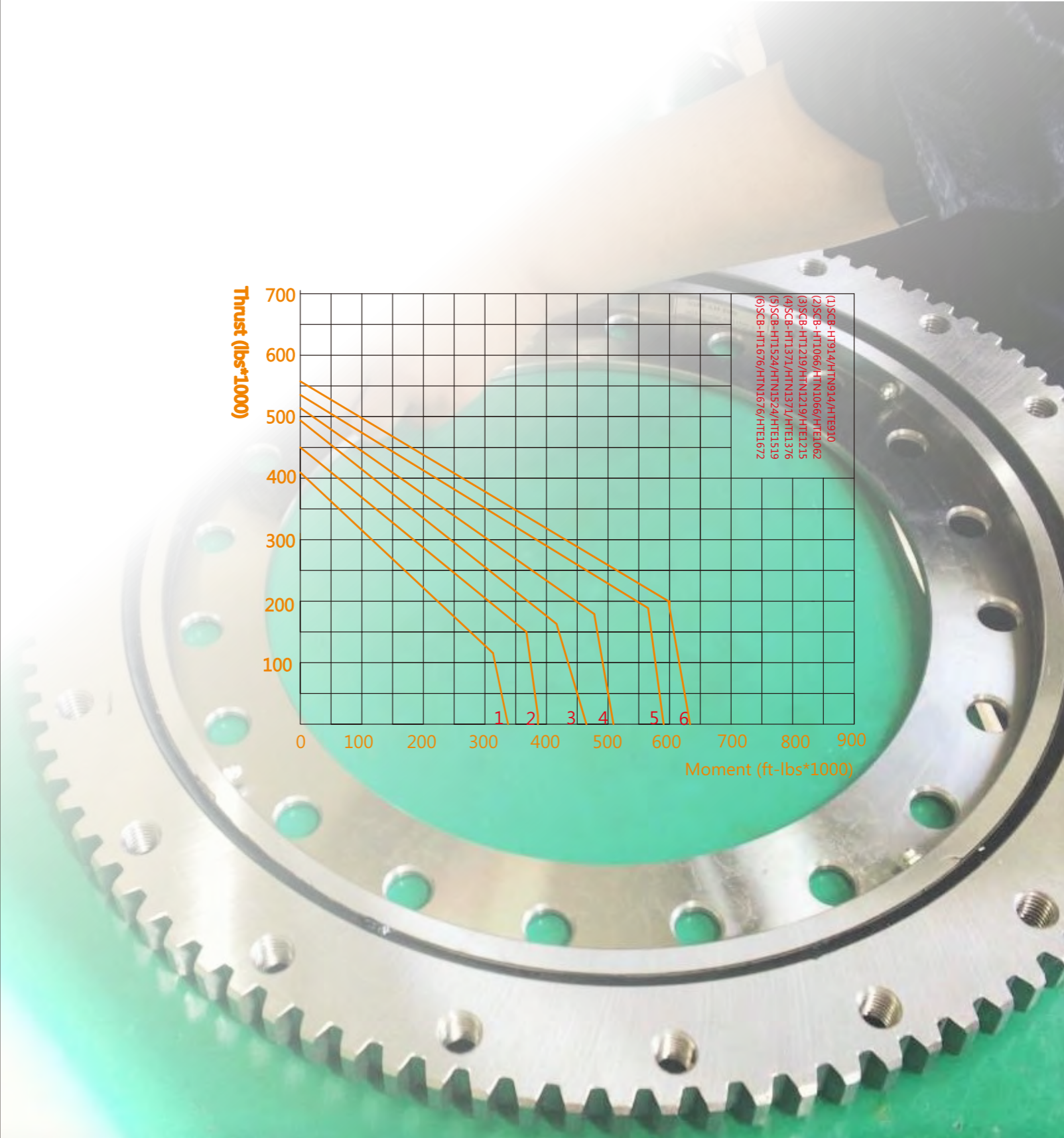
External Gear



SOCARE® No.	KAYDON No.	OUTLINE DIMENSIONS (IN) AND WEIGHT (LBS)				OUTER RING				INNER RING				Gear Data INV. STUB, α=20°				Moment Rating C _{rm} (ft-lbs)
		Do	di	G (LBS) Approx.		Lo	no	Li	ni	D2 (in)	Pd (in)	Z2	Fz (lbs)					
SCB-HTE910	HT10-30E1Z	35.840	24.000	398		32.750	24	26.750	30	35.200	2.5	88	18,393			340,000		
SCB-HTE1062	HT10-36E1Z	41.840	30.000	481		38.750	28	32.750	32	41.200	2.5	103	18,608			395,700		
SCB-HTE1215	HT10-42E1Z	47.840	36.000	562		44.750	32	38.750	36	47.200	2.5	118	18,772			457,000		
SCB-HTE1367	HT10-48E1Z	53.840	42.000	660		50.750	36	44.750	40	53.200	2.5	133	18,901			517,900		
SCB-HTE1519	HT10-54E1Z	59.840	48.000	742		56.750	40	50.750	44	59.200	2.5	148	19,005			578,400		
SCB-HTE1672	HT10-60E1Z	65.840	54.000	800		62.750	44	56.750	48	65.200	2.5	163	19,090			638,800		

Contact SoCare® about custom features, configurations and construction.
(mounting holes, materials, coating, internal clearance)

SCB-HT Load Ratings**
**Ratings based on bearing capability, consult SoCare® engineering to ensure design criteria.





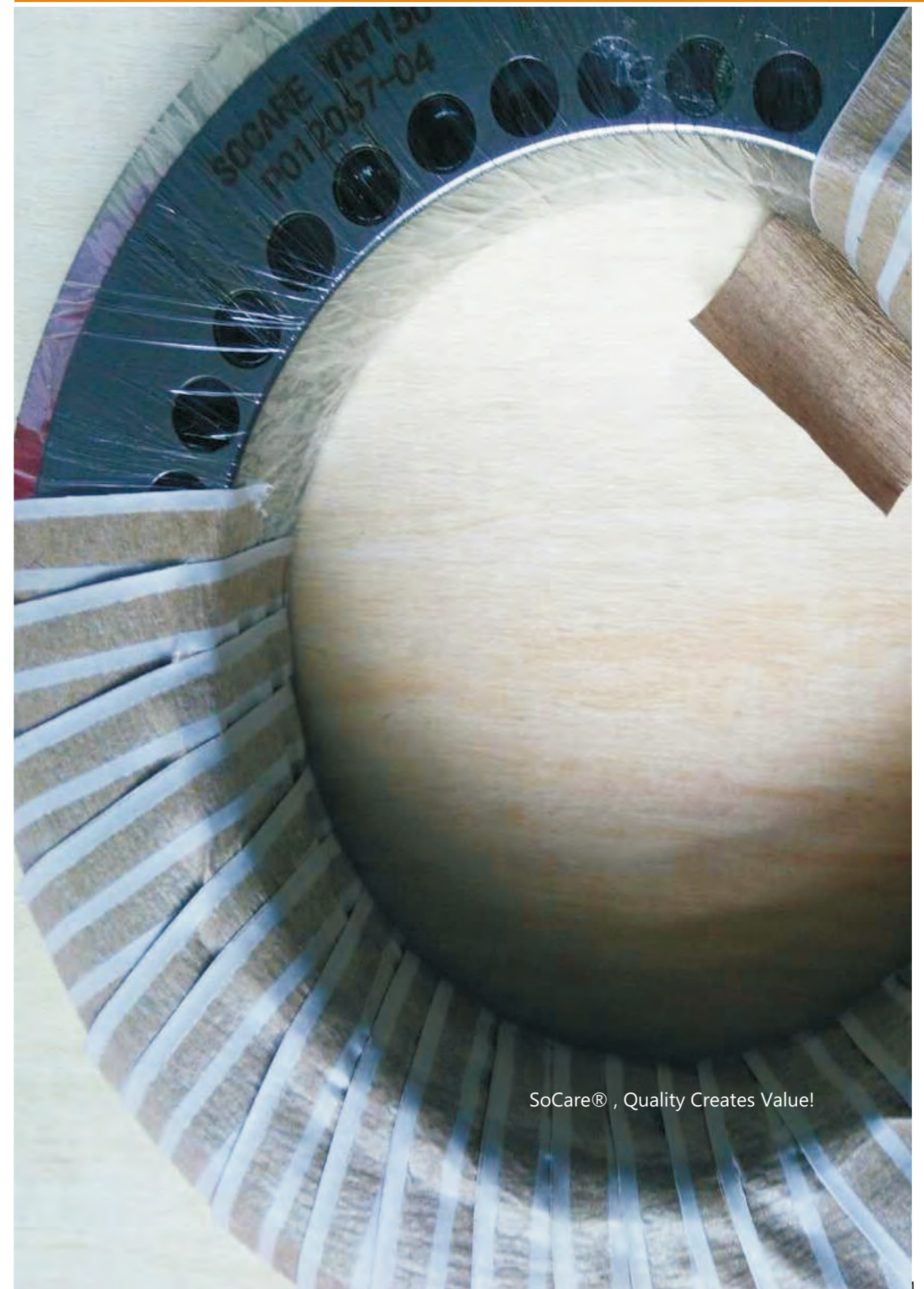
Industrial turntable



Lift truck rotators



Digger derricks



SoCare® , Quality Creates Value!



SCB-MT Series

Introduction

SCB-MT bearings have rectangular cross section rings.

OD size range : 4"-47"

Versatile series in ability to be modified for variety of applications, from general turntable to precise robotic applications

Construction

-Deep groove gothic arch

-4 point contact

-Sealed

-Ring Configuration:

Non geared(SCB-MTO)

External gear(SCB-MTE)

-Gear detail:

Fellows stub up thru MTE324

Involute Stub over MTE324

20 deg

AGMA8 Class (Contact SoCare® if you need higher precision ,AGMA8-AGMA11 even AGMA14 could be available for SoCare® which is subject to the bearing size.)

-Suffix

"T" suffix parts have threaded mounting holes

"X" suffix parts have increased load capacity

-Grease fittings for lubrication

Applications

-Rotary table

-Lifts

-Positioners

-Material handling

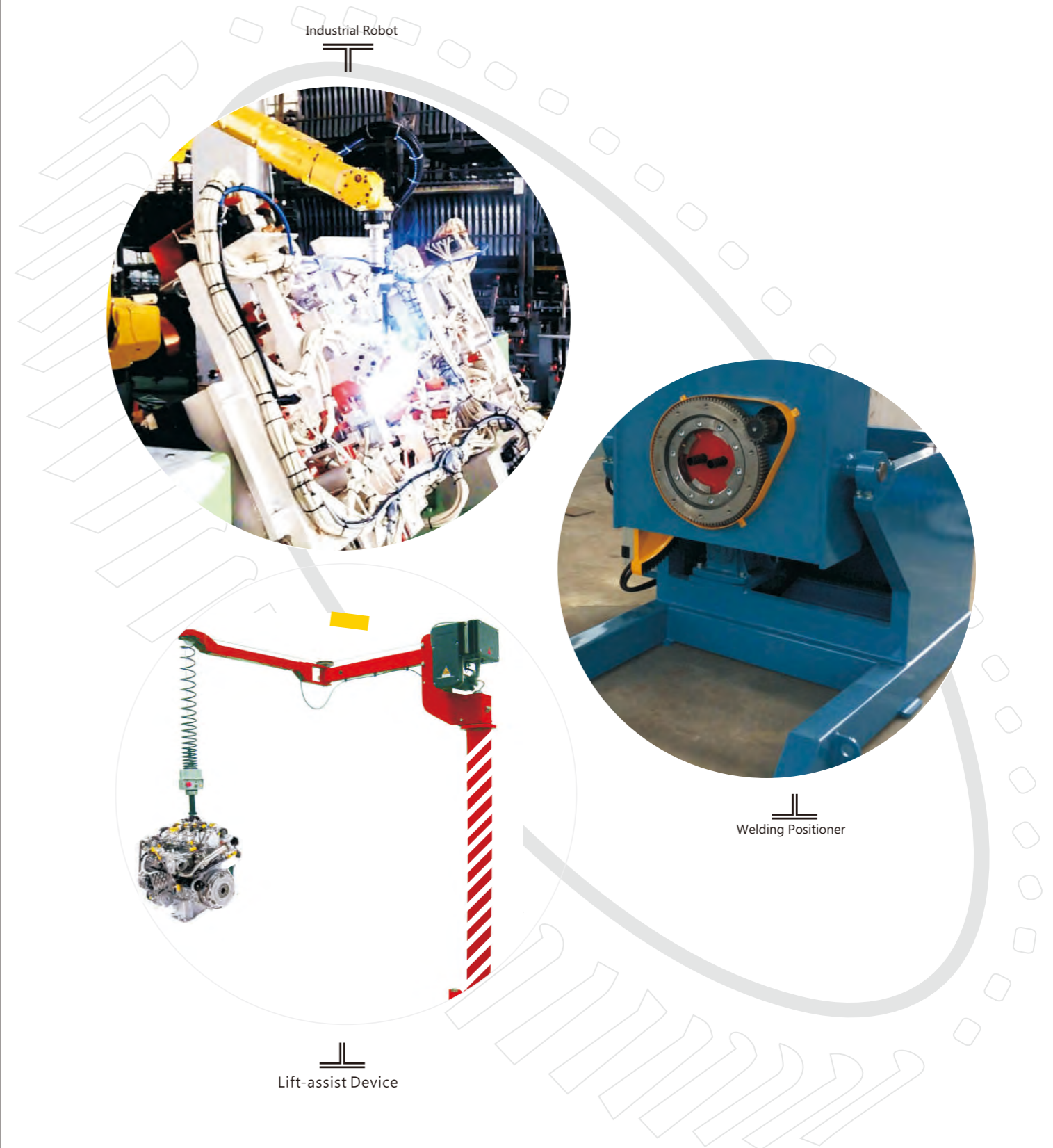
-Manipulators

-Rotators

-Stretch wrap equipment

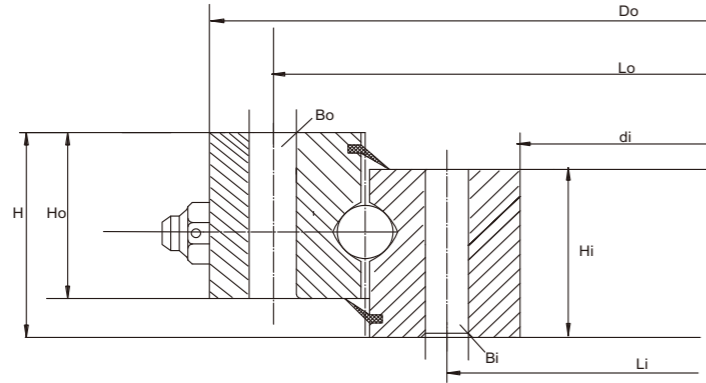
-Crane

-Hoist





↘ No Gear



SOCARE® No.	KAYDON® No.	OUTLINE DIMENSIONS(IN) AND WEIGHT(LBS)					G(LBS) Approx.
		Do	di	H	Hi/Ho		
SCB-MTO050	MTO-050	4.331	1.968	0.787	0.728	2	
SCB-MTO050T	MTO-050T	4.331	1.968	0.787	0.728	2	
SCB-MTO065	MTO-065	5.315	2.559	0.866	0.787	4	
SCB-MTO065T	MTO-065T	5.315	2.559	0.866	0.787	4	
SCB-MTO122	MTO-122	8.898	4.803	1.339	1.142	13	
SCB-MTO122T	MTO-122T	8.898	4.803	1.339	1.142	13	
SCB-MTO143	MTO-143	9.803	5.630	1.339	1.142	15	
SCB-MTO143T	MTO-143T	9.803	5.630	1.339	1.142	15	
SCB-MTO145	MTO-145	11.811	5.709	1.968	1.732	37	
SCB-MTO145T	MTO-145T	11.811	5.709	1.968	1.732	37	
SCB-MTO145X	MTO-145X	12.286	5.709	1.968	1.732	41	
SCB-MTO170	MTO-170	12.205	6.693	1.811	1.614	33	
SCB-MTO170T	MTO-170T	12.205	6.693	1.811	1.614	33	
SCB-MTO210	MTO-210	14.370	8.268	1.575	1.496	38	
SCB-MTO210T	MTO-210T	14.370	8.268	1.575	1.496	38	
SCB-MTO210X	MTO-210X	14.686	8.268	1.968	1.732	48	
SCB-MTO265	MTO-265	16.535	10.433	1.968	1.732	54	
SCB-MTO265T	MTO-265T	16.535	10.433	1.968	1.732	54	
SCB-MTO265X	MTO-265X	17.086	10.433	1.968	1.732	61	
SCB-MTO324T	MTO-324T	20.486	12.750	2.062	2.022	105	
SCB-MTO324X	MTO-324X	20.486	12.770	2.375	2.063	105	

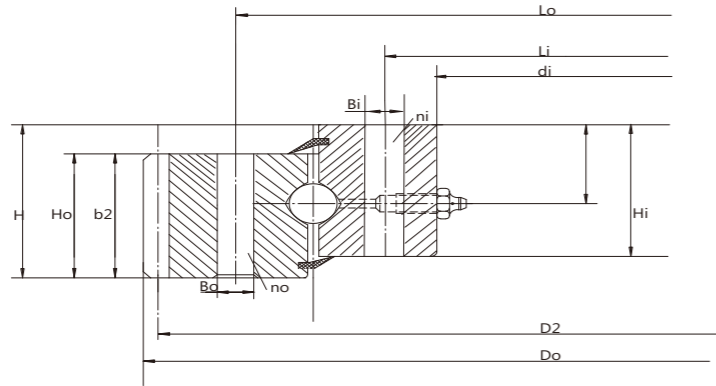
Contact SoCare® about custom features, configurations and construction.
(mounting holes, materials, coating, internal clearance)

SOCARE® No.	KAYDON® No.	MOUNTING HOLES						Moment Rating Crm (ft-lbs)
		OUTER RING			INNER RING			
		Lo	no	Bo	Li	ni	Bi	
SCB-MTO050	MTO-050	3.818	8	0.26	2.480	8	0.26	830
SCB-MTO050T	MTO-050T	3.818	8	M6	2.480	8	M6	830
SCB-MTO065	MTO-065	4.724	8	0.354	3.149	8	0.354	1,330
SCB-MTO065T	MTO-065T	4.724	8	M8	3.149	8	M8	1,330
SCB-MTO122	MTO-122	8.189	12	0.354	5.512	12	0.354	5,020
SCB-MTO122T	MTO-122T	8.189	12	M8	5.512	12	M8	5,020
SCB-MTO143	MTO-143	8.937	12	0.433	6.496	12	0.433	8,950
SCB-MTO143T	MTO-143T	8.937	12	M10	6.496	12	M10	8,950
SCB-MTO145	MTO-145	10.630	16	0.562	6.890	16	0.562	26,000
SCB-MTO145T	MTO-145T	10.630	16	5/8-11	6.890	16	5/8-11	26,000
SCB-MTO145X	MTO-145X	10.630	16	0.594	6.890	16	0.594	30,600
SCB-MTO170	MTO-170	11.024	12	0.512	7.874	12	0.512	16,520
SCB-MTO170T	MTO-170T	11.024	12	M12	7.874	12	M12	16,520
SCB-MTO210	MTO-210	13.190	16	0.562	9.499	20	0.562	44,500
SCB-MTO210T	MTO-210T	13.190	16	5/8-11	9.499	20	5/8-11	44,500
SCB-MTO210X	MTO-210X	13.190	16	0.594	9.499	20	0.594	52,100
SCB-MTO265	MTO-265	15.354	18	0.562	11.614	24	0.562	62,000
SCB-MTO265T	MTO-265T	15.354	18	5/8-11	11.614	24	5/8-11	62,000
SCB-MTO265X	MTO-265X	15.354	18	0.594	11.614	24	0.594	71,900
SCB-MTO324T	MTO-324T	18.875	20	5/8-11	14.375	20	5/8-11	102,400
SCB-MTO324X	MTO-324X	18.875	20	0.688	14.375	20	0.688	102,400

Contact SoCare® about custom features, configurations and construction.
(mounting holes, materials, coating, internal clearance)



External Gear



SOCARE® No.	KAYDON® No.	OUTLINE DIMENSIONS(IN) AND WEIGHT(LBS)					Gear Data INV.STUB,α=20°				
		Do	di	H	Hi/Ho	G(LBS) Approx.	D2 (in)	Pd (in)	Z2	b2 (in)	Tooth Form
SCB-MTE-145	MTE-145	12.286	5.709	1.968	1.732	38	12.000	5/7	60	1.732	FS
SCB-MTE-145T	MTE-145T	12.286	5.709	1.968	1.732	38	12.000	5/7	60	1.732	FS
SCB-MTE-145X	MTE-145X	12.286	5.709	1.968	1.732	38	12.000	5/7	60	1.732	FS
SCB-MTE-210	MTE-210	14.486	8.268	1.575	1.496	38	14.400	5/7	72	1.496	FS
SCB-MTE-210T	MTE-210T	14.486	8.268	1.575	1.496	38	14.400	5/7	72	1.496	FS
SCB-MTE-210X	MTE-210X	14.486	8.268	1.968	1.732	44	14.400	5/7	72	1.732	FS
SCB-MTE-265	MTE-265	17.086	10.433	1.968	1.732	57	16.800	5/7	84	1.732	FS
SCB-MTE-265T	MTE-265T	17.086	10.433	1.968	1.732	57	16.800	5/7	84	1.732	FS
SCB-MTE-265X	MTE-265X	17.086	10.433	1.968	1.732	57	16.800	5/7	84	1.732	FS
SCB-MTE-324T	MTE-324T	20.486	12.750	2.062	2.022	98	20.200	5/7	101	2.022	FS
SCB-MTE-324X	MTE-324X	20.486	12.770	2.375	2.063	99	20.200	5/7	101	2.063	FS
SCB-MTE-415	MTE-415	24.650	16.250	2.375	2.063	132	24.250	4	97	2.063	SD
SCB-MTE-415T	MTE-415T	24.650	16.250	2.375	2.063	132	24.250	4	97	2.063	SD
SCB-MTE-470	MTE-470	26.900	18.500	2.375	2.063	147	26.500	4	106	2.063	SD
SCB-MTE-470T	MTE-470T	26.900	18.500	2.375	2.063	147	26.500	4	106	2.063	SD
SCB-MTE-540	MTE-540	29.650	21.250	2.375	2.063	163	29.250	4	117	2.063	SD
SCB-MTE-540T	MTE-540T	29.650	21.250	2.375	2.063	163	29.250	4	117	2.063	SD
SCB-MTE-590	MTE-590	33.534	23.125	2.875	2.563	283	33.000	3	99	2.563	SD
SCB-MTE-590T	MTE-590T	33.534	23.125	2.875	2.563	283	33.000	3	99	2.563	SD
SCB-MTE-705T	MTE-705T	38.201	27.750	2.875	2.563	325	37.667	3	113	2.563	SD
SCB-MTE-705T	MTE-705T	38.201	27.750	2.875	2.563	325	37.667	3	113	2.563	SD
SCB-MTE-730	MTE-730	41.850	28.750	3.250	2.880	491	41.200	2.5	103	2.880	SD
SCB-MTE-730T	MTE-730T	41.850	28.750	3.250	2.880	491	41.200	2.5	103	2.880	SD
SCB-MTE-870	MTE-870	47.444	34.250	4.250	3.875	771	46.800	2.5	117	3.875	SD
SCB-MTE-870T	MTE-870T	47.444	34.250	4.250	3.875	771	46.800	2.5	117	3.875	SD

Contact SoCare® about custom features, configurations and construction.
(mounting holes, materials, coating, internal clearance)

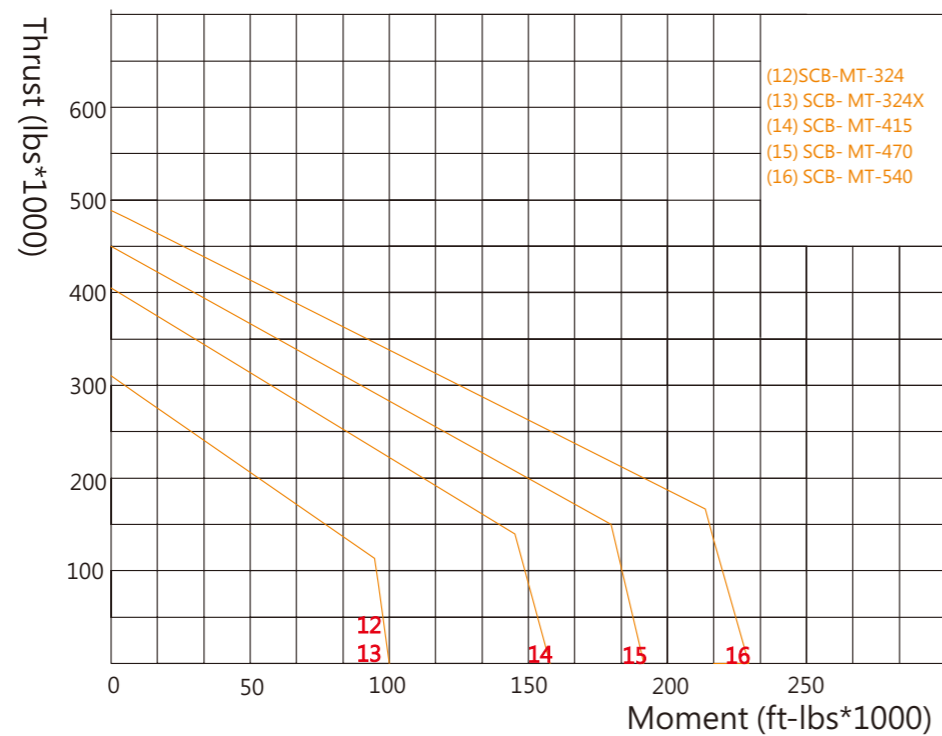
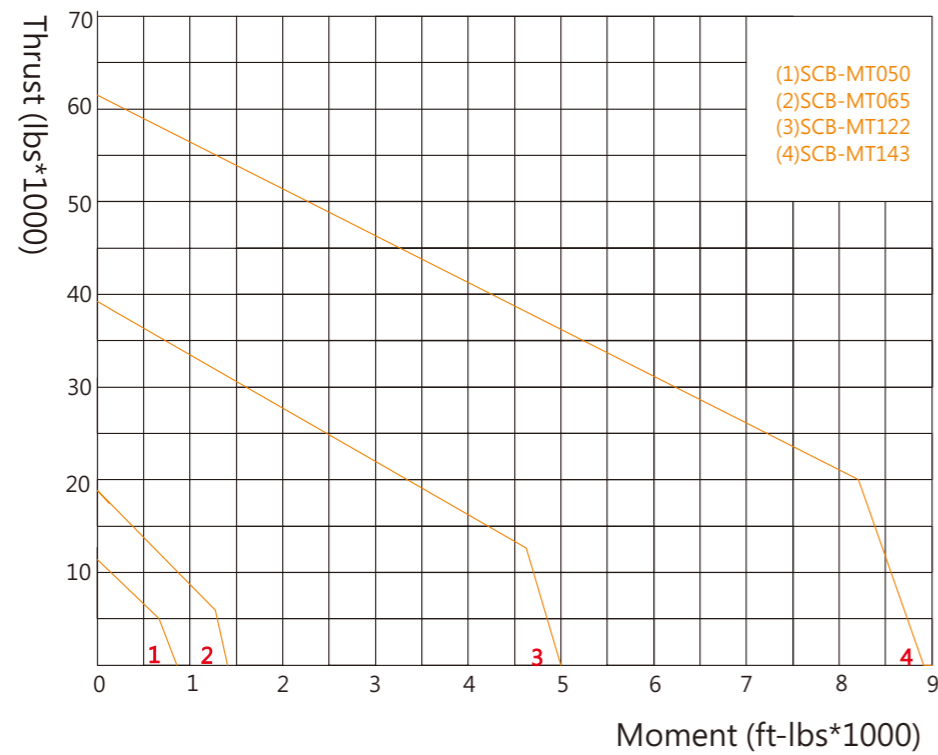
SOCARE® No.	KAYDON® No.	MOUNTING HOLES						Fz (lbs) Max Gear Tooth Loading	Moment Rating CrM (ft-lbs)
		OUTER RING			INNER RING				
		Lo	no	Bo	Li	ni	Bi		
SCB-MTE-145	MTE-145	10.630	16	0.562	6.890	16	0.562	7,140	26,000
SCB-MTE-145T	MTE-145T	10.630	16	5/8-11	6.890	16	5/8-11	7,140	26,000
SCB-MTE-145X	MTE-145X	10.630	16	0.594	6.890	16	0.594	7,140	30,600
SCB-MTE-210	MTE-210	13.190	16	0.562	9.449	20	0.562	5,810	44,500
SCB-MTE-210T	MTE-210T	13.190	16	5/8-11	9.449	20	5/8-11	5,810	44,500
SCB-MTE-210X	MTE-210X	13.190	16	0.594	9.449	20	0.594	7,290	52,100
SCB-MTE-265	MTE-265	15.354	18	0.562	11.614	24	0.562	7,330	62,000
SCB-MTE-265T	MTE-265T	15.354	18	5/8-11	11.614	24	5/8-11	7,330	62,000
SCB-MTE-265X	MTE-265X	15.354	18	0.594	11.614	24	0.594	7,330	71,900
SCB-MTE-324T	MTE-324T	18.875	20	5/8-11	14.375	20	5/8-11	8,700	102,400
SCB-MTE-324X	MTE-324X	18.875	20	0.688	14.375	20	0.688	8,863	102,400
SCB-MTE-415	MTE-415	22.250	16	0.813	17.750	20	0.813	10,420	159,200
SCB-MTE-415T	MTE-415T	22.250	16	3/4-10	17.750	20	3/4-10	10,420	159,200
SCB-MTE-470	MTE-470	24.500	18	0.813	20.000	24	0.813	10,460	191,600
SCB-MTE-470T	MTE-470T	24.500	18	3/4-10	20.000	24	3/4-10	10,460	191,600
SCB-MTE-540	MTE-540	27.250	24	0.813	22.750	28	0.813	10,520	232,000
SCB-MTE-540T	MTE-540T	27.250	24	3/4-10	22.750	28	3/4-10	10,520	232,000
SCB-MTE-590	MTE-590	30.625	18	0.938	24.875	24	0.938	17,290	338,700
SCB-MTE-590T	MTE-590T	30.625	18	7/8-9	24.875	24	7/8-9	17,290	338,700
SCB-MTE-705	MTE-705	35.250	24	0.938	29.500	28	0.938	17,390	443,200
SCB-MTE-705T	MTE-705T	35.250	24	7/8-9	29.500	28	7/8-9	17,390	443,200
SCB-MTE-730	MTE-730	38.000	20	1.063	31.000	24	1.063	21,290	588,000
SCB-MTE-730T	MTE-730T	38.000	20	1-8	31.000	24	1-8	21,290	588,000
SCB-MTE-870	MTE-870	43.875	24	1.188	36.250	28	1.188	31,620	873,800
SCB-MTE-870T	MTE-870T	43.875	24	1 1/8-7	36.250	28	1 1/8-7	31,620	873,800

Contact SoCare® about custom features, configurations and construction.
(mounting holes, materials, coating, internal clearance)



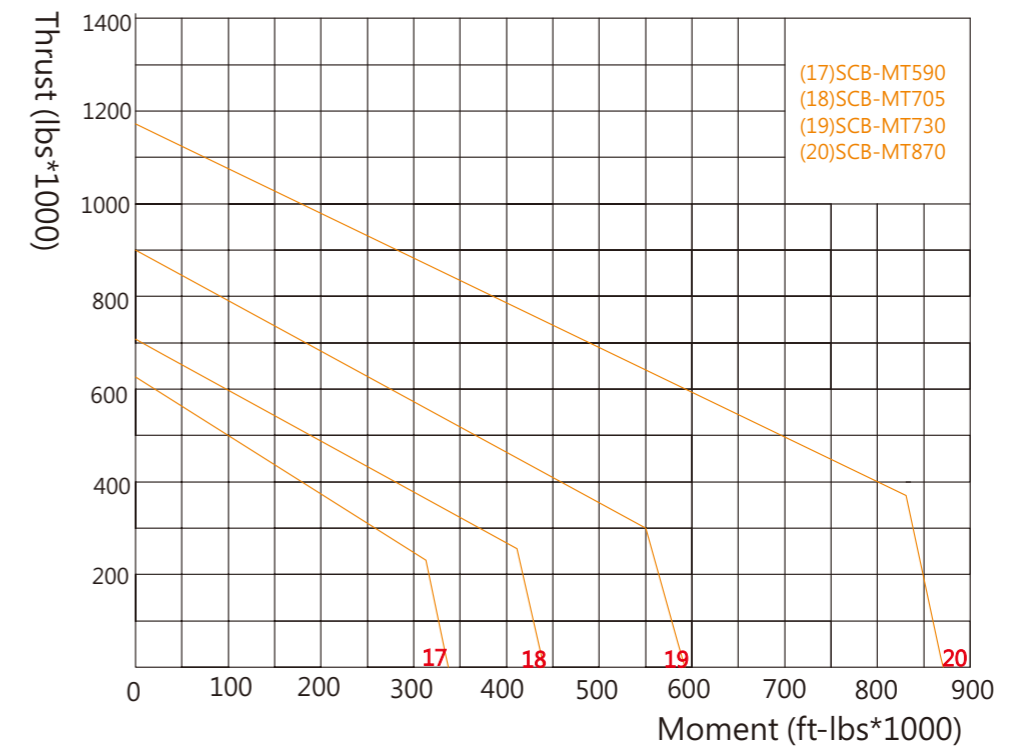
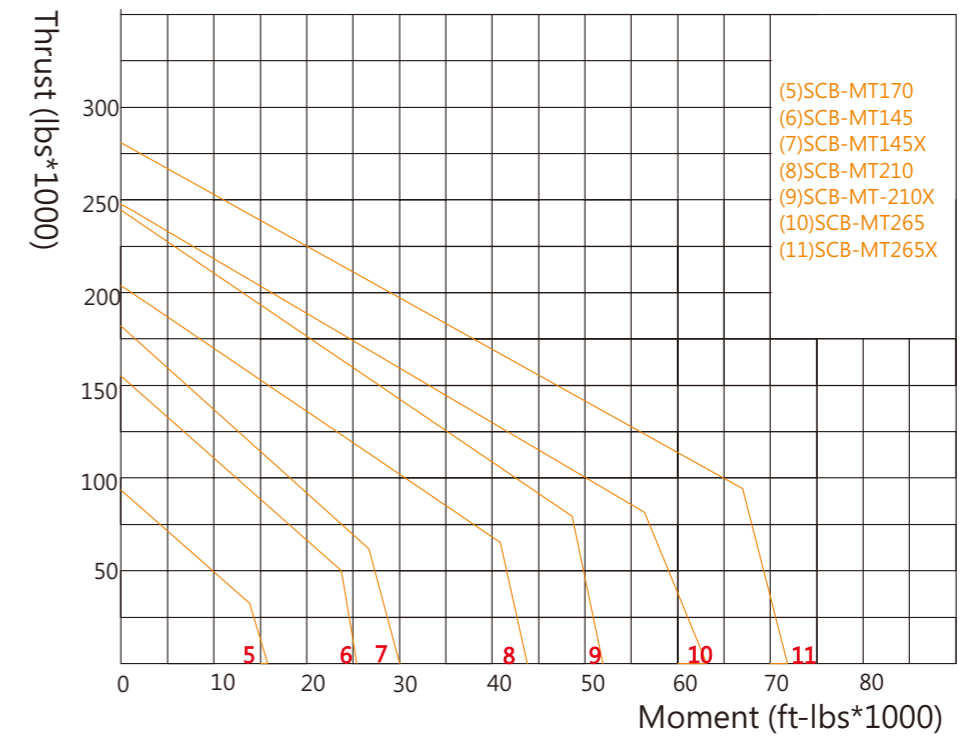
SCB-MT Load Ratings**

**Ratings based on bearing capability, consult SoCare® engineering to ensure design criteria.



SCB-MT Load Ratings**

**Ratings based on bearing capability, consult SoCare® engineering to ensure design criteria.





Rotary Table



Small wind turbines



Truck-mounted cranes



Jib Crane



Large OD Segment Gear Ring



SCB-XT Series

Introduction

SCB-XT bearings have rectangular cross section rings.
 OD size range up : 9"-218"
 Option for applications where other series do not meet the size or load capacity required

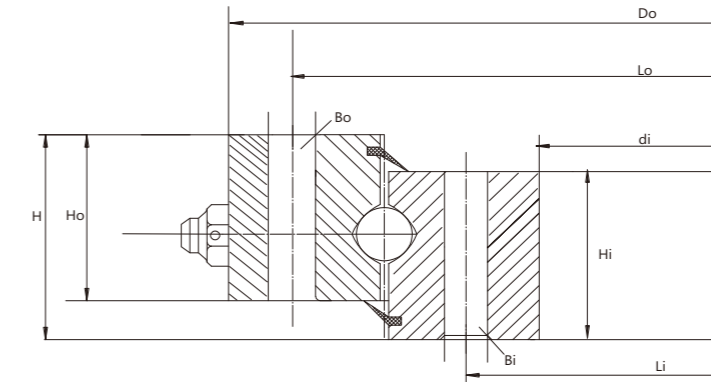
Construction

- Deep groove gothic arch
- 4 point contact
- Sealed
- Ring Configuration:
 - Non geared
 - External gear
 - Internal gear
- Grease fittings for lubrication

Applications

- Rotary table
- Lifts
- Excavators
- Mining
- Grappler
- Crane
- Wind Turbine
- Hoist

↘ No Gear



SOCARE® No.	KAYDON® No.	OUTLINE DIMENSIONS(IN) AND WEIGHT(LBS)				G(LBS) Approx.
		Do	di	H	Hi/Ho	
SCB-XT626	12740001	24.650	16.250	2.375	2.063	145
SCB-XT683	12750001	26.900	18.500	2.375	2.063	155
SCB-XT753	12770001	29.650	21.250	2.375	2.063	180
SCB-XT852	12775001	33.534	23.125	2.875	2.563	305
SCB-XT970	12780001	38.201	27.750	2.875	2.563	350
SCB-XT1063	12785001	41.850	28.750	3.250	2.880	530
SCB-XT1205	12790001	47.444	34.250	4.250	3.875	835
SCB-XT1556	16289001	61.250	52.325	3.540	2.800	585
SCB-XT2235	16389001	87.992	69.094	6.024	5.512	3,330
SCB-XT3276	16290001	129.000	113.000	5.500	5.000	3,950
SCB-XT4521	16291001	178.000	162.000	5.500	5.000	5,350

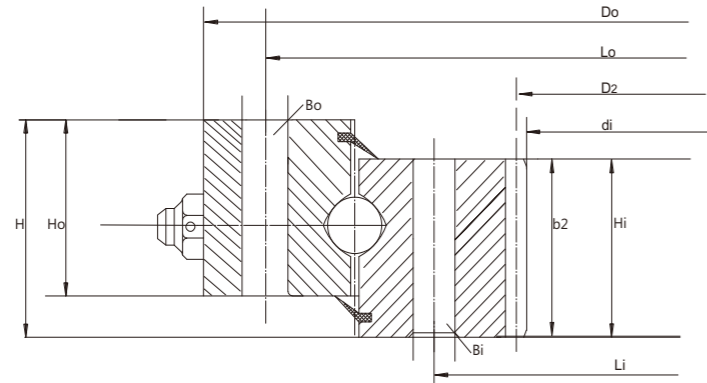
Contact SoCare® about custom features, configurations and construction.
 (mounting holes, materials, coating, internal clearance)

SOCARE® No.	KAYDON® No.	MOUNTING HOLES						Moment Rating Crm (ft-lbs)
		OUTER RING			INNER RING			
		Lo	no	Bo	Li	ni	Bi	
SCB-XT626	12740001	22.250	16	0.813	17.750	20	0.813	159,000
SCB-XT683	12750001	24.500	18	0.813	20.000	24	0.813	188,000
SCB-XT753	12770001	27.250	24	0.813	22.750	28	0.813	232,000
SCB-XT852	12775001	30.625	18	0.938	24.875	24	0.938	338,000
SCB-XT970	12780001	35.250	24	0.938	29.500	28	0.938	443,000
SCB-XT1063	12785001	38.000	20	1.063	31.000	24	1.063	587,000
SCB-XT1205	12790001	43.875	24	1.188	36.250	28	1.188	873,000
SCB-XT1556	16289001	59.625	30	0.844	54.000	30	0.844	348,000
SCB-XT2235	16389001	83.543	52	1.535	73.543	52	1.535	3,675,000
SCB-XT3276	16290001	125.500	72	1.063	116.500	72	1.063	1,337,000
SCB-XT4521	16291001	174.500	96	1.063	165.500	96	1.063	2,258,000

Contact SoCare® about custom features, configurations and construction.
 (mounting holes, materials, coating, internal clearance)



Internal Gear



SOCARE® No.	KAYDON® No.	OUTLINE DIMENSIONS(IN)					Gear Data INV.STUB, α=20°				
		Do	di	H	Hi/Ho	dr	D2 (in)	Pd (in)	Z2	b2 (in)	X2
SCB-XTN422	16292001	16.625	9.714	1.968	1.732	-	10.000	5/7	50	1.732	0
SCB-XTN520	16293001	20.486	12.750	2.060	2.000	-	13.000	5/7	65	2.000	0
SCB-XTN654	16294001	25.750	16.850	2.750	2.375	-	17.250	4	69	2.375	0
SCB-XTN735	16295001	28.937	19.600	2.834	2.480	-	20.000	4	80	2.480	0
SCB-XTN870	16296001	34.252	24.921	2.834	2.480	-	25.250	4	101	2.480	-0.15
SCB-XTN1038	16390001	40.880	30.560	3.380	2.560/3.000	32.375	31.200	2.5	78	2.750	0
SCB-XTN1225	16374001	48.250	36.400	4.000	3.500	38.250	37.200	2.5	93	3.250	0
SCB-XTN1381	16297001	54.375	41.280	5.000	3.875/4.625	43.000	41.600	2.5	104	3.000	-0.40
SCB-XTN1581	16298001	62.250	47.760	4.875	4.375	49.325	48.400	2.5	121	4.312	0
SCB-XTN1842	16299001	72.500	57.000	6.000	5.000	59.380	58.000	2	116	4.500	0
SCB-XTN2076	16300001	81.750	62.267	6.500	5.625/6.125	64.750	63.333	1.5	95	5.000	0
SCB-XTN2603	16301001	102.500	85.360	7.440	6.780/5.660	88.380	86.667	1.5	130	5.500	0
SCB-XTN2972	16302001	117.000	93.600	7.125	6.500	96.375	94.667	1.5	142	4.750	0
SCB-XTN3770	16303001	148.425	135.039	4.724	4.134	136.890	135.827	(10)	345	3.543	0
SCB-XTN4267	16304001	168.000	151.700	6.000	5.500	153.940	152.500	2	305	5.000	0

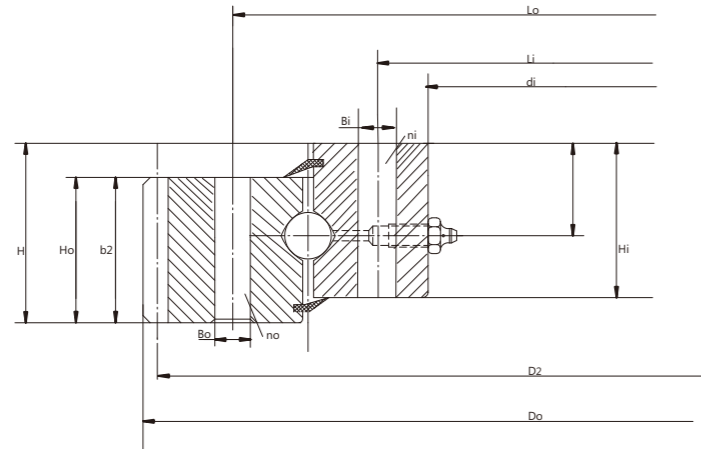
Contact SoCare® about custom features, configurations and construction.
(mounting holes, materials, coating, internal clearance)

SOCARE® No.	KAYDON® No.	MOUNTING HOLES						WEIGHT G Approx. (lbs)	Fz (lbs) Max Gear Tooth Loading	Moment Rating Crm (ft-lbs)
		OUTER RING			INNER RING					
		Lo	no	Bo	Li	ni	Bi			
SCB-XTN422	16292001	15.354	18	0.594	11.614	24	0.594	65	7,800	71,800
SCB-XTN520	16293001	18.875	20	0.594	14.375	20	0.594	105	8,800	81,300
SCB-XTN654	16294001	24.500	18	0.688	19.500	24	0.688	180	12,750	143,000
SCB-XTN735	16295001	27.165	24	0.813	22.126	30	0.813	225	13,250	244,000
SCB-XTN870	16296001	32.480	30	0.813	27.441	36	0.813	270	12,900	343,000
SCB-XTN1038	16390001	39.250	40	0.813	33.750	40	0.813	375	20,230	461,000
SCB-XTN1225	16374001	46.125	30	0.938	39.875	36	0.938	660	21,290	720,000
SCB-XTN1381	16297001	52.500	48	0.938	45.250	48	0.938	1,090	24,900	1,131,000
SCB-XTN1581	16298001	59.750	48	1.063	51.750	48	1.063	1,370	38,500	1,650,000
SCB-XTN1842	16299001	69.750	48	1.063	61.500	48	1.063	1,900	46,600	1,831,000
SCB-XTN2076	16300001	78.750	52	1.312	67.625	52	1.312	3,080	75,450	3,764,000
SCB-XTN2603	16301001	99.803	60	1.312	91.142	60	1.312	3,750	81,500	3,457,000
SCB-XTN2972	16302001	113.000	52	1.562	100.000	52	1.562	6,200	69,900	6,125,000
SCB-XTN3770	16303001	146.457	72	0.866	138.583	72	0.866	3,000	25,300	1,103,000
SCB-XTN4267	16304001	165.120	90	1.313	156.000	90	1.313	5,500	45,400	3,003,000

Contact SoCare® about custom features, configurations and construction.
(mounting holes, materials, coating, internal clearance)



External Gear



SOCARE® No.	KAYDON® No.	OUTLINE DIMENSIONS (IN)					Gear Data INV. STUB, $\alpha=20^\circ$				
		Do	di	H	Hi/Ho	Dr	D2 (in)	Pd/m (in)	Z2	b2 (in)	Tooth Form
SCB-XTE241	16305001	9.500	4.813	1.344	1.141	--	9.250	8	74	1.141	FD
SCB-XTE540	16306001	21.286	12.438	2.812	2.656	--	21.000	5/7	105	2.656	FS
SCB-XTE773	16307001	30.457	19.000	3.625	3.250	--	30.000	3.5	105	3.250	SD
SCB-XTE1000	12440001	39.400	29.500	3.875	3.031	38.375	39.000	4	156	2.750	SD
SCB-XTE1286	16308001	50.640	37.750	4.000	3.620	--	50.000	2.5	125	3.620	SD
SCB-XTE1379	12288001	54.300	42.000	4.625	3.625	52.250	53.500	2	107	3.000	SD
SCB-XTE1428	16309001	56.240	41.370	4.750	3.850/4.400	--	55.600	2.5	139	3.850	FD
SCB-XTE1557	16310001	61.300	47.125	5.875	4.688	59.375	60.500	2	121	4.000	SD
SCB-XTE1905	16311001	75.000	54.500	6.500	5.875	72.560	74.000	2	148	4.000	FD
SCB-XTE2160	16312001	85.067	66.750	7.120	6.500/6.620	82.120	84.000	1.5	126	6.000	SD
SCB-XTE2510	16313001	98.800	78.400	6.625	6.000	98.000	98.000	2	196	4.750	SD
SCB-XTE3412	16314001	134.331	118.110	5.512	5.000	130.984	132.52	(18)	187	4.724	FD
SCB-XTE4320	16315001	170.079	146.850	6.024	5.512	--	168.504	(20)	214	5.512	FD
SCB-XTE5000	16316001	196.850	173.622	7.000	6.250	192.716	195.276	(20)	248	5.512	FD
SCB-XTE5544	16317001	218.268	197.244	5.512	5.039	216.142	217.323	(12)	460	3.780	FD

*X₂=-.28 FOR SCB-XTE3412, THE REST ITEMS X₂=0 (Modification Factor=X₂)

Contact SoCare® about custom features, configurations and construction.
(mounting holes, materials, coating, internal clearance)

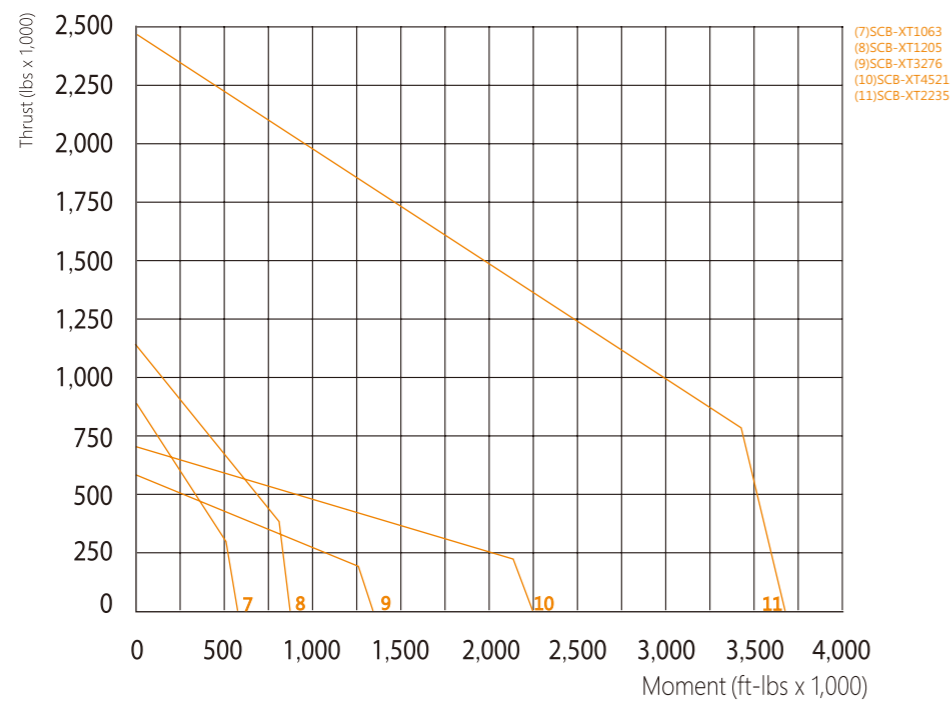
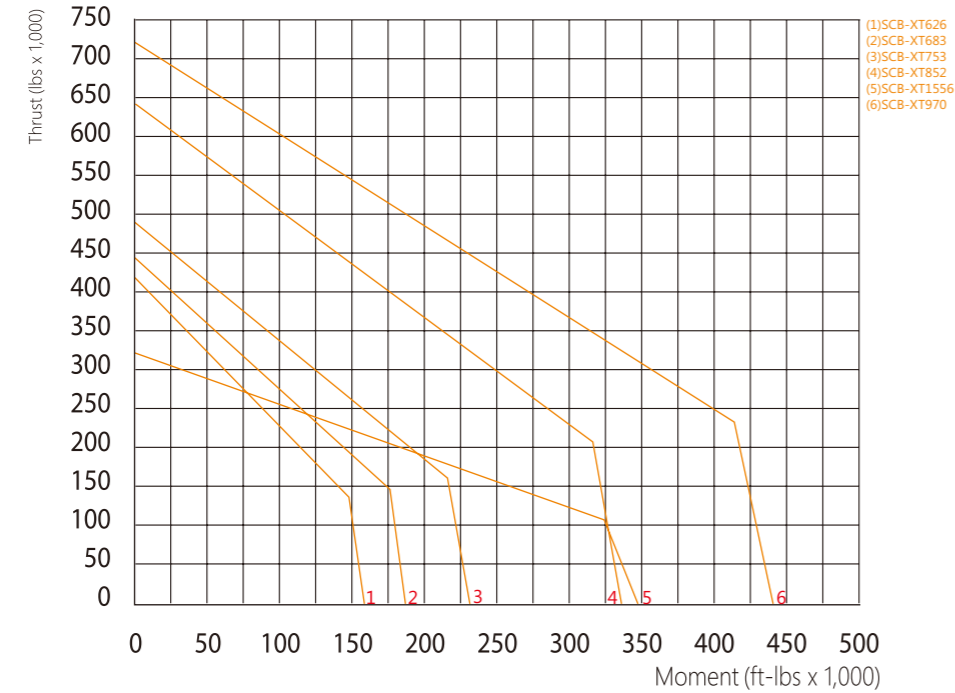
SOCARE® No.	KAYDON® No.	MOUNTING HOLES						Gear Tooth Load Fz(lbs)	WEIGHT G Approx. (lbs)	Moment Rating Crm (ft-lbs)
		OUTER RING			INNER RING					
		Lo	no	Bo	Li	ni	Bi			
SCB-XTE241	16305001	8.188	12	0.354	5.500	12	0.354	2,470	15	6,200
SCB-XTE540	16306001	19.156	16	0.813	13.750	18	0.813	10,570	140	122,500
SCB-XTE773	16307001	27.375	30	0.813	20.625	29	0.813	17,400	330	322,000
SCB-XTE1000	12240001	36.750	36	0.813	31.250	39	0.813	14,000	390	477,000
SCB-XTE1286	16308001	47.000	30	1.031	40.000	29	1.031	27,400	770	832,000
SCB-XTE1379	12288001	50.375	30	1.062	44.125	36	1.062	28,150	770	875,000
SCB-XTE1428	16309001	52.000	28	1.313	44.000	28	1.313	29,300	1,133	1,220,000
SCB-XTE1557	16310001	57.375	40	1.063	49.250	44	1.063	40,850	1,420	1,552,000
SCB-XTE1905	16311001	70.250	40	1.313	58.500	40	1.313	36,600	2,865	2,873,000
SCB-XTE2160	16312001	80.125	48	1.313	59.250	48	1.313	81,900	3,410	3,575,000
SCB-XTE2510	16313001	94.250	72	1.562	82.500	60	1.812	49,600	4,000	4,951,000
SCB-XTE3412	16314001	128.976	72	1.260	120.512	72	1.260	61,800	3,600	2,070,000
SCB-XTE4320	16315001	162.598	72	1.535	150.787	72	1.535	80,500	8,030	4,176,000
SCB-XTE5000	16316001	189.370	80	1.535	177.559	80	1.535	81,000	10,100	5,210,000
SCB-XTE5544	16317001	212.598	90	1.260	200.787	90	1.260	31,100	8,700	3,190,000

Contact SoCare® about custom features, configurations and construction.
(mounting holes, materials, coating, internal clearance)



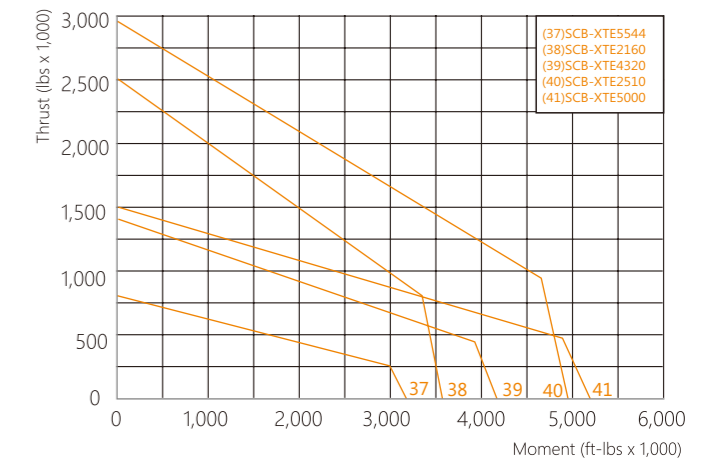
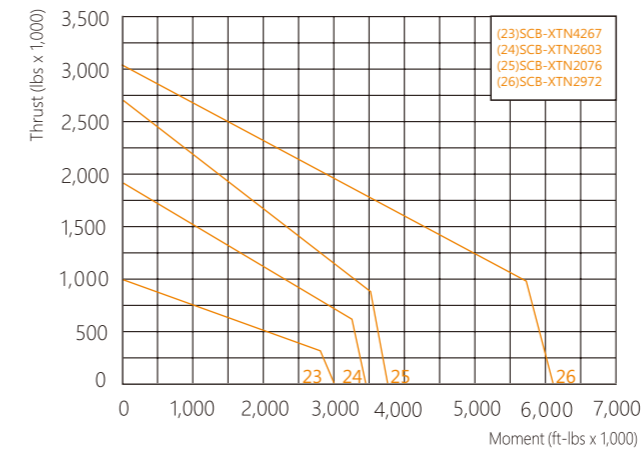
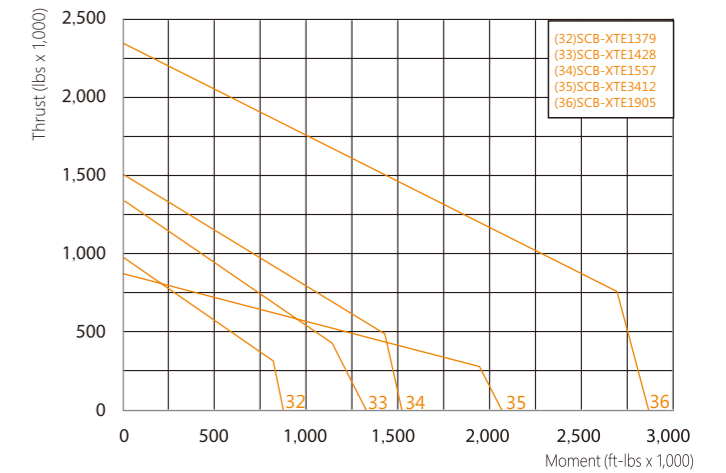
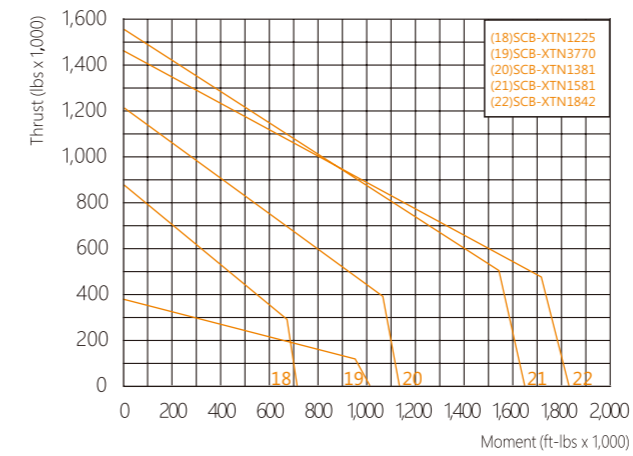
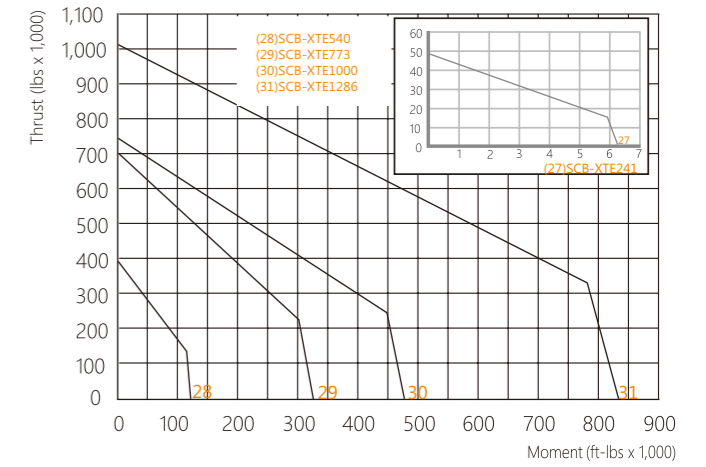
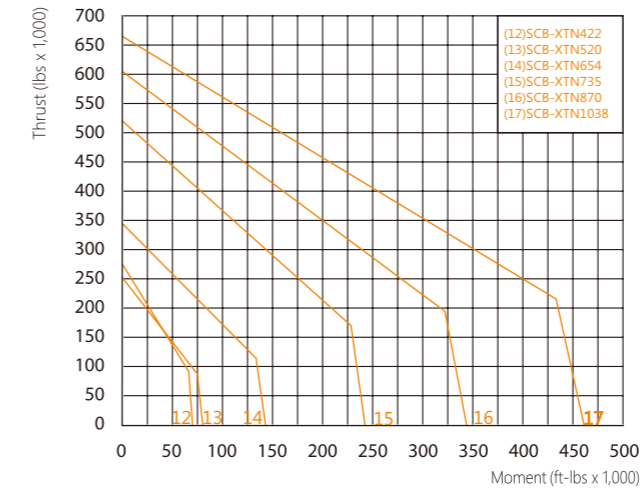
SCB-XT Load Ratings**

**Ratings based on bearing capability, consult SoCare® engineering to ensure design criteria.



SCB-XT Load Ratings**

**Ratings based on bearing capability, consult SoCare® engineering to ensure design criteria.





PO#12495-03
ITEM:MT0324T-HMS
SOCARE®



SCB-KH Series

Introduction

SCB-KH bearings have rectangular cross section rings.
 OD size range :16"-37"
 Ideal for precise positioning.

Construction

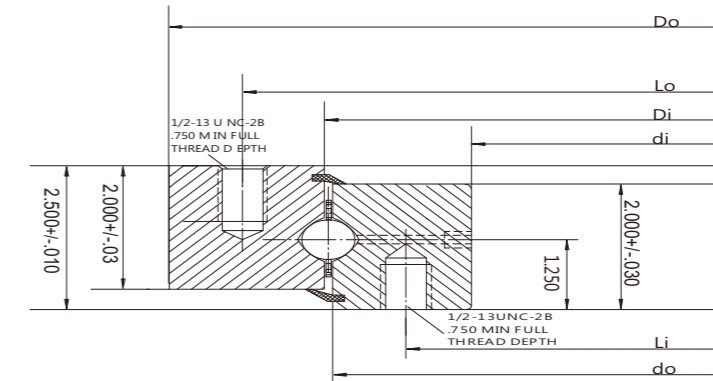
- Internal preload
- Axial runout .001
- Radial runout .002
- 4 point contact
- Ball separator
- AGMA 8 class (Contact SoCare® if you need higher precision ,AGMA8-AGMA11 even AGMA14 could be available for SoCare® which is subject to the bearing size.)

- Sealed
- Ring Configuration:
 - Non geared
 - External gear
 - Internal gear (upon request)
- Grease fittings for lubrication

Applications

- Indexing table
- Radar
- Robotics
- Medical
- Satellite

↘ No Gear



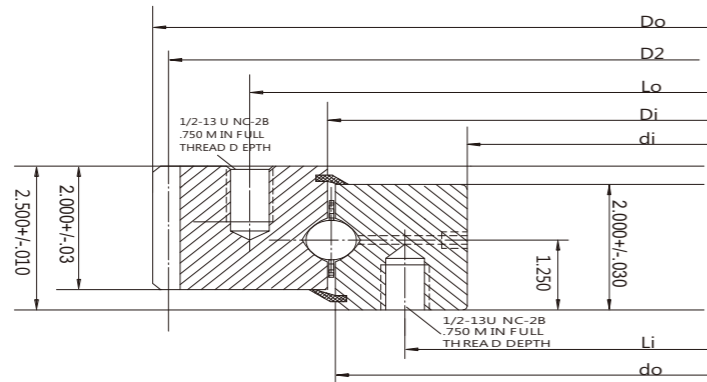
SOCARE® No.	KAYDON® No.	OUTLINE DIMENSIONS AND WEIGHT(IN)					MOUNTING HOLES			
		Do	di	Di	do	G(LBS) Approx.	OUTER RING		INNER RING	
							Lo	no	Li	ni
SCB-KH419P	KH-125P	16.500	8.625	12.750	12.250	80	14.750	16	10.250	16
SCB-KH520P	KH-166P	20.500	12.750	16.875	16.375	105	18.875	20	14.375	20
SCB-KH678P	KH-225P	26.700	18.500	22.750	22.250	150	24.500	18	20.500	18
SCB-KH805P	KH-275P	31.700	23.500	27.750	27.250	185	29.500	24	25.500	24
SCB-KH932P	KH-325P	36.700	28.500	32.750	32.250	220	34.500	28	30.500	28
Tolerances		±.050	±.050				⊕.030		⊕.030	

*Note:
 Di/do= +0/-.002 tolerance for SCB-KH419P through SCB-KH678P.
 Di/do= +0/-.003 tolerance for SCB-KH805P through SCB-KH932P.

Contact SoCare® about custom features, configurations and construction.
 (mounting holes, materials, coating, internal clearance)



External Gear



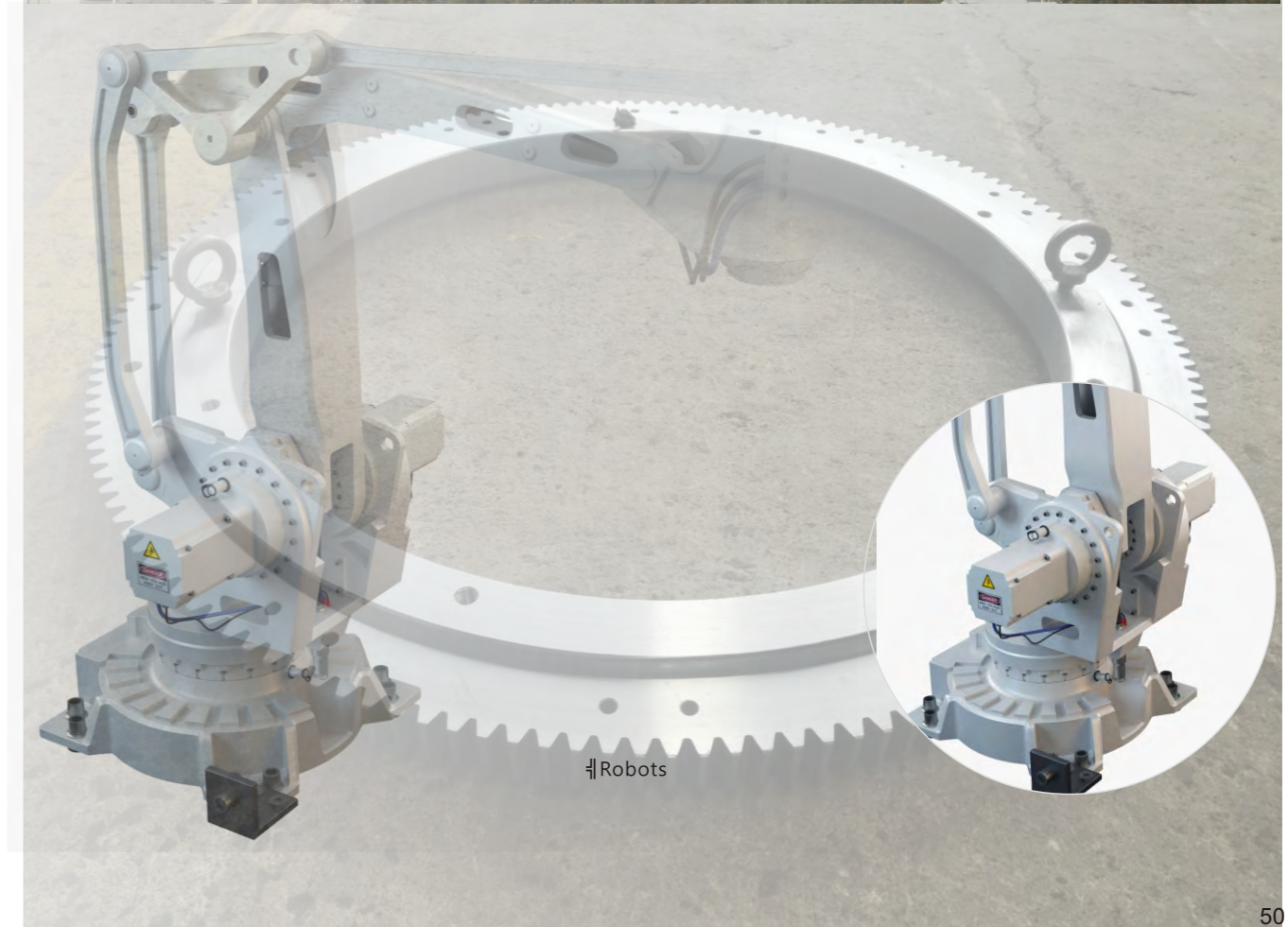
SOCARE® No.	KAYDON® No.	OUTLINE DIMENSIONS (IN) AND WEIGHT (LBS)				G (LBS) Approx.	Moment Rating Crm (ft-lbs)
		Do	di	Di	do		
SCB-KH419E	KH-125E	16.500	8.625	12.750	12.250	75	50,500
SCB-KH520E	KH-166E	20.500	12.750	16.875	16.375	100	72,700
SCB-KH678E	KH-225E	26.667	18.500	22.750	22.250	140	91,800
SCB-KH805E	KH-275E	31.667	23.500	27.750	27.250	175	111,900
SCB-KH932E	KH-325E	36.667	28.500	32.750	32.250	205	128,000
Tolerances		±.020	±.050				

SOCARE® No.	KAYDON® No.	MOUNTING HOLES				Gear Data				
		OUTER RING		INNER RING		INV.STUB, α=20°, AGMA Q8				
		Lo	no	Li	ni	D2 (in)	Pd (in)	Z2	b2	Fz (lbs)
SCB-KH419E	KH-125E	14.750	16	10.250	16	16.167	6	97	2.000	5,480
SCB-KH520E	KH-166E	18.875	20	14.375	20	20.167	6	121	2.000	5,570
SCB-KH678E	KH-225E	24.500	18	20.500	18	26.333	6	158	2.000	5,670
SCB-KH805E	KH-275E	29.500	24	25.500	24	31.333	6	188	2.000	5,700
SCB-KH932E	KH-325E	34.500	28	30.500	28	36.333	6	218	2.000	5,730
Tolerances		⌀.030		⌀.030					±.030	

Contact SoCare® about custom features, configurations and construction.
(mounting holes, materials, coating, internal clearance)



Satellite antennas



Robots



SCB-DT Series

Introduction

SCB-DT = Double row eight point ball contact
 80% increase in capacity vs 4 point contact single row
 OD size range : 17"-180"
 Greater capacity using less space

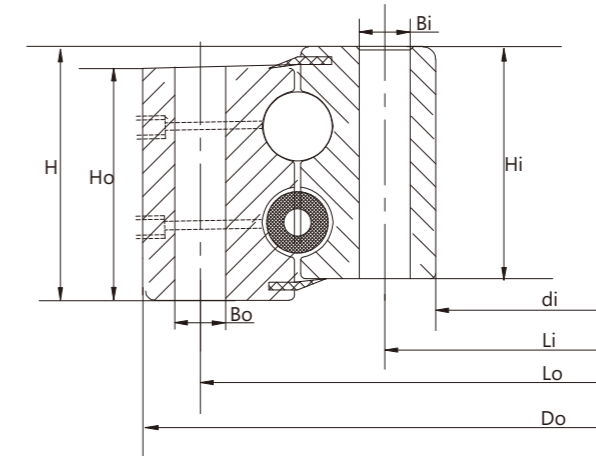
Construction

- Double row 8 point contact
- Sealed
- Ring Configuration:
 Non geared
 External gear
 Internal gear
- Grease fittings for lubrication

Applications

- Excavators
- Cranes
- Mining
- Wind Turbine
- Steel Coil Handling

↘ No Gear



SOCARE® No.	KAYDON® No.	OUTLINE DIMENSIONS(IN) AND WEIGHT(LBS)				G(LBS) Approx.
		Do	di	H	Hi/Ho	
SCB-DT517	16282001	20.375	12.250	4.500	4.185	210
SCB-DT756	16283001	29.750	18.620	7.000	6.500/6.551	645
SCB-DT1052	16284001	41.417	30.236	7.480	6.890	1,060
SCB-DT1428	16015001	56.250	43.750	6.750	6.380	1,520
SCB-DT1924	16285001	75.750	59.750	8.750	8.375	3,540
SCB-DT3327	16286001	131.000	114.000	8.000	7.500	6,950
SCB-DT4318	13004001	170.000	150.000	9.875	9.250	11,950

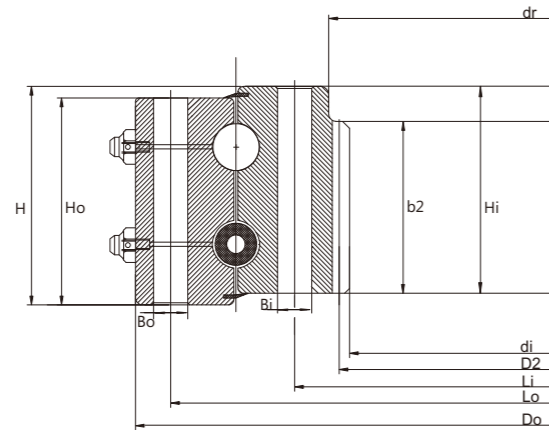
Contact SoCare® about custom features, configurations and construction.
 (mounting holes, materials, coating, internal clearance)

SOCARE® No.	KAYDON® No.	MOUNTING HOLES						Moment Rating Crm (ft-lbs)
		OUTER RING			INNER RING			
		Lo	no	Bo	Li	ni	Bi	
SCB-DT517	16282001	18.875	20	0.688	13.625	20	0.688	102,500
SCB-DT756	16283001	27.875	34	0.813	20.375	32	0.813	363,100
SCB-DT1052	16284001	39.449	36	0.866	32.205	36	0.866	734,800
SCB-DT1428	16015001	53.630	36	1.313	46.380	36	1 1/4-7	2,083,600
SCB-DT1924	16285001	73.625	48	1.004	62.375	36	1.250	2,934,900
SCB-DT3327	16286001	127.000	64	1.313	118.000	64	1.313	5,666,800
SCB-DT4318	13004001	166.000	64	1.625	154.000	64	1.625	8,098,000

Contact SoCare® about custom features, configurations and construction.
 (mounting holes, materials, coating, internal clearance)



Internal Gear



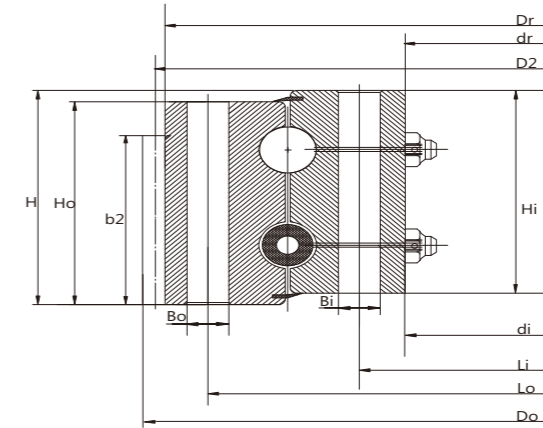
SOCARE® No.	KAYDON® No.	OUTLINE DIMENSIONS(IN)					Gear Data INV.STUB, α=20°					
		Do	di	H	Hi/Ho	dr	D2 (in)	Pd/m (in)	Z2	b2 (in)	X2	Tooth Form
SCB-DTN1440	16274001	56.693	43.661	5.472	5.118	46.142	44.094	<14>	80	4.134	-.5	FD
SCB-DTN1676	16275001	66.000	47.600	8.000	7.625	50.125	48.667	1.5	73	5.500	0	SD
SCB-DTN1791	16276001	70.500	50.200	8.625	8.312	52.125	51.000	2	102	5.000	0	SD
SCB-DTN2080	16277001	81.890	65.248	5.591	5.197	67.520	65.669	<12>	139	3.937	-.5	FD
SCB-DTN2392	16278001	94.173	77.008	7.126	6.732	79.291	77.480	<12>	164	3.937	-.5	FD
SCB-DTN2778	16279001	109.375	87.170	9.312	8.937/8.000	87.170	87.874	<18>	124	6.000	-.5	FD
SCB-DTN3073	16280001	121.000	98.400	8.750	8.438	102.25	100.00	1.25	125	6.000	0	FD
SCB-DTN3581	16281001	141.000	114.941	11.180	10.00/10.43	120.71	116.221	<18>	165	10.00	-.5	FD

Contact SoCare® about custom features, configurations and construction.
(mounting holes, materials, coating, internal clearance)

SOCARE® No.	KAYDON® No.	MOUNTING HOLES						WEIGHT G Approx. (lbs)	Max Gear Tooth Loading Fz (lbs)	Moment Rating Crm (ft-lbs)
		OUTER RING			INNER RING					
		Lo	no	Bo	Li	ni	Bi			
SCB-DTN1440	16274001	54.724	48	0.886	48.425	48	0.866	1,200	48,640	1,225,400
SCB-DTN1676	16275001	63.000	42	1.625	53.000	45	1.625	2,820	78,680	3,921,100
SCB-DTN1791	16276001	67.625	36	1 1/2-6	55.000	40	1.625	3,700	56,400	4,863,400
SCB-DTN2080	16277001	78.740	54	1.299	70.866	54	1.299	2,460	41,140	2,534,900
SCB-DTN2392	16278001	90.787	60	1.535	82.677	60	1.535	3,410	40,770	3,896,200
SCB-DTN2778	16279001	102.953	66	1.593	93.504	66	1.593	7,100	94,870	9,075,400
SCB-DTN3073	16280001	117.000	72	1.625	105.000	72	1.625	7,440	106,940	8,751,800
SCB-DTN3581	16281001	133.661	90	1.625	124.252	90	1.625	14,850	155,340	12,625,000

Contact SoCare® about custom features, configurations and construction.
(mounting holes, materials, coating, internal clearance)

External Gear



SOCARE® No.	KAYDON® No.	OUTLINE DIMENSIONS(IN)					Gear Data INV.STUB, α=20°					
		Do	di	H	Hi/Ho	Dr	D2 (in)	Pd/m (in)	Z2	b2 (in)	X2	Tooth Form
SCB-DTE434	16258001	17.086	10.250	3.313	3.000	17.086	16.800	5/7	84	1.750	0	FS
SCB-DTE1270	16264001	50.016	38.504	5.512	5.157/4.567	48.425	49.134	<8>	156	3.346	+.5	FD
SCB-DTE1428	16265001	56.240	41.370	7.125	6.668	54.675	55.600	2.5	139	4.000	0	SD
SCB-DTE1747	16266001	68.800	51.250	7.375	6.875/7.000	68.800	68.000	2	136	4.000	0	FD
SCB-DTE1915	16267001	75.394	58.500	6.110	5.750	73.307	74.016	<10>	188	4.130	+.8	FD
SCB-DTE2265	16268001	89.181	71.400	7.090	6.650/6.730	96.566	87.638	<14>	159	5.080	+.5	FD
SCB-DTE2406	16269001	94.742	72.250	9.125	8.375/8.750	92.500	94.000	2	188	5.500	0	SD
SCB-DTE2616	16270001	102.992	84.134	7.205	6.654	99.331	100.787	<20>	128	5.709	+.5	FD
SCB-DTE3169	16271001	124.800	98.375	11.250	9.375/10.75	124.80	123.200	1.25	154	6.000	0	FD
SCB-DTE3652	16272001	143.800	114.000	11.062	10.25/10.437	143.80	143.000	2	286	8.000	0	SD
SCB-DTE4572	16273001	180.000	150.000	10.625	10.000	175.25	178.000	1	178	7.000	0	FD

Contact SoCare® about custom features, configurations and construction.
(mounting holes, materials, coating, internal clearance)

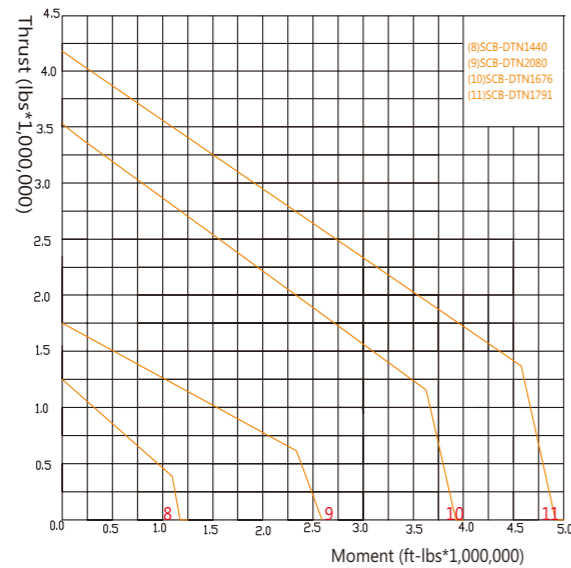
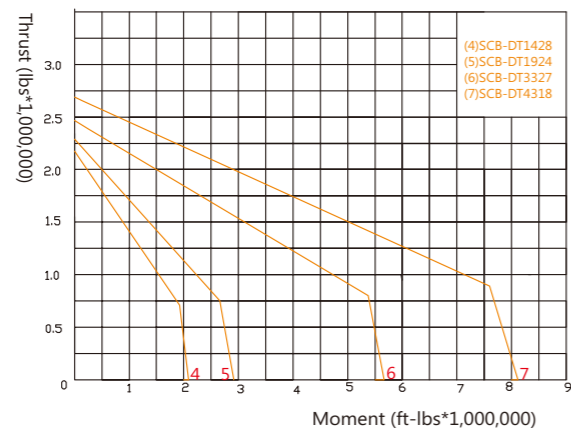
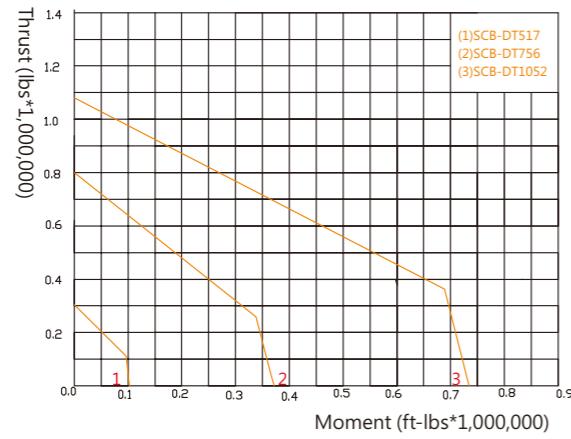
SOCARE® No.	KAYDON® No.	MOUNTING HOLES						WEIGHT G Approx. (lbs)	Max Gear Tooth Loading Fz (lbs)	Moment Rating Crm (ft-lbs)
		OUTER RING			INNER RING					
		Lo	no	Bo	Li	ni	Bi			
SCB-DTE434	16258001	15.354	18	0.563	11.614	24	0.563	105	6,850	65,200
SCB-DTE1270	16264001	46.496	42	M24*3	40.551	48	1.024	870	19,390	970,400
SCB-DTE1428	16265001	52.000	30	1.313	44.000	30	1.313	1,730	30,480	2,132,100
SCB-DTE1747	16266001	64.250	36	1.438	55.000	42	1.438	2,850	36,480	3,470,900
SCB-DTE1915	16267001	70.500	48	1.313	61.366	48	1.313	2,450	31,400	3,335,700
SCB-DTE2265	16268001	83.622	60	1.299	74.016	60	1.299	3,360	53,760	4,793,200
SCB-DTE2406	16269001	89.750	60	1.625	75.250	68	1.625	3,560	55,490	8,669,000
SCB-DTE2616	16270001	95.906	64	1.299	87.205	68	1.535	3,970	92,060	3,658,500
SCB-DTE3169	16271001	117.625	72	1.875	103.625	72	1.875	10,500	86,780	14,639,200
SCB-DTE3652	16272001	136.625	72	2.156	121.375	72	2.156	14,980	85,120	18,293,300
SCB-DTE4572	16273001	170.000	80	1.875	156.250	80	1.875	22,100	129,080	18,000,000

Contact SoCare® about custom features, configurations and construction.
(mounting holes, materials, coating, internal clearance)



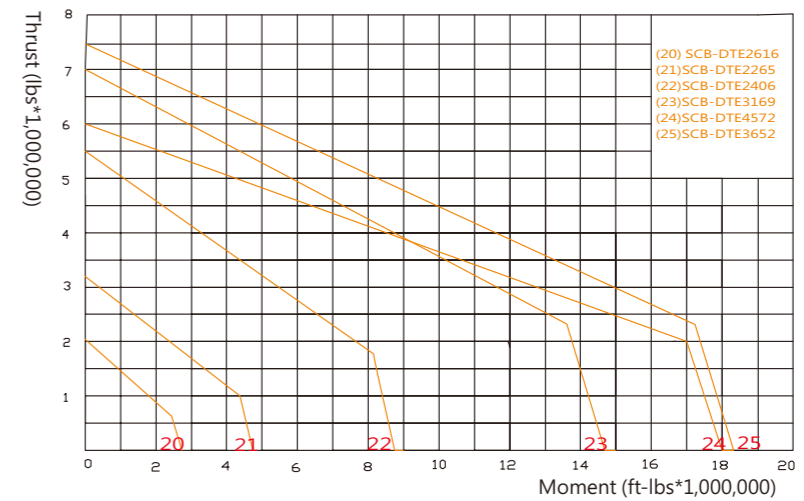
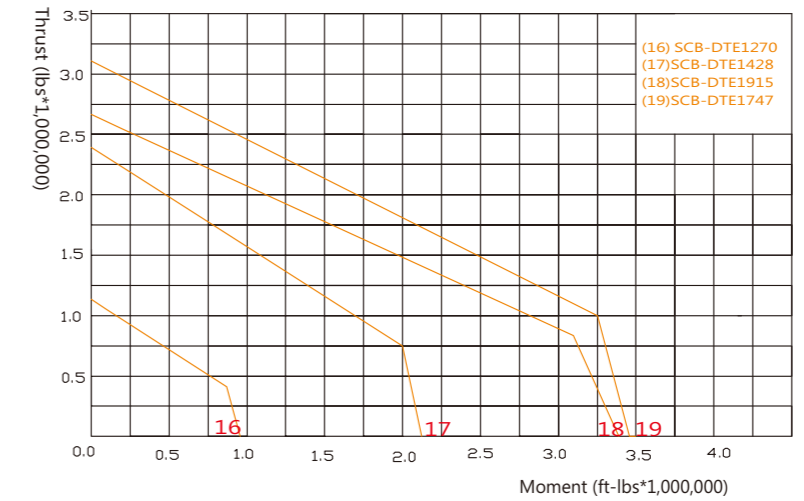
SCB-DT Load Ratings**

**Ratings based on bearing capability, consult SoCare® engineering to ensure design criteria.



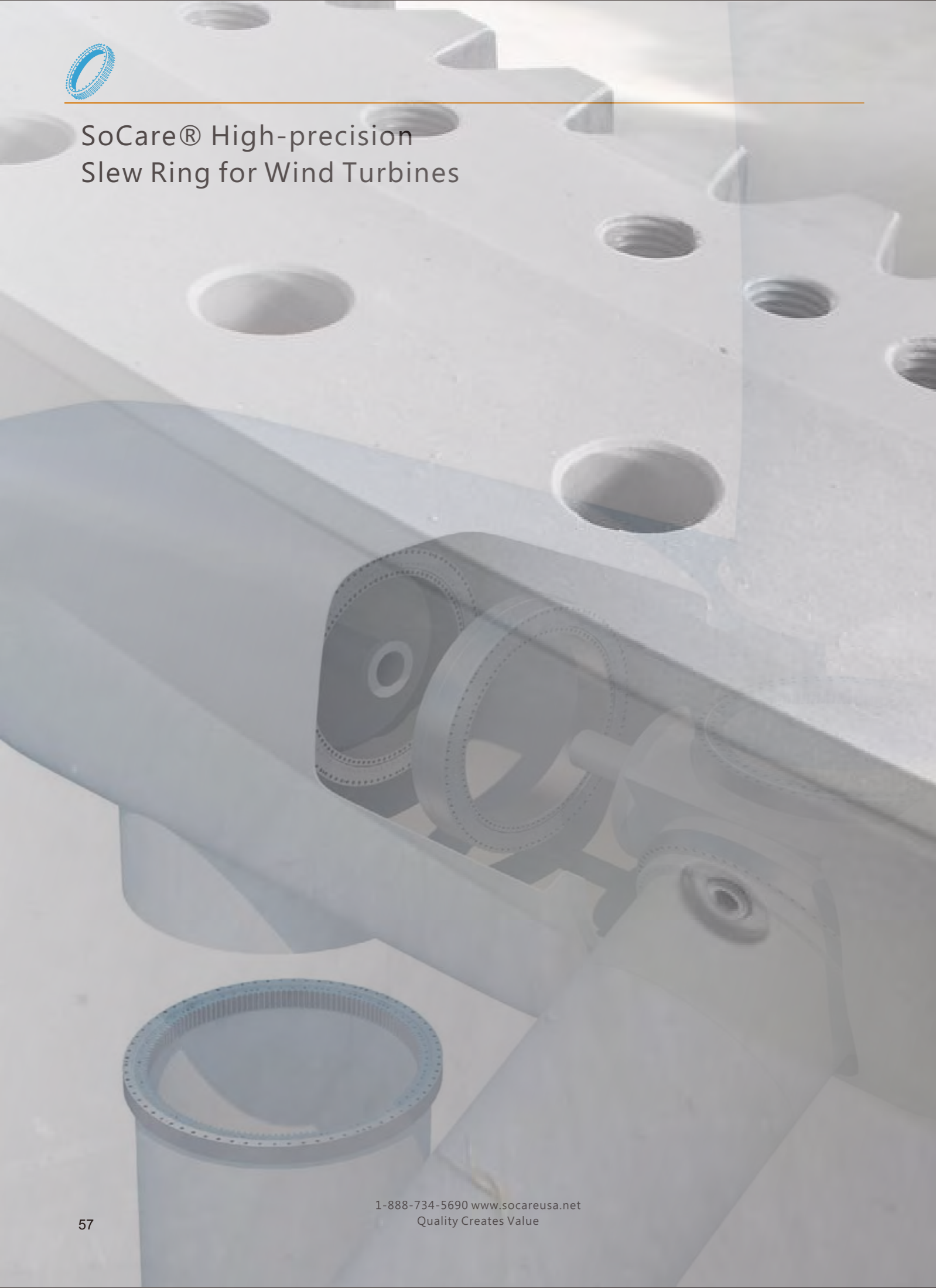
SCB-DT Load Ratings**

**Ratings based on bearing capability, consult SoCare® engineering to ensure design criteria.





SoCare® High-precision
Slew Ring for Wind Turbines





SCB-XR Series

Introduction

SCB-XR cross roller bearings
 Provides higher level of stiffness while not increasing rotational torque
 OD size range up : 11"-209"

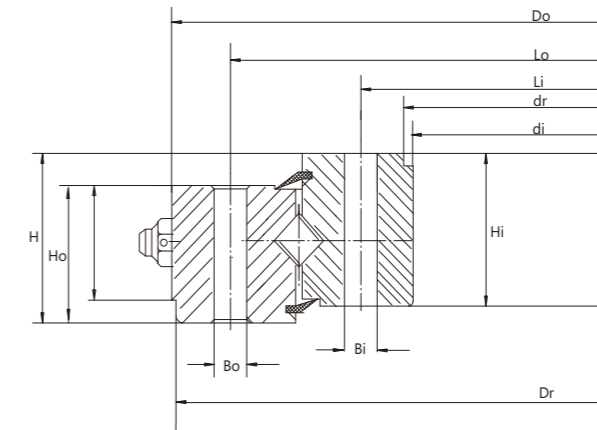
Construction

- Cylindrical rollers in V shaped rolling path
- Rollers in alternating axis of rotation
- Sealed
- Ring Configuration:
 - Non geared
 - External gear
 - Internal gear
- Grease fittings for lubrication

Applications

- Robotics
- Military
- Machine tools
- Radar
- Satellite

↘ No Gear



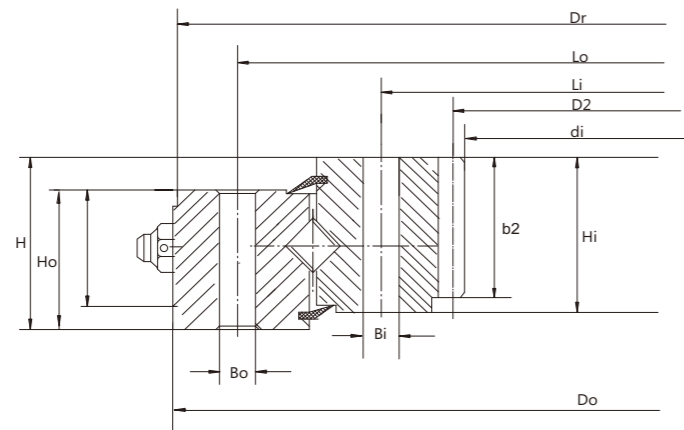
SOCARE® No.	KAYDON® No.	OUTLINE DIMENSIONS(IN) AND WEIGHT(LBS)						
		Do	di	H	Hi/Ho	Dr	dr	G(LBS) Approx.
SCB-XR300	16318001	11.811	5.512	1.417	1.181	-	-	30
SCB-XR403	16319001	15.886	9.055	2.165	1.772/1.850	-	-	65
SCB-XR695	16320001	27.362	18.779	3.031	2.520/2.244	27.283	18.897	185
SCB-XR897	16321001	35.312	26.625	2.953	2.863	35.251	26.750	325
SCB-XR1175	16322001	46.250	34.250	4.250	3.880	-	34.380	765
SCB-XR1432	16323001	56.380	46.770	3.820	3.470/3.430	56.295	46.850	710
SCB-XR2159	16324001	85.000	74.000	3.750	3.250	84.880	74.120	1,190
SCB-XR2413	16325001	95.000	82.000	4.000	3.500	94.875	82.063	1,660
SCB-XR3350	16326001	131.890	112.205	7.874	6.496/7.087	131.250	120.866	6,500
SCB-XR4030	16327001	158.661	140.945	8.819	6.654	-	-	6,400

SOCARE® No.	KAYDON® No.	MOUNTING HOLES						Moment Rating Crm (ft-lbs)
		OUTER RING			INNER RING			
		Lo	no	Bo	Li	ni	Bi	
SCB-XR300	16318001	10.630	6	M16*2	6.693	6	M16*2	7,530
SCB-XR403	16319001	14.094	24	0.512	10.197	24	0.512	20,140
SCB-XR695	16320001	25.197	28	0.709	20.000	28	0.709	65,660
SCB-XR897	16321001	34.000	24	1/2-13	29.000	24	0.590	116,170
SCB-XR1175	16322001	44.000	28	1-8	36.250	28	1.063	425,900
SCB-XR1432	16323001	40.000	36	0.813	33.875	36	3/4-16	482,960
SCB-XR2159	16324001	83.000	42	0.938	76.000	42	0.938	956,430
SCB-XR2413	16325001	93.000	48	1.063	85.000	48	1.063	1,450,300
SCB-XR3350	16326001	127.559	40	M36*3	116.535	40	1.496	4,185,500
SCB-XR4030	16327001	155.315	92	1.654	144.291	92	1.654	4,879,900

Contact SoCare® about custom features, configurations and construction.
 (mounting holes, materials, coating, internal clearance)



Internal Gear



SOCARE® No.	KAYDON® No.	OUTLINE DIMENSIONS (IN)						Gear Data INV.STUB, $\alpha=20^\circ$					
		Do	di	H	Hi/Ho	Dr	dr	D2 (in)	Pd/m (in)	Z2	b2 (in)	X2	Tooth Form
SCB-XRN678	16328001	26.700	18.667	2.500	2.000	-	-	19.000	6	114	2.000	0	FD
SCB-XRN914	16329001	36.000	24.160	3.880	3.380	-	-	24.800	2.5	62	3.380	0	SD
SCB-XRN1054	16330001	41.500	30.320	4.190	3.370/4.000	-	32.360	30.800	2.5	77	3.500	-.4	FD
SCB-XRN1066	16331001	41.970	30.828	3.350	2.560/2.950	41.929	-	31.102	<10>	79	2.950	-.625	FD
SCB-XRN1390	16332001	54.740	44.400	4.500	3.750/4.130	-	46.380	45.200	2.5	113	3.750	0	FD
SCB-XRN2002	16333001	78.819	62.913	5.906	4.921	-	65.157	63.307	<12>	134	4.528	-.5	FD
SCB-XRN2896	16334001	114.000	95.000	6.000	5.500	-	97.500	96.000	2	192	5.000	0	FD
SCB-XRN3085	16335001	121.496	97.717	6.772	6.299	-	-	98.268	<24>	104	6.299	-.708	FD
SCB-XRN3607	16336001	142.000	123.200	6.000	5.500	-	-	124.00	2	248	5.500	0	FD

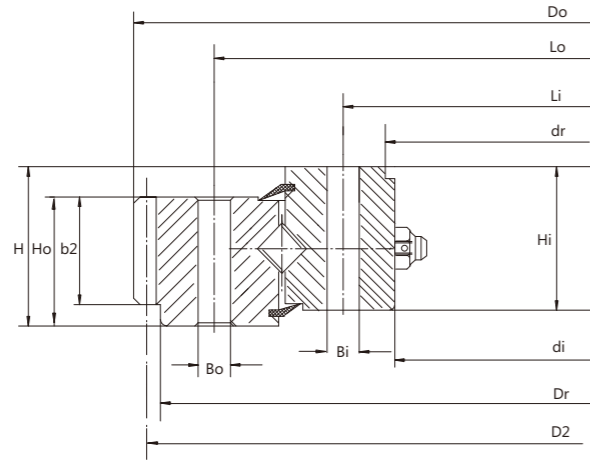
SOCARE® No.	KAYDON® No.	MOUNTING HOLES						WEIGHT G Approx. (lbs)	Max Gear Tooth Loading Fz (lbs)	Moment Rating Crm (ft-lbs)
		OUTER RING			INNER RING					
		Lo	no	Bo	Li	ni	Bi			
SCB-XRN678	16328001	24.500	18	1/2-13	20.500	18	1/2-13	130	6,345	65,430
SCB-XRN914	16329001	33.250	24	0.813	27.250	30	3/4-10	465	27,300	213,180
SCB-XRN1054	16330001	40.000	36	0.807	33.500	36	3/4-16	510	27,600	362,220
SCB-XRN1066	16331001	39.961	24	M20*2.5	34.646	24	M20*2.5	400	22,820	211,160
SCB-XRN1390	16332001	53.000	36	0.922	48.000	36	7/8-14	500	28,600	460,450
SCB-XRN2002	16333001	76.575	48	1.181	67.520	48	1.181	2,050	40,350	1,315,740
SCB-XRN2896	16334001	111.000	48	1.063	100.000	48	1-8	4,250	54,550	2,389,570
SCB-XRN3085	16335001	117.795	72	1.535	105.512	72	1.535	6,080	134,720	3,797,780
SCB-XRN3607	16336001	139.000	72	1.063	128.000	72	1.063	5,370	50,440	4,057,130

Contact SoCare® about custom features, configurations and construction.
(mounting holes, materials, coating, internal clearance)





External Gear

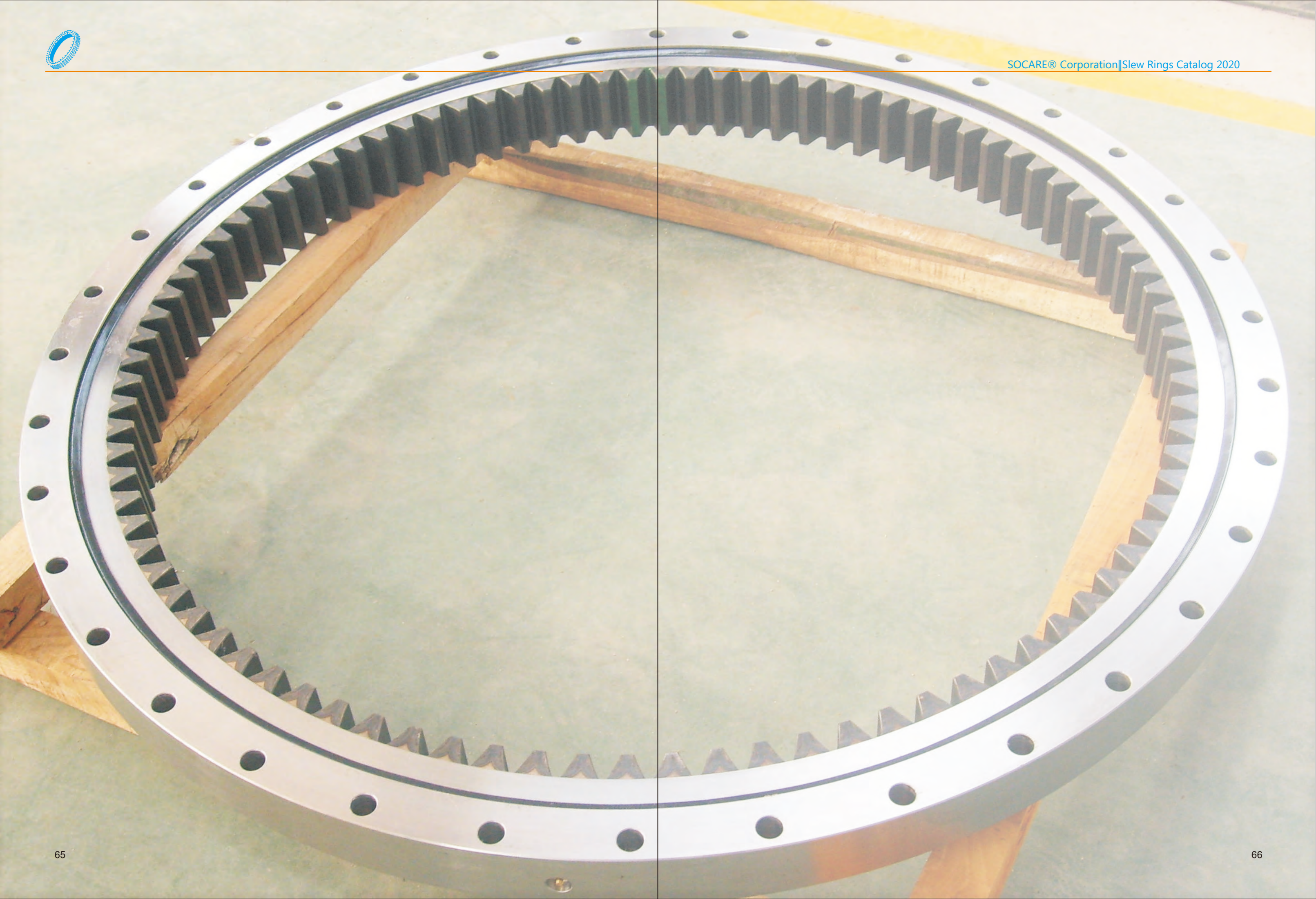


SOCARE® No.	KAYDON® No.	OUTLINE DIMENSIONS (IN)							Gear Data INV.STUB, α=20°				
		Do	di	H	Hi/Ho	Dr	dr	D2 (in)	Pd/m (in)	Z2	b2 (in)	X2	Tooth Form
SCB-XRE406	16337001	16.000	9.190	2.170	1.770/1.850	14.880	9.250	15.600	5	78	1.460	0	FD
SCB-XRE592	16338001	23.333	13.750	2.750	2.500	-	-	23.000	6	138	2.500	0	SD
SCB-XRE695	16339001	27.362	18.780	3.030	2.520/2.240	26.380	18.900	26.969	<5>	137	1.650	0	FD
SCB-XRE854	16340001	33.627	26.535	2.205	1.752	-	-	33.071	<8>	105	1.752	0	FD
SCB-XRE922	16341001	36.333	24.500	4.690	4.310/3.880	35.500	24.625	36.000	6	216	4.000	0	FD
SCB-XRE1144	16342001	45.050	34.180	3.930	3.360/3.470	42.840	34.250	43.701	<10>	111	2.580	+0.713	FD
SCB-XRE1296	16343001	51.040	40.000	4.000	3.500	-	-	50.400	2.5	126	3.500	0	SD
SCB-XRE1604	16344001	63.150	47.480	5.118	4.409	61.063	47.559	61.811	<10>	157	3.346	+0.750	FD
SCB-XRE1791	16345001	70.510	53.540	5.040	4.330	-	-	68.346	<14>	124	4.330	+1.15	FD
SCB-XRE2181	16346001	85.866	75.250	3.300	2.800	-	-	85.333	3	256	2.800	0	SD
SCB-XRE2557	16347001	100.667	84.000	6.500	6.500/4.000	98.750	84.250	100.00	3	300	6.000	0	FD
SCB-XRE4060	16348001	159.843	141.732	6.142	5.748	-	-	158.11	<16>	251	5.748	+0.500	FD
SCB-XRE5330	16349001	209.843	188.583	7.047	6.417/6.024	206.299	188.858	206.929	<18>	292	6.102	+1.15	FD

Contact SoCare® about custom features, configurations and construction.
(mounting holes, materials, coating, internal clearance)

SOCARE® No.	KAYDON® No.	MOUNTING HOLES						WEIGHT G Approx. (lbs)	Max Gear Tooth Loading Fz (lbs)	Moment Rating Crm (ft-lbs)
		OUTER RING			INNER RING					
		Lo	no	Bo	Li	ni	Bi			
SCB-XRE406	16337001	14.094	24	0.562	10.197	24	0.562	55	4,320	13,190
SCB-XRE592	16338001	20.875	12	0.688	15.375	12	0.688	175	7,430	69,470
SCB-XRE695	16339001	25.197	18	0.688	20.000	18	0.688	180	5,725	65,660
SCB-XRE854	16340001	30.906	36	M12*1.75	27.480	40	0.551	140	9,130	77,600
SCB-XRE922	16341001	33.625	24	0.813	26.125	24	0.813	580	12,700	274,290
SCB-XRE1144	16342001	41.338	24	0.866	35.826	24	0.866	470	15,490	223,060
SCB-XRE1296	16343001	48.200	36	0.813	41.800	36	0.813	680	24,380	396,330
SCB-XRE1604	16344001	58.819	36	1.023	50.394	36	1.023	1,420	20,640	861,070
SCB-XRE1791	16345001	65.354	42	1.063	55.906	42	1.063	1,460	36,690	801,340
SCB-XRE2181	16346001	82.750	48	0.813	77.250	48	0.813	920	18,280	686,710
SCB-XRE2557	16347001	95.000	48	1-8	87.000	48	1.063	3,240	32,030	1,557,670
SCB-XRE2181	16346001	154.528	100	1.299	144.685	100	1.299	5,480	67,650	4,874,640
SCB-XRE2557	16347001	202.362	100	1.299	191.339	100	1.299	9,750	81,360	8,903,140

Contact SoCare® about custom features, configurations and construction.
(mounting holes, materials, coating, internal clearance)





SCB-TR Series

Introduction

SCB-TR Tri-Roller Bearings
 Increased stiffness and capacity over SCB-XR and SCB-DT
 OD size range up : 48" - 275"

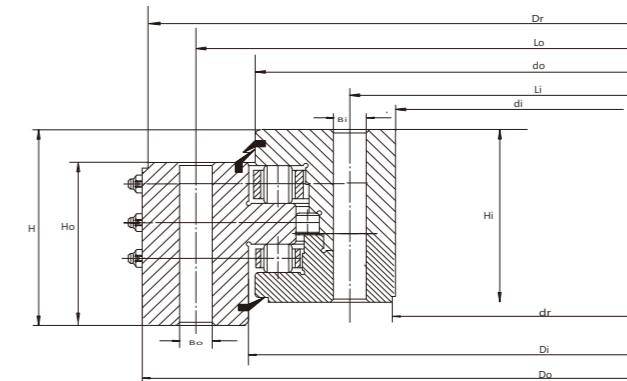
Construction

- Three separate rows of rollers
- Top and bottom rollers transmit thrust and moment load
- Middle roller transmits radial loading
- Sealed
- Ring Configuration:
 - Non geared
 - External gear
 - Internal gear
- Grease fittings for lubrication

Applications

- Mining
- Stackers and reclaimers
- Heavy equipment
- Cranes
- Radar
- Boring machines

↘ No Gear



SOCARE® No.	KAYDON® No.	OUTLINE DIMENSIONS (IN) AND WEIGHT (LBS)								
		Do	di	H	Hi/Ho	Di	dr	Dr	do	G(LBS) Approx.
SCB-TR1233	16349001	48.560	33.000	7.300	6.880/6.380	7.300	7.300	39.310	39.710	1,700
SCB-TR1445	16350001	56.890	41.535	8.661	8.150/6.772	8.661	8.661	47.215	47.563	2,450
SCB-TR1962	16351001	77.250	59.880	7.550	7.000/7.120	7.550	7.550	69.410	70.420	3,400
SCB-TR2362	16352001	93.000	72.500	9.050	8.630/8.620	9.050	9.050	80.960	81.420	5,630
SCB-TR3012	16353001	118.583	97.638	7.677	7.283/6.102	7.677	7.677	107.087	107.402	6,280
SCB-TR3110	16354001	122.480	107.638	9.000	5.472/4.646	9.000	9.000	113.780	113.976	3,500
SCB-TR4013	16356001	158.000	136.500	5.945	8.500/7.250	5.945	5.945	146.280	146.080	10,100
SCB-TR5270	16387001	207.480	187.795	8.819	8.425	8.819	8.819	198.622	199.055	13,200
SCB-TR6000	16366001	236.220	210.236	12.205	9.842/11.811	12.205	12.205	225.433	224.409	25,800

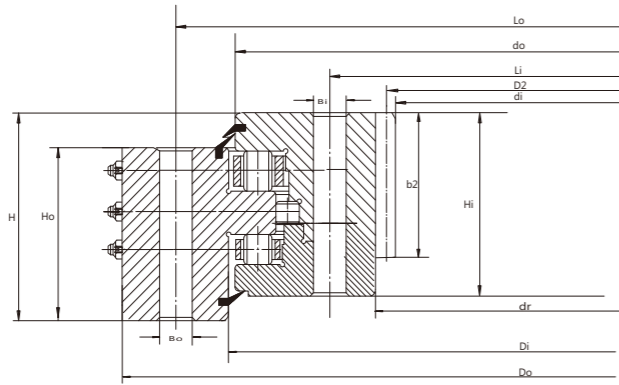
Contact SoCare® about custom features, configurations and construction.
 (mounting holes, materials, coating, internal clearance)

SOCARE® No.	KAYDON® No.	MOUNTING HOLES						Moment Rating Crm (ft-lbs)
		OUTER RING			INNER RING			
		Lo	no	Bo	Li	ni	Bi	
SCB-TR1233	16349001	46.000	32	1.313	36.000	32	1 1/4-7	1,104,700
SCB-TR1445	16350001	54.843	48	1.024	43.583	48	1.024	1,275,900
SCB-TR1962	16351001	74.500	44	1.250	62.500	44	1.250	2,332,400
SCB-TR2362	16352001	89.500	60	1.625	76.000	60	1.625	6,404,300
SCB-TR3012	16353001	115.039	72	1.535	101.181	72	1.535	7,936,000
SCB-TR3110	16354001	119.882	66	1.299	110.236	66	1.299	6,653,000
SCB-TR4013	16356001	154.000	100	1.563	140.500	100	1.563	20,124,000
SCB-TR5270	16387001	202.756	120	1.535	190.945	120	1.535	32,339,000
SCB-TR6000	16366001	231.102	120	1.772	215.354	120	1.772	49,976,000

Contact SoCare® about custom features, configurations and construction.
 (mounting holes, materials, coating, internal clearance)



Internal Gear

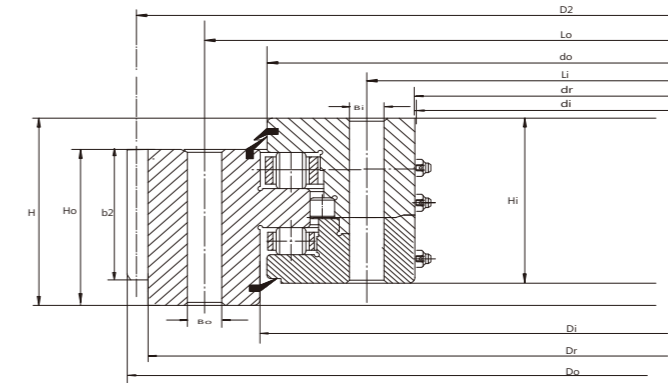


SOCARE® No.	KAYDON® No.	OUTLINE DIMENSIONS (IN)								Gear Data INV. STUB, α=20°					
		Do	di	H	Hi	Ho	Di	do	dr	D2 (in)	Pd/m (in)	Z2	b2 (in)	X2	Tooth Form
SCB-TRN1385	16376001	54.530	41.760	4.720	4.410	3.700	48.150	48.390	43.380	42.400	2.5	106	3.390	0	SD
SCB-TRN1630	16377001	64.173	46.850	7.874	7.283	6.299	54.803	54.567	-	46.850	<10>	119	6.299	-.75	FD
SCB-TRN1791	16378001	70.500	50.200	8.620	8.120	6.750	59.800	60.220	52.250	51.000	2	102	5.000	0	SD
SCB-TRN2216	16379001	87.244	68.032	6.969	6.772	5.315	77.764	78.112	71.102	68.661	<16>	109	4.252	-.5	FD
SCB-TRN2748	16380001	108.189	85.433	8.504	8.150	6.850	97.126	96.339	88.150	85.984	<14>	156	4.724	-.5	FD
SCB-TRN3069	16381001	120.866	97.008	13.701	10.157	11.732	108.740	109.291	97.008	97.874	<22>	113	8.000	-.5	FD
SCB-TRN3190	16382001	125.620	106.333	8.380	6.810	6.880	115.280	115.630	-	107.333	1.5	161	6.880	-.25	FD
SCB-TRN3950	16383001	155.512	131.339	9.055	8.661	7.284	143.307	143.701	133.701	132.284	<12>	280	5.906	0	FD
SCB-TRN4760	16384001	187.402	162.992	9.252	8.858	7.480	175.158	175.591	-	164.567	<20>	209	7.480	0	FD
SCB-TRN5791	16385001	228.000	198.000	11.750	11.25	9.250	213.630	214.130	203.00	200.000	1	200	6.000	0	FD

SOCARE® No.	KAYDON® No.	MOUNTING HOLES						WEIGHT G Approx. (lbs)	Max Gear Tooth Loading Fz (lbs)	Moment Rating Crm (ft-lbs)
		OUTER RING			INNER RING					
		Lo	no	Bo	Li	ni	Bi			
SCB-TRN1385	16376001	52.953	36	1.024	45.079	36	1.024	950	28,250	896,700
SCB-TRN1630	16377001	61.811	48	1.024	50.551	48	1.024	3,650	55,480	1,479,900
SCB-TRN1791	16378001	67.625	48	1 1/2-6	55.000	48	1.563	3,550	56,440	3,514,400
SCB-TRN2216	16379001	84.646	60	1.299	73.819	60	1.299	3,460	60,240	4,250,900
SCB-TRN2748	16380001	104.646	80	1.772	91.890	80	1.772	6,000	57,210	9,038,400
SCB-TRN3069	16381001	117.717	72	1.535	104.724	72	1.535	10,820	143,850	10,642,000
SCB-TRN3190	16382001	122.812	72	1.563	112.250	72	1 1/2-6	5,800	93,140	9,275,100
SCB-TRN3950	16383001	151.969	96	1.535	137.402	96	1.535	10,550	59,840	18,616,000
SCB-TRN4760	16384001	183.858	90	1.535	169.882	90	1.535	14,200	128,000	28,772,000
SCB-TRN5791	16385001	224.000	150	1.563	207.000	150	1.563	24,950	130,700	43,823,000

Contact SoCare® about custom features, configurations and construction.
(mounting holes, materials, coating, internal clearance)

External Gear



SOCARE® No.	KAYDON® No.	OUTLINE DIMENSIONS (IN)								Gear Data INV. STUB, α=20°					
		Do	di	H	Hi	Ho	Di	do	Dr	D2 (in)	Pd/m (in)	Z2	b2 (in)	X2	Tooth Form
SCB-TRE1450	16367001	57.100	42.500	5.000	4.500	4.500	48.850	49.090	53.750	56.000	1.5	84	4.000	-.18	FD
SCB-TRE1811	16368001	71.388	57.000	5.850	4.790	4.630	63.760	64.030	69.040	69.921	<12>	148	3.430	-.50	FD
SCB-TRE2484	16369001	97.795	76.850	7.126	5.472	6.772	86.614	87.047	-	96.378	<18>	136	5.472	0	FD
SCB-TRE2941	16370001	115.800	90.500	10.750	8.500	10.25	104.24	104.04	-	115.000	2	230	8.500	0	SD
SCB-TRE3880	16371001	152.756	129.921	10.039	8.071	9.646	141.535	141.339	-	150.394	<20>	191	8.071	+.50	FD
SCB-TRE4320	16372001	170.079	144.882	9.941	7.638	9.449	156.729	157.155	-	168.504	<20>	214	7.638	0	FD
SCB-TRE5358	16373001	210.968	187.795	8.819	8.425	8.425	198.622	199.055	207.48	208.346	<18>	294	5.906	+.85	FD
SCB-TRE5918	16388001	233.000	203.000	11.750	9.25	11.250	216.880	217.380	228.00	230.000	1	230	7.000	+.50	FD

Contact SoCare® about custom features, configurations and construction.
(mounting holes, materials, coating, internal clearance)

SOCARE® No.	KAYDON® No.	MOUNTING HOLES						WEIGHT G Approx. (lbs)	Max Gear Tooth Loading Fz (lbs)	Moment Rating Crm (ft-lbs)
		OUTER RING			INNER RING					
		Lo	no	Bo	Li	ni	Bi			
SCB-TRE1450	16367001	52.000	40	1.094	44.375	40	1.094	1,250	46,750	829,300
SCB-TRE1811	16368001	66.889	60	1.024	59.252	60	1.024	1,600	27,510	1,329,900
SCB-TRE2484	16369001	91.535	40	1.535	79.921	40	1.535	4,400	70,630	4,129,500
SCB-TRE2941	16370001	109.750	96	1 1/2-6	94.500	96	1 1/2-6	10,000	89,510	12,091,000
SCB-TRE3880	16371001	145.669	90	1.299	133.465	90	1.299	11,130	117,500	11,652,000
SCB-TRE4320	16372001	162.992	120	1.535	148.425	120	1.535	13,830	111,600	24,086,000
SCB-TRE5358	16373001	202.756	120	1.535	190.945	120	1.535	14,330	78,770	32,339,000
SCB-TRE5918	16388001	224.000	150	1.563	207.000	150	1.563	25,500	130,300	43,823,000

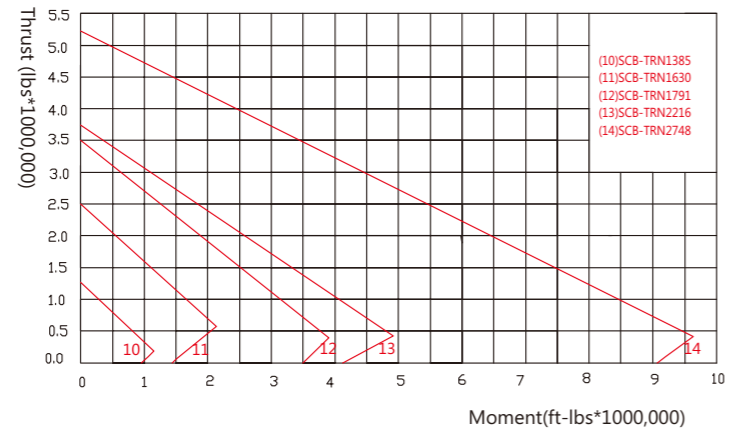
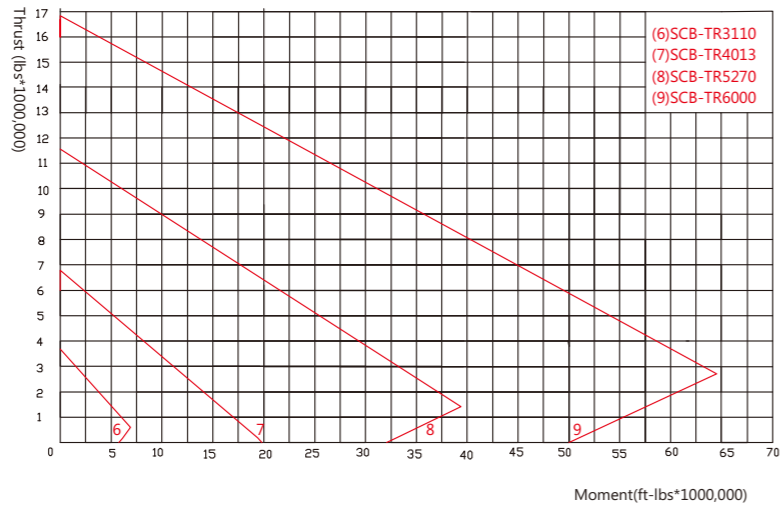
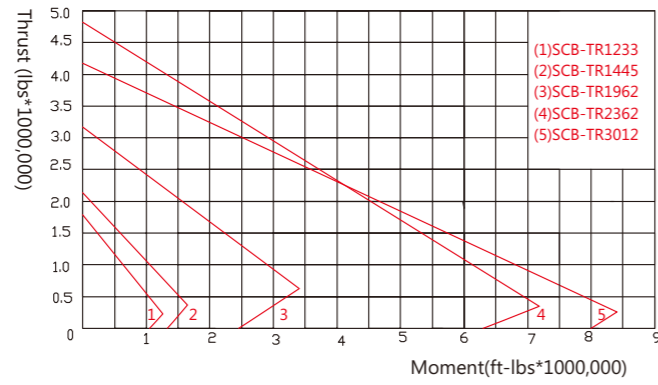
SCB-TRE1450 dr=42.630 SCB-TRE1811 dr=57.080

Contact SoCare® about custom features, configurations and construction.
(mounting holes, materials, coating, internal clearance)



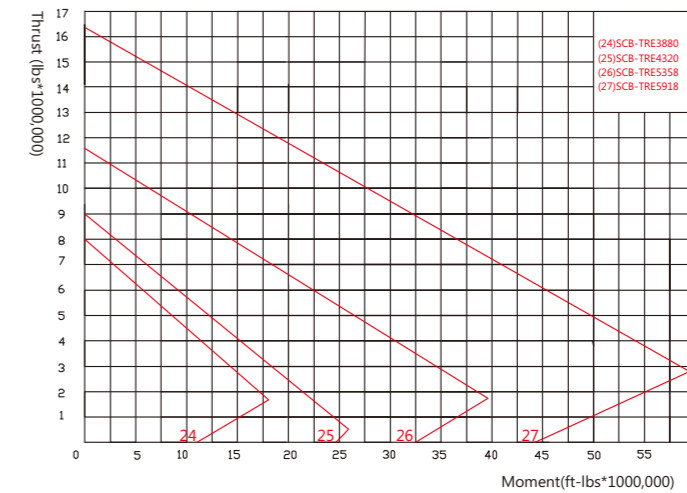
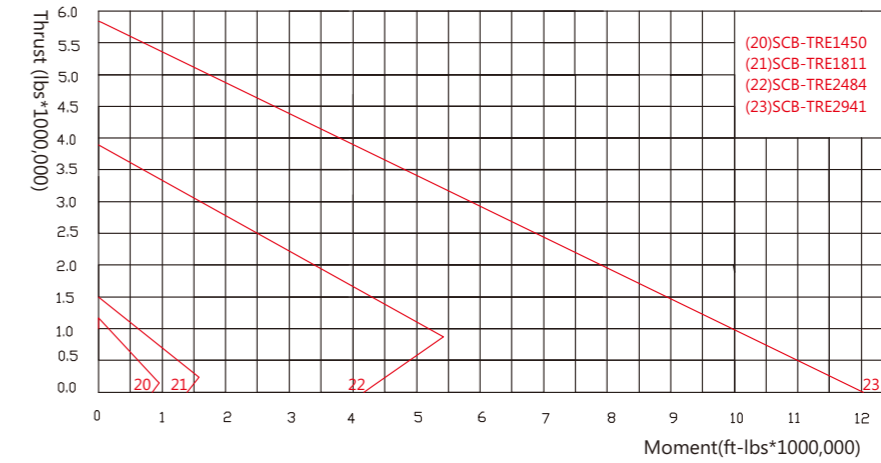
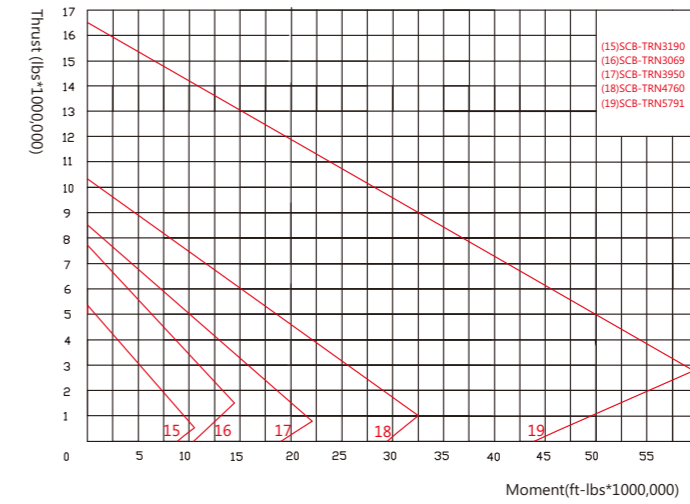
SCB-TR Load Ratings**

**Ratings based on bearing capability, consult SoCare® engineering to ensure design criteria.



SCB-TR Load Ratings**

**Ratings based on bearing capability, consult SoCare® engineering to ensure design criteria.





SoCare® Big-size Slew Rings (4500MM-7000MM OD available)





Mining Shovel

Stacker & Reclaimer

1-888-734-5690 www.socareusa.net
Quality Creates Value

Portable HL-Hardness Tester



Rockwell hardness tester



Metalloscope



CNC Tool Detection

Ultrasonic Fault Detector





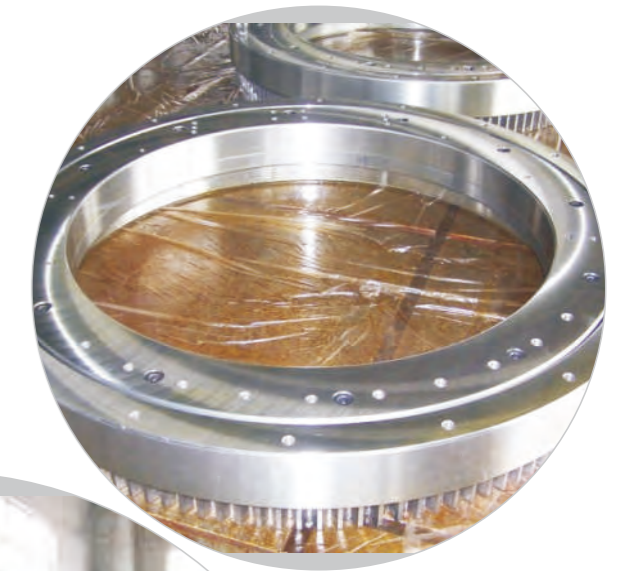
SOCARE®
Geared Shafts



SOCARE®
High-accuracy Gears

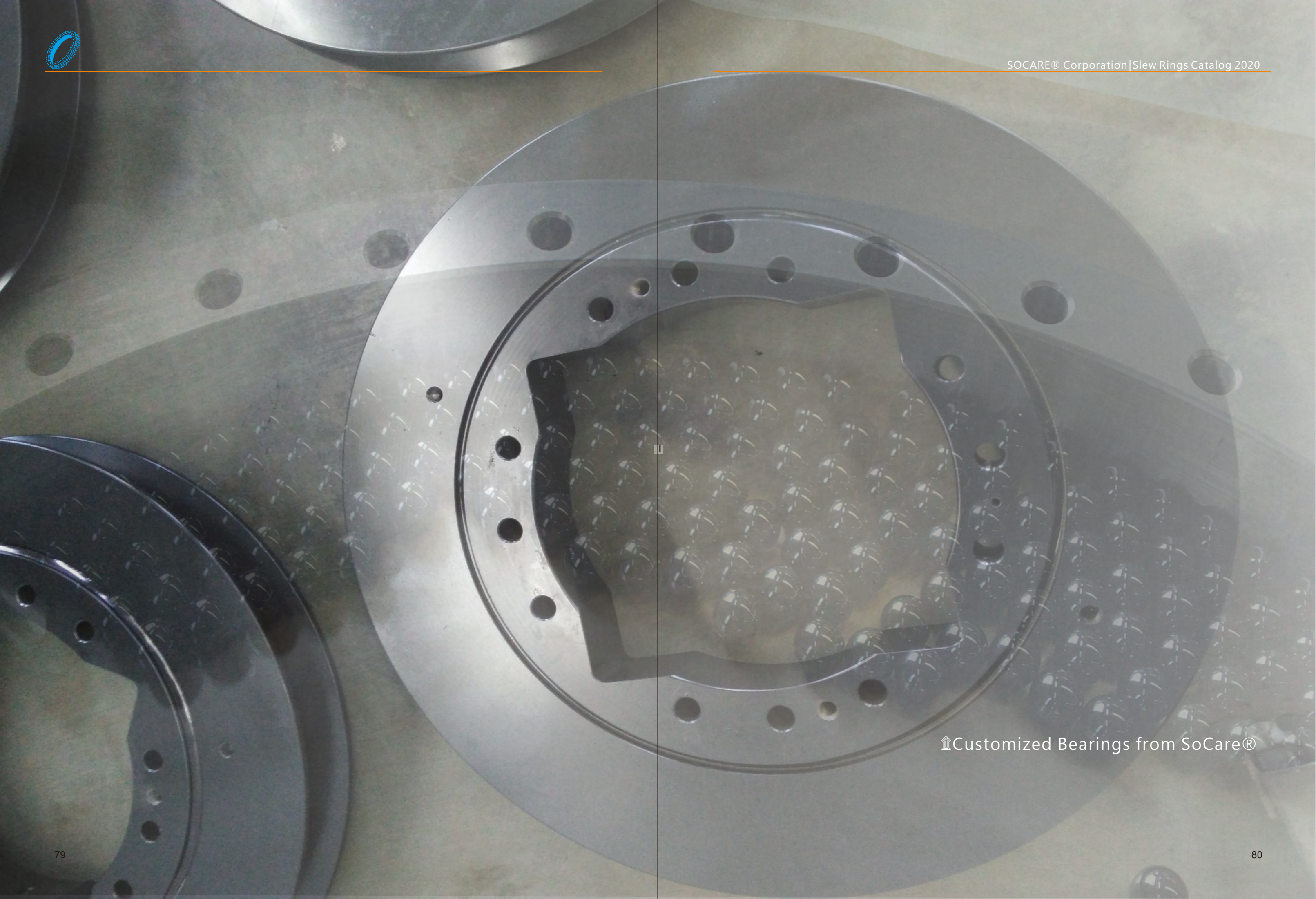


SOCARE®
Ganna Knife
Slew Rings



SOCARE®
Slim Bearings





↑ Customized Bearings from SoCare®



High Quality Raw Material

- 4140 (42CrMo);1053 (50Mn) Alloy Steel
- Gcr15SiMn
- 52100(Gcr15) Chrome/Bearing Steel

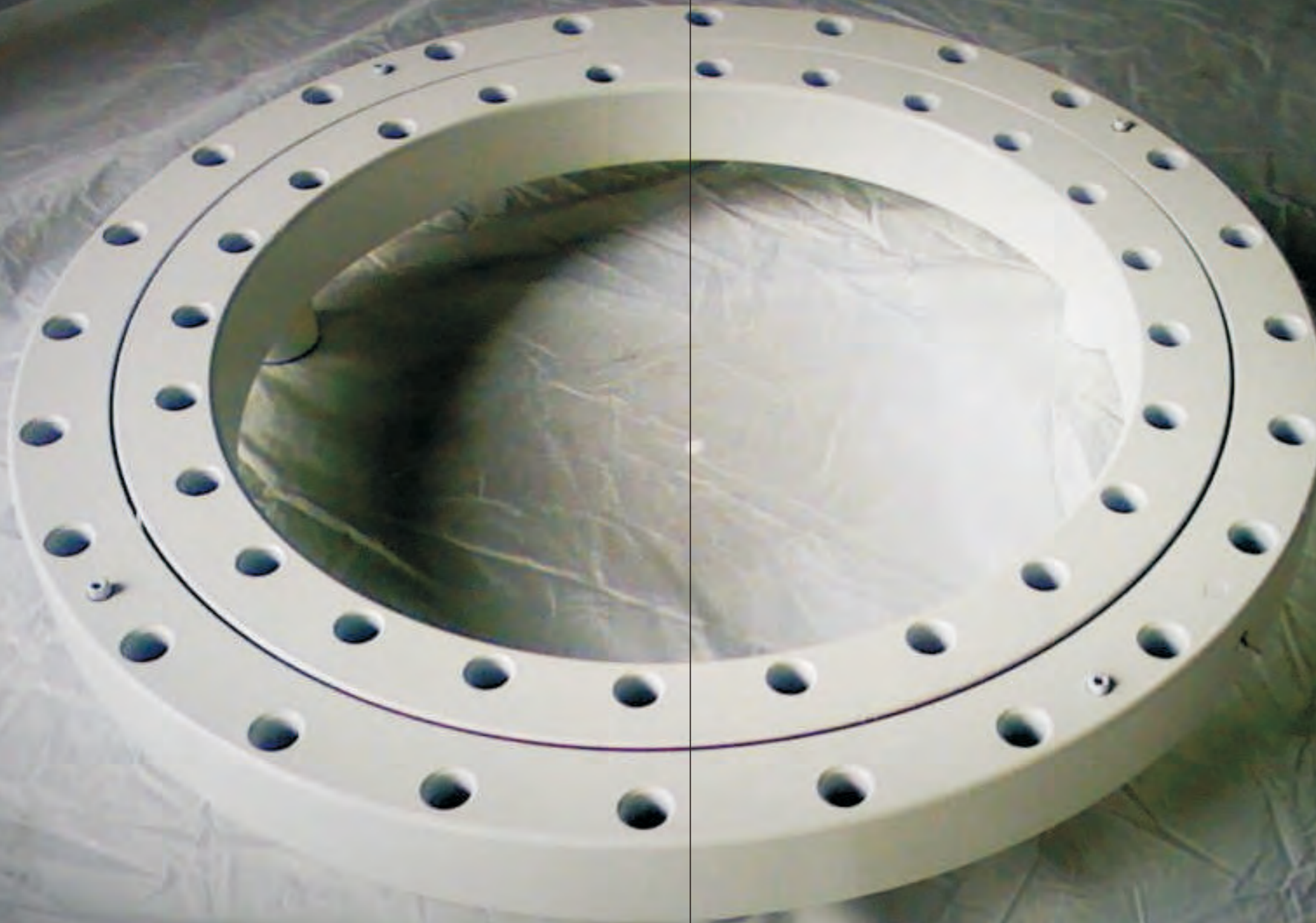




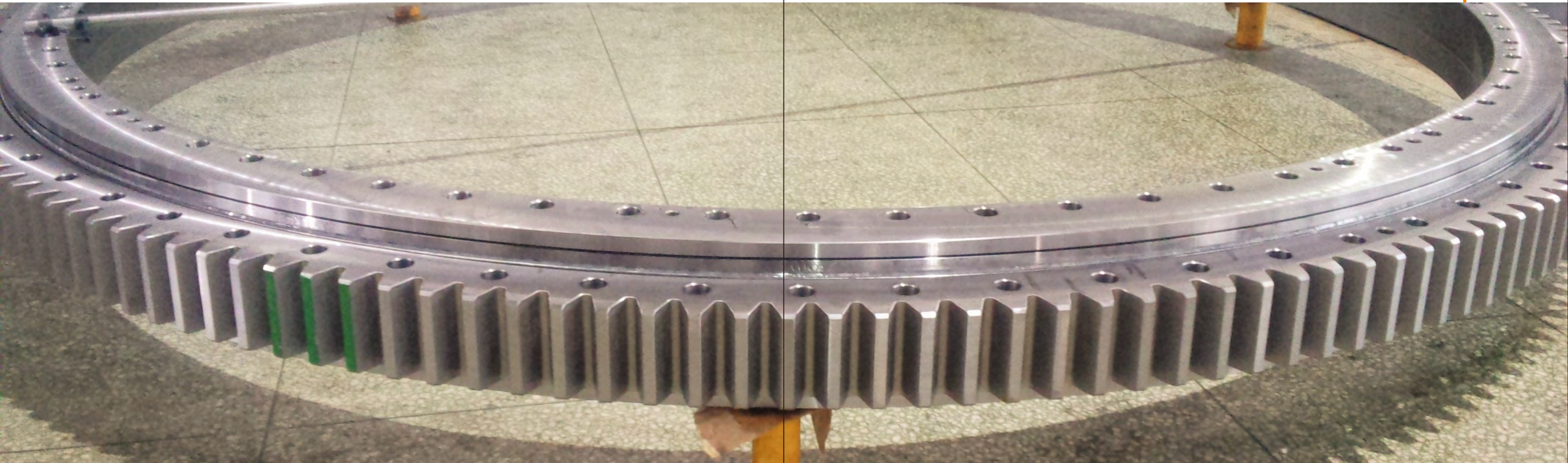
Crossed Roller Bearings
-High Rigidity & High Load Capacity
-Preload or with Clearance
-Sealed or Non-sealed
-Integral Steel Cage or Nylon Spacers



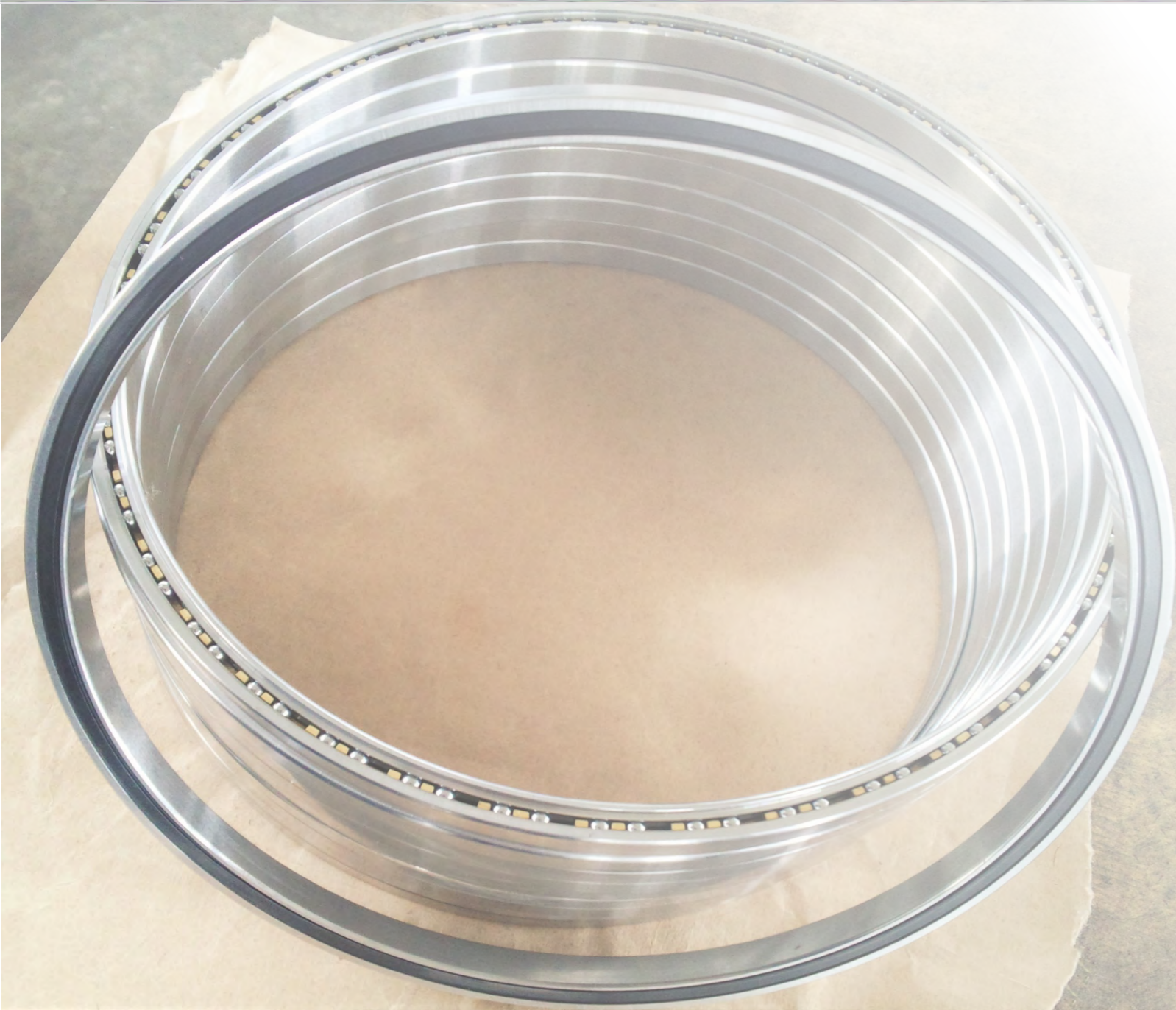
SocCare® Slew Rings



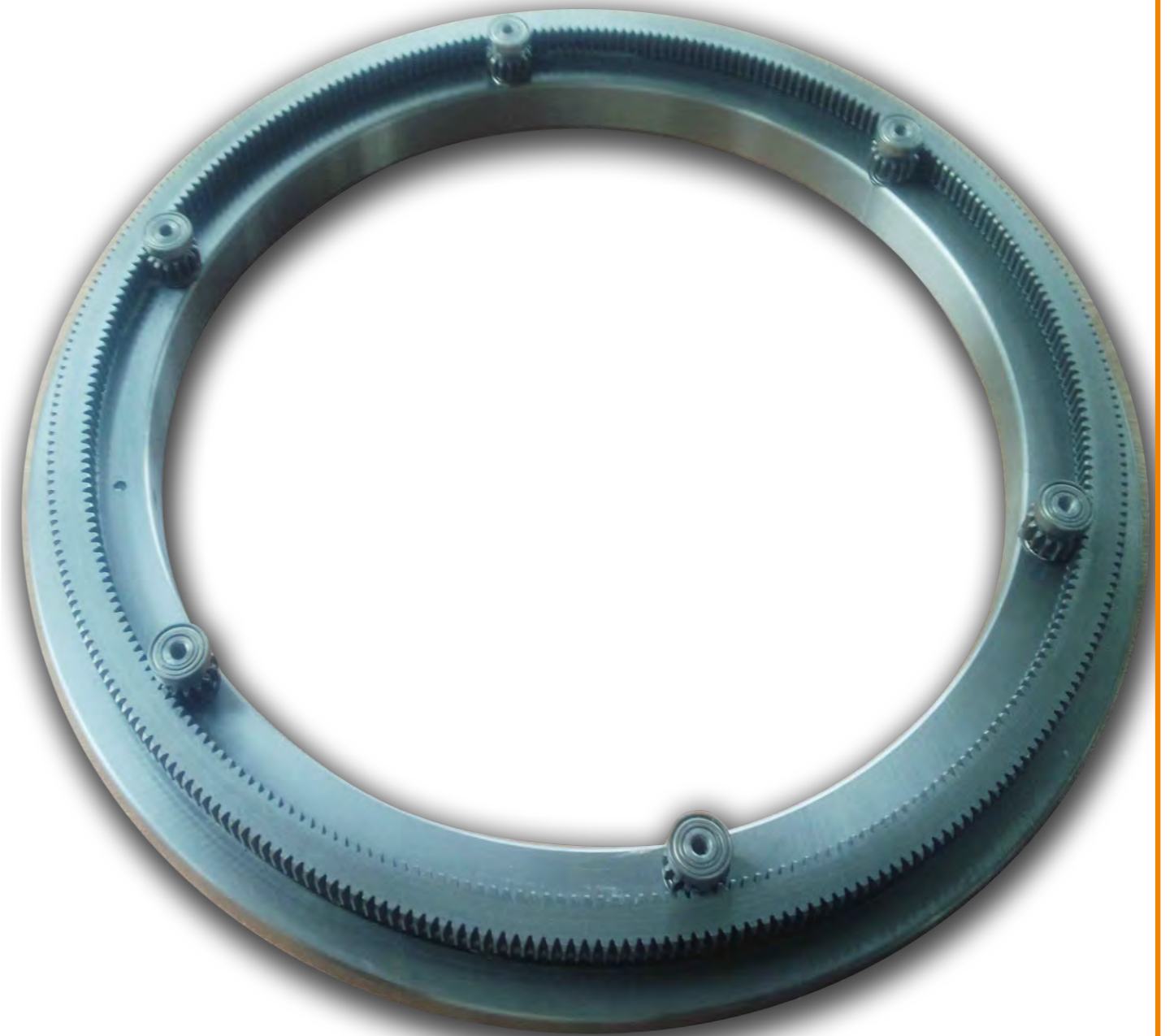
HMS™ Special Surface Anti-Corrossion Treatment



SoCare® Large OD Slew Ring for Heavy-duty Equipment



SoCare® Thin Bearing, Quality Creates Value.



SoCare® Special-purpose Bearing, Quality Creates Value.



WIN-WIN COOPERATION

7 DISTRIBUTION CENTERS ACROSS NORTH AMERICA

Los Angeles


Tel: 562-848-6203
Toll Free: 1-800-434-6203

Chicago

Tel: 630-458-8700
Toll Free: 1-866-625-6203

Dallas

Tel: 214-420-9115
Toll Free: 1-888-477-6203

 SoCare® International USA
2650 Bobmeyer Rd
Hamilton, OH 45015
Office 1-888-734-5690

Toronto

Tel: 905-624-9948
Toll Free: 1-877-275-6304

Montreal

Tel: 514-342-6202
Toll Free: 1-866-349-6304

Edmonton

Tel: 780-486-6210
Toll Free: 1-877-454-6203

Vancouver

Tel: 604-941-6203
Toll Free: 1-866-941-6203

www.amcanbearing.com

Email: ussales@amcanbearing.com sales@amcanbearing.com