

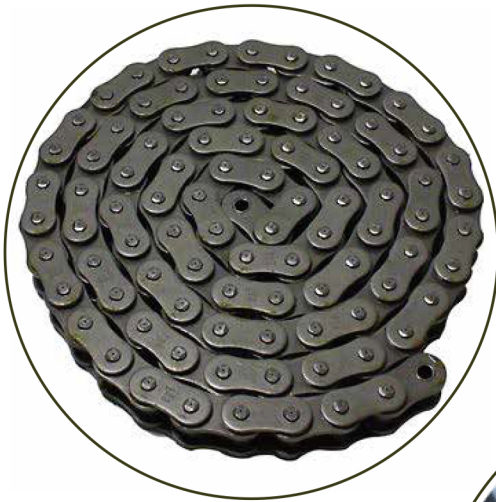


AMCAN

BEARING & BELTING



CHAINS



www.amcanbearing.com

Los Angeles

Chicago

Dallas

Toronto

Montréal

Edmonton

Vancouver

Los Angeles 1 - 800 - 434- 6203 Chicago 1 - 866 - 625 - 6203 Dallas 1 - 888- 477- 6203

Vancouver 1 - 866 - 941 - 6203 Edmonton 1 - 877 - 454 - 6304 Montreal 1 - 877- 349- 6304 Mississauga 1 - 877 -275 - 6304

Website: www.amcanbearing.com Email: info@amcanbearing.com



@amcanbearingofficial



@amcanofficial

Terms and Conditions

Becoming a customer

New customers are required to fill out a customer application as well as a credit application, Amcan Bearing Company does not sell to end users, new customers must be product resellers, or OEM's.

Placing orders

Orders may be placed via email at:

- US; ussales@amcanbearing.com
- CA; info@amcanbearing.com

Or by phone

- US (866) 625-6203
- CA (877)275-6304

Terms

Net 30 days, Payment must be postmarked 30 days from date of invoice. Accounts that are past due will be placed on credit hold, orders will not be shipped without approval.

Price Policy

All prices subject to change

Cancelled Orders

Orders cannot be cancelled or changed after they are entered in our system, without consent from Amcan management.

Backorders

Backorders will be shipped upon arrival of the chain unless previously cancelled or other instructions have been given.

Return Policy

No returns will be accepted on special chain orders. Returned merchandise must have prior authorization and documentation. We will not accept packages without the correct information. RMA's can be obtained by contacting Amcan Bearing Company via above mentioned email addresses or phone numbers. You will need the purchase order number and part number in order to obtain the documentation. Returns are accepted within one year of purchase.

All items are subject to a restocking fee unless:

- The product is defective; or
- We shipped you the incorrect chain.

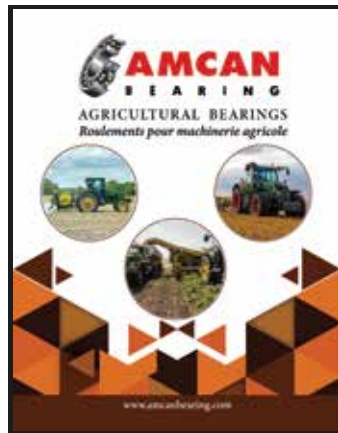
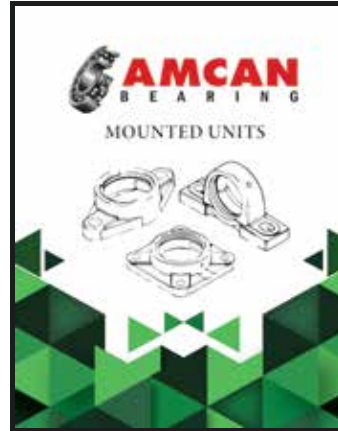
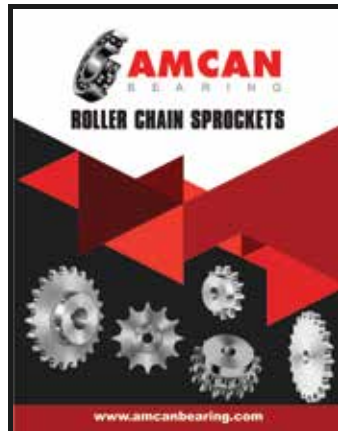
A credit will be applied to the customers account after the chains have been received and inspected to be sure they meet the following criteria:

- Customers are responsible for all outbound and incoming freight for returned chain, unless its being returned for a warranty claim.
- All returned chains must have the RMA# included.
- All returned chains must be new, sellable condition. We will not accept damaged, used or previously installed chain.
- All returned chain must be active selling products, we will not accept inactive products.

Any return that does not meet these requirements will be disposed of or sent back to the customer at their expense.

The material in this catalog is proprietary information of Amcan Bearing Company and cannot be reproduced or used without consent.

More Products



**Order from our
custom Made-to-Order line
NOW!**



This promotional banner has a red background. On the left, there is a call to action in bold white text. On the right, there is a collection of various AMCAN bearing products, including rollers, sprockets, and shafts, arranged on a white surface.

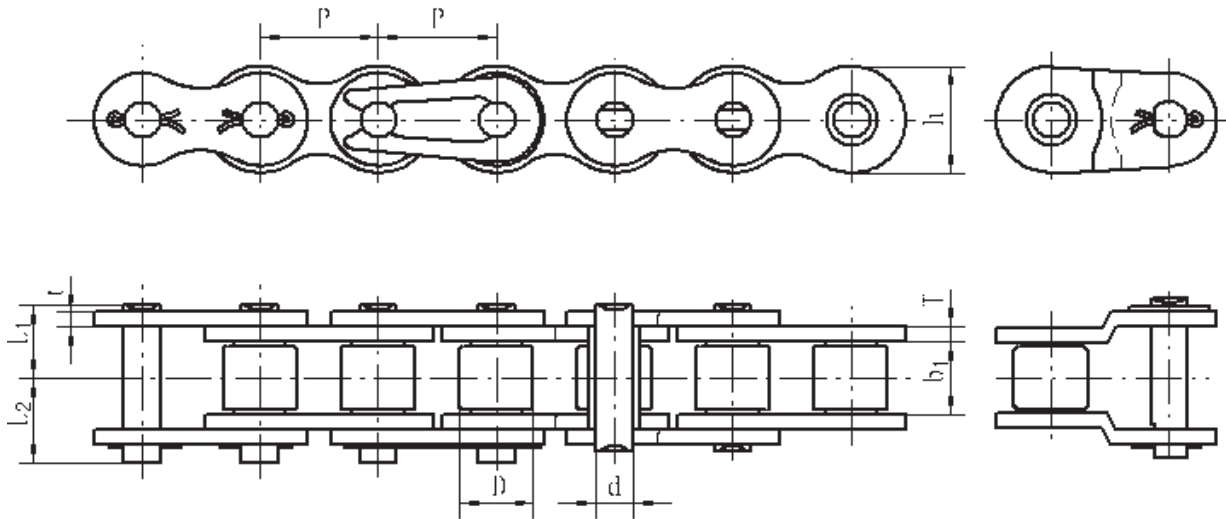
For more catalogues and product information, write to us at info@amcanbearing.com or call us.

Table Of Content

Page #1	-	Roller Chains
Page #4	-	Heavy Roller Chains
Page #5	-	British Standard Roller Chains
Page #8	-	Double Pitch Conveyor Chains
Page #11	-	Lumber Conveyor Chains
Page #13	-	Agricultural Roller Chains
Page #15	-	Welded Steel chains
Page #21	-	Stainless Steel Chain Roller Chain
Page #22	-	Stainless Steel Roller Chain
Page #23	-	Stainless Steel Double Pitch Conveyor Chains
Page #24	-	Stainless Steel Double Pitch Conveyor Chains Heavy Series
Page #25	-	Stainless Steel Double Pitch Conveyor Chains
Page #26	-	Chain Maintenance
Page #27	-	Trouble Shooting
Page #29	-	Information

Roller Chains

A Series Short Pitch Roller Chains



DIN/ISO Chain No.	ANSI Chain No.	P mm	b ₁ (min) mm	D (max) mm						Q _{min} kN	Q ₀ kN	q kg/m
					d mm	L ₁ mm	L ₂ mm	h mm	t/T mm			
*04C-1	*25-1	6.35	3.1	3.3	2.31	3.9	4.8	5.9	0.75	3.5	4.6	0.14
*06C-1	*35-1	9.525	4.68	5.08	3.58	6	7.2	9	1.27	7.9	10.6	0.35
08A-1	40-1	12.7	7.85	7.92	3.96	8.3	9.6	12	1.52	13.8	18	0.66
10A-1	50-1	15.875	9.4	10.16	5.08	10.25	11.85	15	2	21.8	31	1.05
12A-1	60-1	19.05	12.57	11.91	5.94	12.65	14.35	18	2.4	31.1	42	1.56
16A-1	80-1	25.4	15.75	15.88	7.92	16.2	17.9	23.5	3.2	55.6	70.2	2.67
20A-1	100-1	31.75	18.9	19.05	9.52	19.8	23.3	30	4	86.7	115	4.04
24A-1	120-1	38.1	25.22	22.23	11.1	25	28.3	35.8	4.9	124.6	170	5.94
28A-1	140-1	44.45	25.22	25.4	12.7	26.9	30.9	41.5	5.6	169	213	7.5
32A-1	160-1	50.8	31.55	28.58	14.27	32.05	35.75	48	6.4	222.4	290	10.2
36A-1	180-1	57.15	35.48	35.71	17.46	36.35	40.75	54	7.2	280.2	340	13.95
40A-1	200-1	63.5	37.85	39.68	19.84	39.55	43.85	59.6	8	347	480	16.86
48A-1	240-1	76.2	47.35	47.63	23.8	47.6	52.4	71.5	9.6	500.4	620	24.25

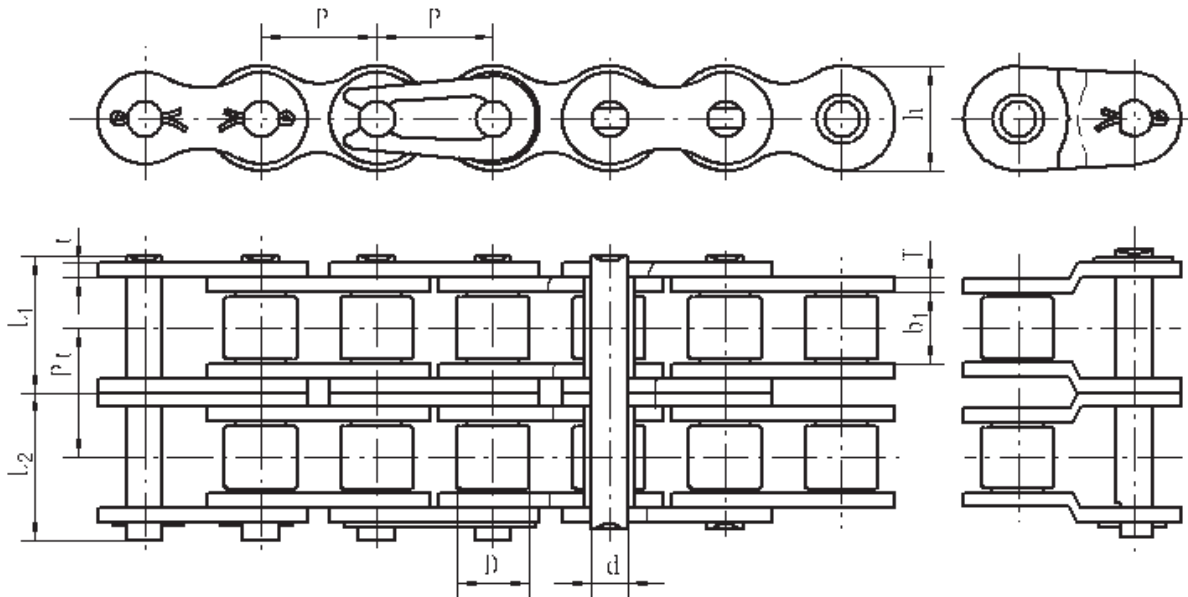
Q min Kn = Ultimate tensile strength

Q0 kN = Average tensile strength

* chains: Bushing chains with no roller;

Connecting Tpe: The series less than 16A (including 16A) is preferred for spring clip type;

The series larger than 20A (including 20A) is preferred for cottered type.



DIN/ISO Chain No.	ANSI Chain No.	P mm	b. (min) mm	D (max) mm	L mm		h mm	t/T mm	Pt mm	Q _{min} kN	Q ₀ kN	q kg/m	
					d mm	L mm							
*04C-2	*25-2	6.35	3.1	3.3	2.31	7.1	7.9	5.9	0.75	6.4	7	8.6	0.28
*06C-2	*35-2	9.525	4.68	5.08	3.58	11.1	12.3	9	1.27	10.13	15.8	20	0.69
08A-2	40-2	12.7	7.85	7.92	3.96	15.5	16.7	12	1.52	14.38	27.6	34.5	1.3
10A-2	50-2	15.875	9.4	10.16	5.08	19.3	20.7	15	2	18.11	43.6	59.5	2.08
12A-2	60-2	19.05	12.57	11.91	5.94	24.05	25.95	18	2.4	22.78	62.3	80.6	3.09
16A-2	80-2	25.4	15.75	15.88	7.92	30.75	33.15	23.5	3.2	29.29	111.2	134.8	5.29
20A-2	100-2	31.75	18.9	19.05	9.52	37.7	41.1	30	4	35.76	173.5	224.3	8.01
24A-2	120-2	38.1	25.22	22.23	11.1	47.75	51.05	35.8	4.9	45.44	249.1	326.4	11.84
28A-2	140-2	44.45	25.22	25.4	12.7	51.35	55.35	41.5	5.6	48.87	338.1	409	14.89
32A-2	160-2	50.8	31.55	28.58	14.27	61.35	65.05	48	6.4	58.55	444.8	556.8	20.26
36A-2	180-2	57.15	35.48	35.71	17.46	69.25	73.65	54	7.2	65.84	560.5	652.8	27.62
40A-2	200-2	63.5	37.85	39.68	19.84	75.35	79.65	59.6	8	71.55	693.9	921.6	33.64
48A-2	240-2	76.2	47.35	47.63	23.8	91.5	96.3	71.5	9.6	87.83	1000.8	1190.4	48.31

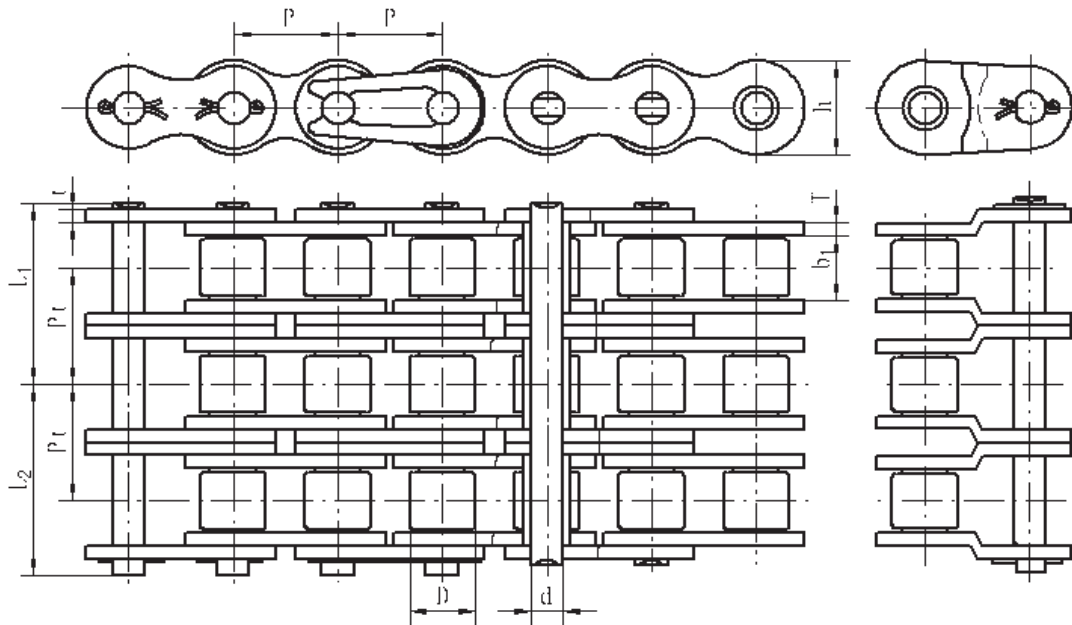
Q min Kn = Ultimate tensile strength

Q0 kN = Average tensile strength

* chains: Bushing chains with no roller;

Connecting Tpe: The series less than 16A (including 16A) is preferred for spring clip type;

The series larger than 20A (including 20A) is preferred for cottered type.



DIN/ISO Chain No.	ANSI Chain No.	P mm	b ₁ (min) mm	D (max) mm						Pt mm	Q _{min} kN	Q ₀ kN	q kg/m
					d mm	L ₁ mm	L ₂ mm	h mm	t/T mm				
*04C-3	*25-3	6.35	3.1	3.3	2.31	10.3	11.2	5.9	0.75	6.4	10.5	12.6	0.42
*06C-3	*35-3	9.525	4.68	5.08	3.58	16.25	17.45	9	1.27	10.13	23.7	30.2	1.03
08A-3	40-3	12.7	7.85	7.92	3.96	22.75	23.95	12	1.52	14.38	41.4	51.3	1.94
10A-3	50-3	15.875	9.4	10.16	5.08	28.25	29.55	15	2	18.11	65.4	88.4	3.11
12A-3	60-3	19.05	12.57	11.91	5.94	35.45	37.35	18	2.4	22.78	93.4	119.7	4.62
16A-3	80-3	25.4	15.75	15.88	7.92	45.46	47.44	23.5	3.2	29.29	166.8	200.1	7.90
20A-3	100-3	31.75	18.9	19.05	9.52	55.6	59.3	30	4	35.76	260.2	327.8	12.01
24A-3	120-3	38.1	25.22	22.23	11.1	70.45	74.05	35.8	4.9	45.44	373.7	484.5	17.68
28A-3	140-3	44.45	25.22	25.4	12.7	75.8	80.1	41.5	5.6	48.87	507.1	607.1	22.26
32A-3	160-3	50.8	31.55	28.58	14.27	90.6	94.4	48	6.4	58.55	667.2	826.5	30.33
36A-3	180-3	57.15	35.48	35.71	17.46	102.15	106.55	54	7.2	65.84	840.6	969	41.3
40A-3	200-3	63.5	37.85	39.68	19.84	111.1	115.4	59.6	8	71.55	1040.9	1368	50.35
48A-3	240-3	76.2	47.35	47.63	23.8	135.4	140.2	71.5	9.6	87.83	1501.3	1767	72.29

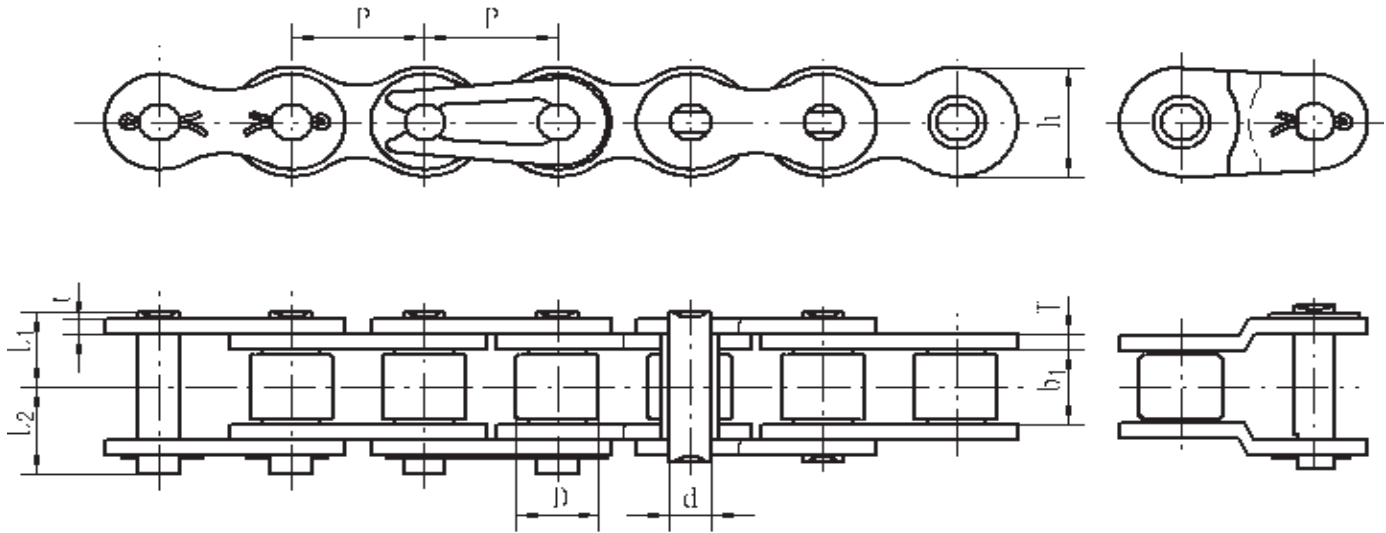
Q min Kn = Ultimate tensile strength

Q0 kN = Average tensile strength

* chains: Bushing chains with no roller;

Connecting Tpe: The series less than 16A (including 16A) is preferred for spring clip type;

The series larger than 20A (including 20A) is preferred for cottered type.



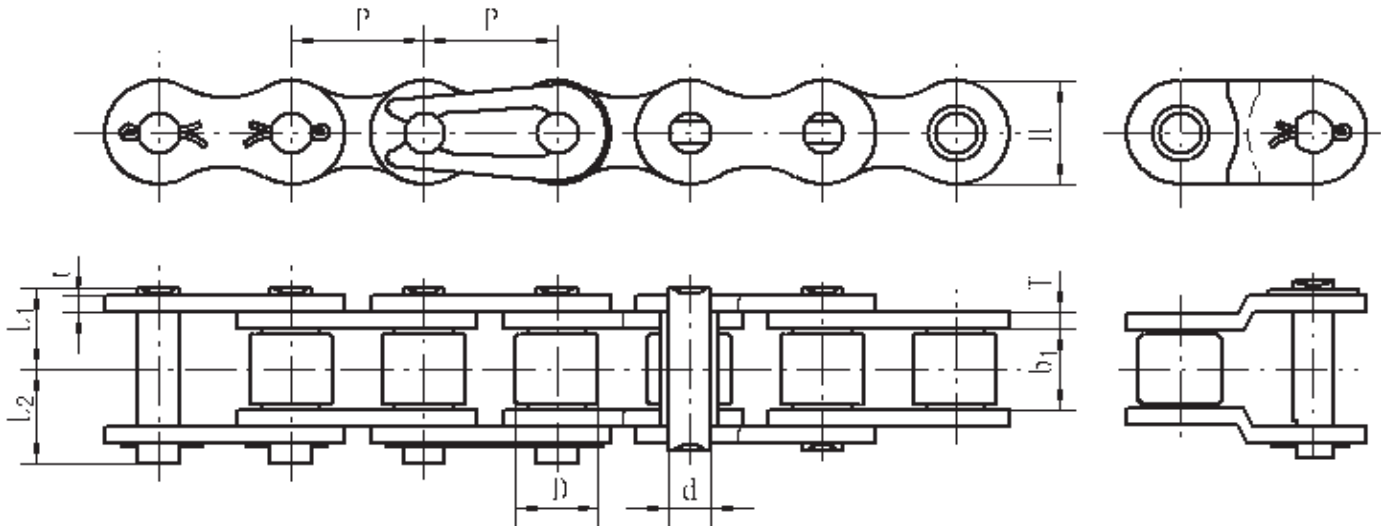
DIN/ISO Chain No.	ANSI Chain No.	P mm	b ₁ (min) mm	D (max) mm						Q _{min} kN	Q ₀ kN	q kg/m
					d mm	L ₁ mm	L ₂ mm	h mm	t/T mm			
08AH-1	40H-1	12.7	7.85	7.92	3.96	9.25	10.55	12	2	13.8	18	0.76
10AH-1	50H-1	15.875	9.4	10.16	5.08	11.05	12.45	15	2.4	21.8	31	1.21
12AH-1	60H-1	19.05	12.57	11.91	5.94	14.3	15.7	18	3.2	31.1	42	1.88
16AH-1	80H-1	25.4	15.75	15.88	7.92	17.85	19.25	23.5	4	55.6	70.2	3.09
20AH-1	100H-1	31.75	18.9	19.05	9.52	21.55	25.05	30	4.9	86.7	115	4.63
24AH-1	120H-1	38.1	25.22	22.23	11.1	26.5	29.9	35.8	5.6	124.6	170	6.50
28AH-1	140H-1	44.45	25.22	25.4	12.7	28.55	32.65	41.5	6.4	169	213	8.31
32AH-1	160H-1	50.8	31.55	28.58	14.27	33.75	37.65	48	7.2	222.4	290	11.08
36AH-1	180H-1	57.15	35.48	35.71	17.46	37.95	42.35	54	8	280.2	340	14.90
40AH-1	200H-1	63.5	37.85	39.68	19.84	42.9	47.2	59.6	9.6	347	480	18.99
48AH-1	240H-1	76.2	47.35	47.63	23.8	54.1	58.9	71.5	12.7	500.4	620	29.31

Q min Kn = Ultimate tensile strength

Q0 kN = Average tensile strength

Connecting Tpe: The series less than 16AH (including 16AH) is preferred for spring clip type;

The series larger than 20AH (including 20AH) is preferred for cottered type.



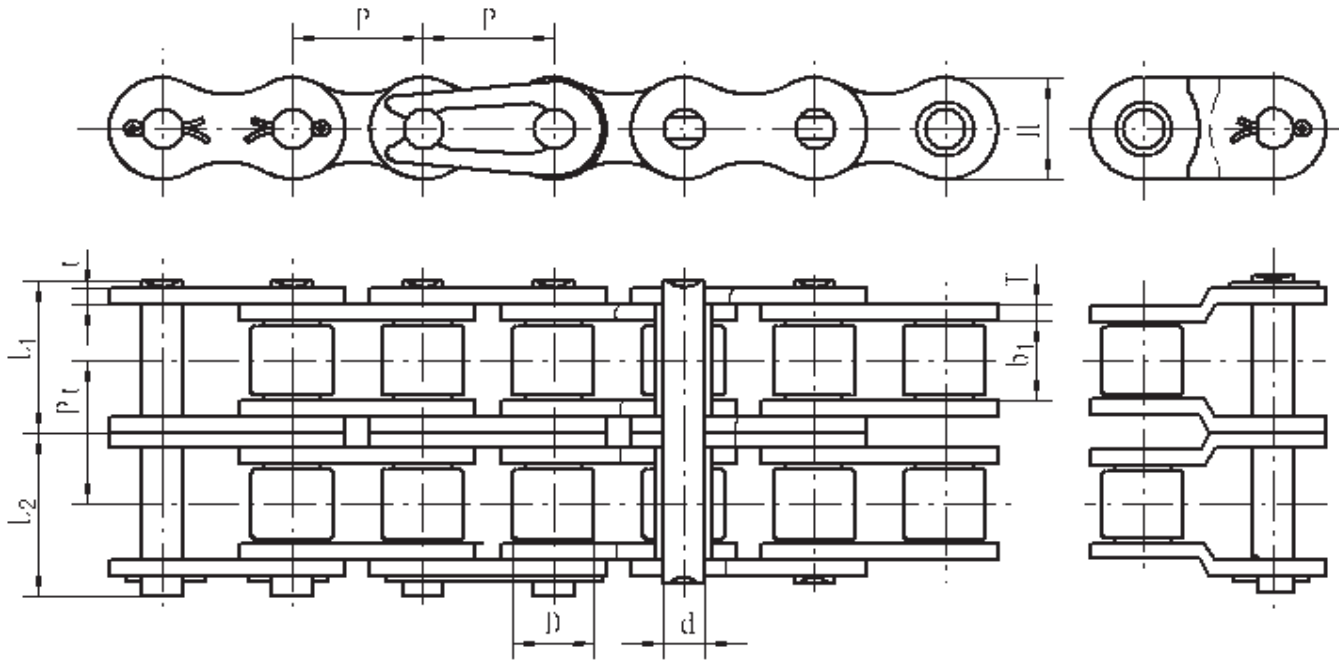
DIN/ISO Chain No.	P mm	b. (min) mm	D (max) mm						Q min kN	Q kN	q kg/m
				d mm	L ₁ mm	L ₂ mm	h mm	t/T mm			
05B-1	8	3	5	2.31	3.9	4.8	7	0.75	4.4	5.9	0.19
06B-1	9.525	5.72	6.35	3.28	6.27	7.23	8.2	1.0/1.27	8.9	10.5	0.39
08B-1	12.7	7.75	8.51	4.45	8.5	9.9	11.8	1.65	17.8	20.5	0.75
10B-1	15.875	9.65	10.16	5.08	9.6	10.9	14.6	1.65	22.2	27.5	0.95
12B-1	19.05	11.68	12.07	5.72	11	12.4	16	1.8	28.9	32.5	1.22
16B-1	25.4	17.02	15.88	8.28	17.65	19.05	20.9	3.2/4	60	71	2.8
20B-1	31.75	19.56	19.05	10.19	20.2	23.8	26	3.6/4.5	95	107	3.9
24B-1	38.1	25.4	25.4	14.63	26.65	31.05	33	5/6	160	178	7.13
28B-1	44.45	30.99	27.94	15.9	32.55	36.45	36.7	6.2/7.5	200	225	9.36
32B-1	50.8	30.99	29.21	17.81	32.8	37.2	41.9	6.2/7	250	278	9.94

Q min Kn = Ultimate tensile strength

Q0 kN = Average tensile strength

Connecting Tpe: The series less than 16B (including 16B) is preferred for spring clip type;

The series larger than 20B (including 20B) is preferred for cottered type.



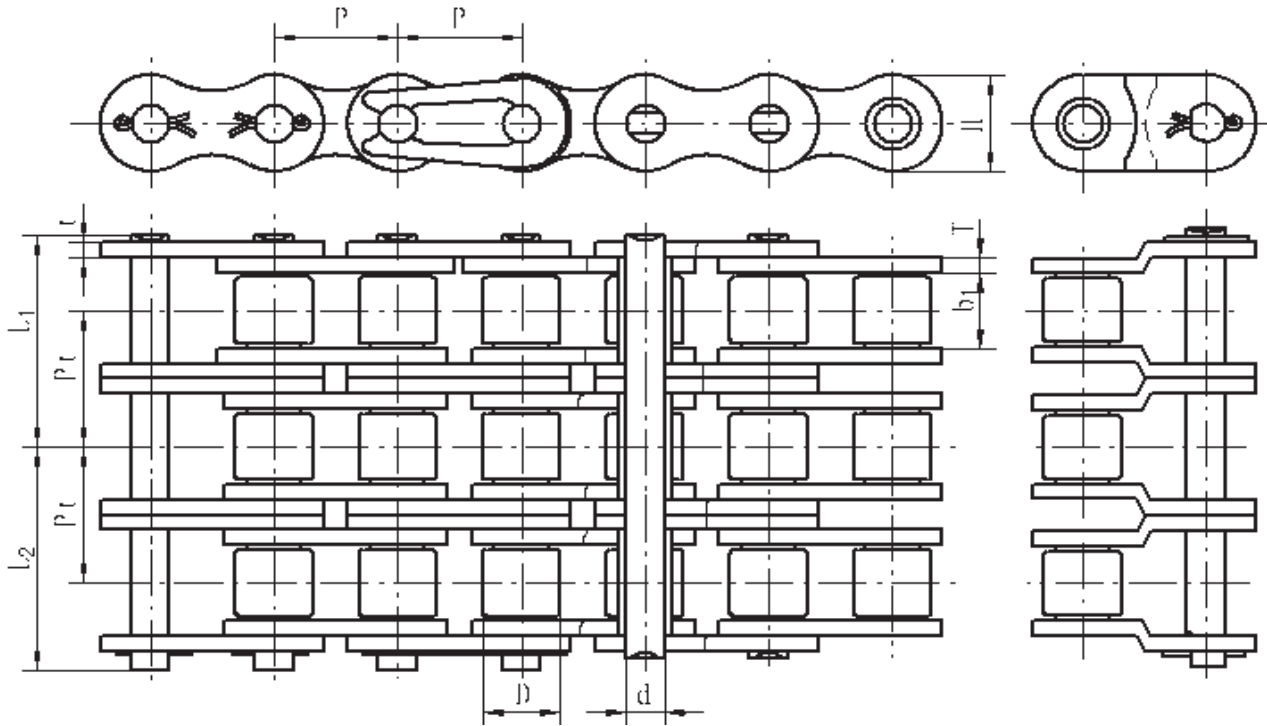
DIN/ISO Chain No.	Pitch P mm	b_1 (min) mm	D (max) mm						Pt mm	Q_{min} kN	Q_0 kN	q kg/m
				d mm	L_1 mm	L_2 mm	h mm	t/T mm				
05B-2	8	3	5	2.31	6.75	7.59	7	0.75	5.64	7.8	10.2	0.38
06B-2	9.525	5.72	6.35	3.28	11.4	12.4	8.2	1.0/1.27	10.24	16.9	18.9	0.74
08B-2	12.7	7.75	8.51	4.45	15.5	16.9	11.8	1.65	13.92	31.1	37	1.47
10B-2	15.875	9.65	10.16	5.08	17.9	19.3	14.6	1.65	16.59	44.5	53.8	1.88
12B-2	19.05	11.68	12.07	5.72	20.75	22.15	16	1.8	19.46	57.8	65.3	2.42
16B-2	25.4	17.02	15.88	8.28	33.6	35	20.9	3.2/4	31.88	106	128.3	5.54
20B-2	31.75	19.56	19.05	10.19	38.45	42.05	26	3.6/4.5	36.45	170	210	7.71
24B-2	38.1	25.4	25.4	14.63	50.85	55.25	33	5/6	48.36	280	313.6	14.09
28B-2	44.45	30.99	27.94	15.9	62.35	66.15	36.7	6.2/7.5	59.56	360	403.2	18.49
32B-2	50.8	30.99	29.21	17.81	62.05	66.45	41.9	6.2/7	58.55	450	504	19.59

Q_{min} Kn = Ultimate tensile strength

Q_0 kN = Average tensile strength

Connecting Tpe: The series less than 16B (including 16B) is preferred for spring clip type;

The series larger than 20B (including 20B) is preferred for cottered type.



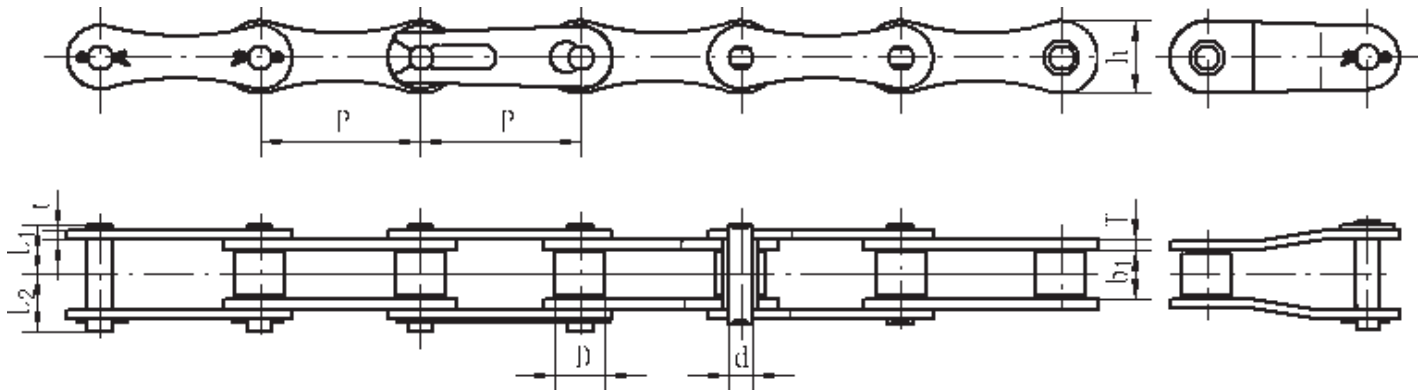
DIN/ISO Chain No.	P mm	b ₁ (min) mm	D (max) mm						Pt mm	Q _{min} kN	Q ₀ kN	q kg/m
				d mm	L ₁ mm	L ₂ mm	h mm	t/T mm				
05B-3	8	3	5	2.31	9.55	10.45	7	0.75	5.64	11.1	13.8	0.56
06B-3	9.525	5.72	6.35	3.28	16.5	17.5	8.2	1.0/1.27	10.24	24.9	30.1	1.1
08B-3	12.7	7.75	8.51	4.45	22.45	23.85	11.8	1.65	13.92	46.65	56	2.18
10B-3	15.875	9.65	10.16	5.08	26.2	27.6	14.6	1.65	16.59	66.7	83.4	2.82
12B-3	19.05	11.68	12.07	5.72	30.5	31.9	16	1.8	19.46	86.7	99.7	3.41
16B-3	25.4	17.02	15.88	8.28	49.55	50.95	20.9	3.2/4	31.88	160	200	8.28
20B-3	31.75	19.56	19.05	10.19	56.65	60.25	26	3.6/4.5	36.45	250	287.5	11.53
24B-3	38.1	25.4	25.4	14.63	75.05	79.45	33	5/6	48.36	425	488.8	20.79
28B-3	44.45	30.99	27.94	15.9	92.15	96.05	36.7	6.2/7.5	59.56	520	592.8	27.78
32B-3	50.8	30.99	29.21	17.81	91.35	95.75	41.9	6.2/7	58.55	507	578.1	29.25

Q min Kn = Ultimate tensile strength

Q0 kN = Average tensile strength

Connecting Tpe: The series less than 16B (including 16B) is preferred for spring clip type;

The series larger than 20B (including 20B) is preferred for cottered type.



DIN/ISO Chain No.	ANSI Chain No.	P mm	b ₁ (min) mm	D (max) mm						Q _{min} kN	Q ₀ kN	q kg/m
					d mm	L ₁ mm	L ₂ mm	h mm	t/T mm			
208A	2040	25.4	7.85	7.92	3.96	8.3	9.6	12	1.52	13.8	18	0.43
208B	/	25.4	7.75	8.51	4.45	8.5	9.9	11.8	1.65	17.8	20.5	0.49
210A	2050	31.75	9.4	10.16	5.08	10.25	11.85	15	2	21.8	31	0.70
210B	/	31.75	9.65	10.16	5.08	9.6	10.9	14.6	1.65	22.2	27.5	0.63
212A	2060	38.1	12.57	11.91	5.94	12.65	14.35	18	2.4	31.1	42	1.02
212B	/	38.1	11.68	12.07	5.72	11	12.4	16	1.8	28.9	32.5	0.78
216A	2080	50.8	15.75	15.88	7.92	16.2	17.9	23.5	3.2	55.6	70.2	1.76
220A	2100	63.5	18.9	19.05	9.52	19.8	23.3	30	4	86.7	115	2.55
224A	2120	76.2	25.22	22.23	11.1	25	28.3	35.8	4.9	124.6	170	4.06

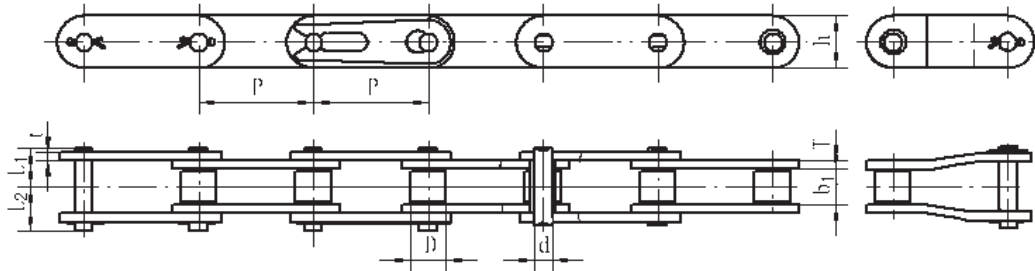
Q min Kn = Ultimate tensile strength

Q0 kN = Average tensile strength

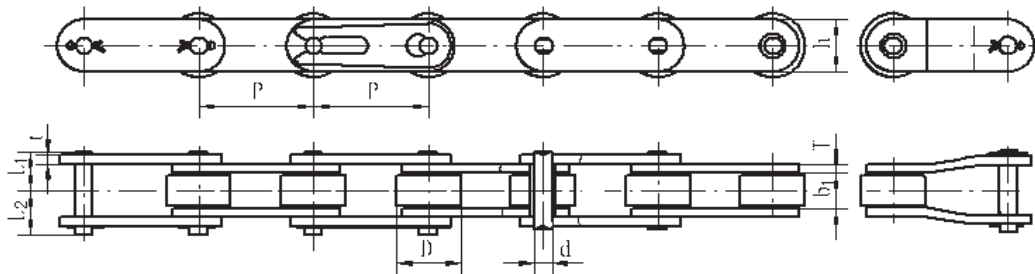
Connecting Tpe: The series less than 16B (including 16B) is preferred for spring clip type;

The series larger than 20B (including 20B) is preferred for cottered type.

Standard Roller Type



Oversize Roller Type



DIN/ISO Chain No.	ANSI Chain No.	Pitch P mm	b ₁ (min) mm	D (max) mm						Q _{min} kN	Q ₀ kN	q kg/m
					d mm	L ₁ mm	L ₂ mm	h mm	t/T mm			
C208AH	C2040H	25.4	7.85	7.92	3.96	9.25	10.55	12	2	13.8	18	0.64
C208AHL	C2042H	25.4	7.85	15.88	3.96	9.25	10.55	12	2	13.8	18	0.98
C210AH	C2050H	31.75	9.4	10.16	5.08	11.05	12.45	15	2.4	21.8	31	0.96
C210AHL	C2052H	31.75	9.4	19.05	5.08	11.05	12.45	15	2.4	21.8	31	1.41
C212AH	C2060H	38.1	12.57	11.91	5.94	14.3	15.7	18	3.2	31.1	42	1.52
C212AHL	C2062H	38.1	12.57	22.23	5.94	14.3	15.7	18	3.2	31.1	42	2.22
C216AH	C2080H	50.8	15.75	15.88	7.92	17.85	19.25	23.5	4	55.6	70.2	2.53
C216AHL	C2082H	50.8	15.75	28.58	7.92	17.85	19.25	23.5	4	55.6	70.2	3.58
C220AH	C2100H	63.5	18.9	19.05	9.52	21.55	25.05	30	4.9	86.7	115	3.82
C220AHL	C2102H	63.5	18.9	39.67	9.52	21.55	25.05	30	4.9	86.7	115	5.96
C224AH	C2120H	76.2	25.22	22.23	11.1	26.5	29.9	35.8	5.6	124.6	170	5.40
C224AHL	C2122H	76.2	25.22	44.45	11.1	26.5	29.9	35.8	5.6	124.6	170	8.33
C232AH	C2160H	101.6	31.55	28.56	14.27	33.75	37.65	48	7.2	222.4	290	9.08
C232AHL	C2162H	101.6	31.55	57.15	14.27	33.75	37.65	48	7.2	222.4	290	13.69

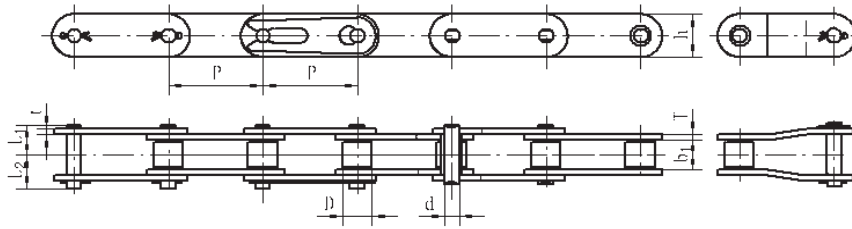
Q min Kn = Ultimate tensile strength

Q0 kN = Average tensile strength

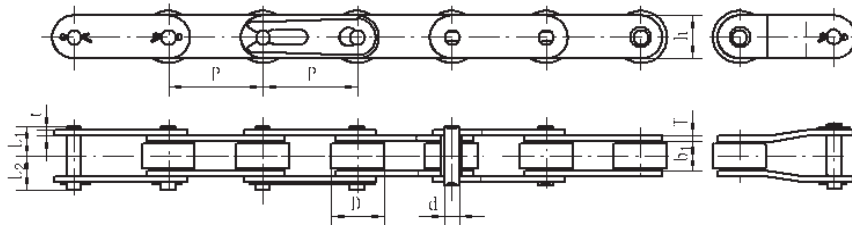
Connecting Tpe: The series less than 2060 (including 2060) is preferred for spring clip type;

The series larger than 2080 (including 2080) is preferred for cottered type.

Standard Roller Type



Oversize Roller Type

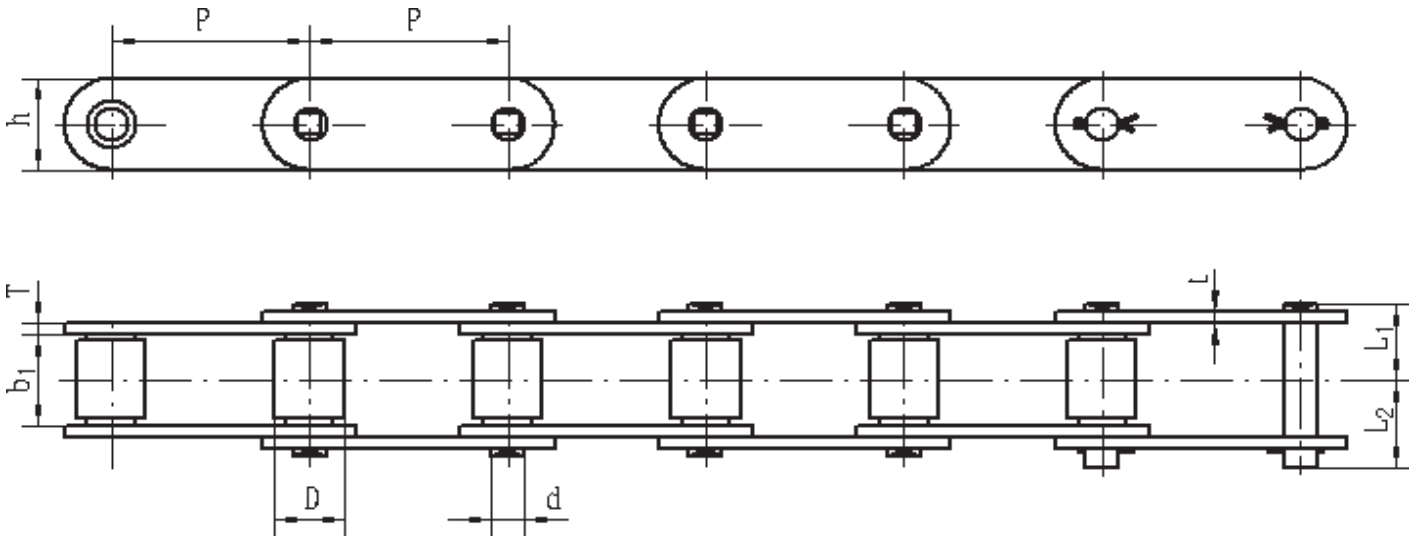


DIN/ISO Chain No.	ANSI Chain No.	P mm	b ₁ (min) mm	D (max) mm						Q _{min} kN	Q ₀ kN	q kg/m
					d mm	L ₁ mm	L ₂ mm	h mm	t/T mm			
C208A	C2040	25.4	7.85	7.92	3.96	8.3	9.6	12	1.52	13.8	18	0.52
C208AL	C2042	25.4	7.85	15.88	3.96	8.3	9.6	12	1.52	13.8	18	0.88
C208B	/	25.4	7.75	8.51	4.45	8.5	9.9	11.8	1.65	17.8	20.5	0.57
C208BL	/	25.4	7.75	15.88	4.45	8.5	9.9	11.8	1.65	17.8	20.5	0.90
C210A	C2050	31.75	9.4	10.16	5.08	10.25	11.85	15	2	21.8	31	0.84
C210AL	C2052	31.75	9.4	19.05	5.08	10.25	11.85	15	2	21.8	31	1.31
C212A	C2060	38.1	12.57	11.91	5.94	12.65	14.35	18	2.4	31.1	42	1.23
C212AL	C2062	38.1	12.57	22.23	5.94	12.65	14.35	18	2.4	31.1	42	1.93
C216A	C2080	50.8	15.75	15.88	7.92	16.2	17.9	23.5	3.2	55.6	70.2	2.13
C216AL	C2082	50.8	15.75	28.58	7.92	16.2	17.9	23.5	3.2	55.6	70.2	3.14
C220A	C2100	63.5	18.9	19.05	9.52	19.8	23.3	30	4	86.7	115	3.26
C220AL	C2102	63.5	18.9	39.67	9.52	19.8	23.3	30	4	86.7	115	5.40
C224A	C2120	76.2	25.22	22.23	11.1	25	28.3	35.8	4.9	124.6	170	4.78
C224AL	C2122	76.2	25.22	44.45	11.1	25	28.3	35.8	4.9	124.6	170	7.78
C232A	C2160	101.6	31.55	28.58	14.27	32.05	35.75	48	6.4	222.4	290	8.25
C232AL	C2162	101.6	31.55	57.15	14.27	32.05	35.75	48	6.4	222.4	290	12.85

Q min Kn = Ultimate tensile strength

Q0 kN = Average tensile strength

Connecting Type: The series less than C2060 (including C2060) is preferred for spring clip type;
The series larger than C2080 (including C2080) is preferred for cottered type.



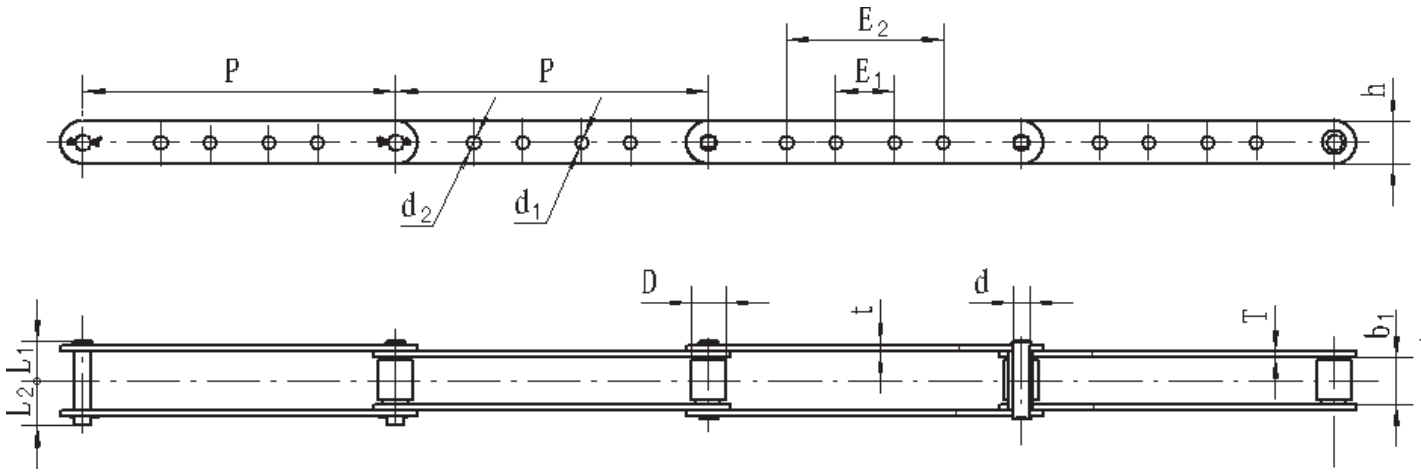
Chain No.	P mm	b ₁ (min) mm	D(max) mm						Qmin kN	Q ₀ kN	q kg/m
				d mm	L ₁ mm	L ₂ mm	h mm	t/T mm			
81X	66.27	26.99	23.02	11.1	24.5	27.8	28.6	4	106.7	128	3.8
81XH	66.27	26.99	23.02	11.1	29.6	32.7	31.4	5.6/7.5	152	175	5.83
81XHH	66.27	26.99	23.02	11.1	31.5	34.8	31.4	7.5	186.7	205	6.47
81XA	66.27	38	23.02	11.1	30.4	33.6	28.6	4	132	145	4.30
81-XH	66.27	26.99	23.02	11.1	30.1	33.2	32.1	5.6/8	152	175	6.11
81-XHH	66.27	27.84	23.02	11.1	32.9	36.2	32.1	8	186.7	205	6.97
81X-KC	66.27	26.99	23.02	11.1	25.13	28.43	28.6	4	98	147	3.82
81XXH	66.27	26.99	23.02	11.1	31.5	34.8	31.4	7.5	152	175	6.47
*81XH-SAS	66.27	26.99	23.02	11.1	29.6	32.7	31.4	5.6/7.5	105	115	5.54
**81XSS	66.27	26.99	23.02	11.1	24.5	27.8	28.6	4	43	47	3.76
**81XHSS	66.27	26.99	23.02	11.1	29.6	32.7	31.4	5.6/7.5	105	115	5.74

Q min Kn = Ultimate tensile strength

Q₀ kN = Average tensile strength

*Chains: The material of plates is stainless steel

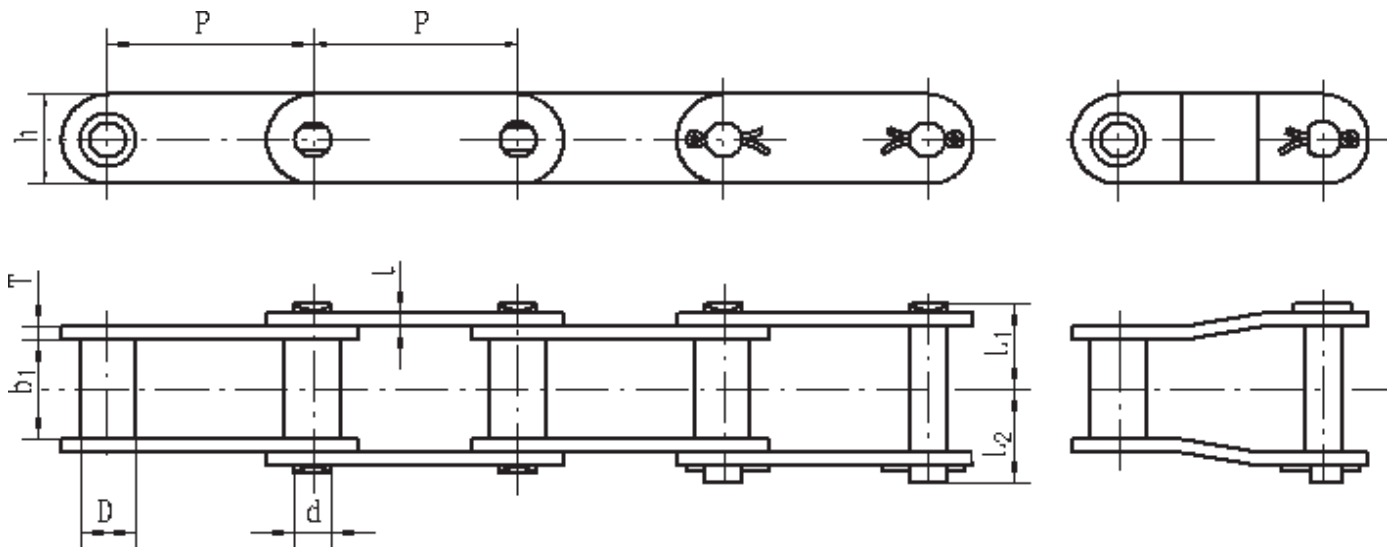
**Chains: The material of all component parts is stainless steel



Chain No.	P mm	b_1 (min) mm	D(max) mm										Qmin kN	Q ₀ kN	q kg/m
				d mm	L ₁ mm	L ₂ mm	h mm	d ₁ mm	d ₂ mm	E ₁ mm	E ₂ mm	t/T mm			
3939	203.2	26.99	23.02	11.1	24.5	27.8	28.6	6.35	/	38.1	/	4	122.25	134	2.41
D3939-B21	203.2	26.99	23.02	11.1	24.5	27.8	28.6	7.14	/	38.1	/	4	122.25	134	2.41
D3939-B4	203.2	26.99	23.02	11.1	24.5	27.8	28.6	7.14	7.14	38.1	101.6	4	122.25	134	2.38
D3939-B43	203.2	26.99	23.02	11.1	24.5	27.8	28.6	7.14	10.3	38.1	92.1	4	122.25	134	2.35
D3939S-B4	203.2	26.99	22.23	11.1	29.3	32.6	28.6	7.14	7.14	38.1	101.6	6.4	152.00	167	3.53
S3939H-B4	203.2	26.99	23.02	11.1	29.6	32.7	28.6	7.14	7.14	38.1	101.6	5.6/ 7.5	152.00	167	3.61
S3939H-B43	203.2	26.99	23.02	11.1	29.6	32.7	28.6	7.14	10.3	38.1	92.1	5.6/ 7.5	152.00	167	3.57
81X8P-ELA	203.2	26.99	23.02	11.1	24.5	27.8	28.6	/	10.3	/	101.6	4	122.25	134	2.40

Q min Kn = Ultimate tensile strength

Q₀ kN = Average tensile strength

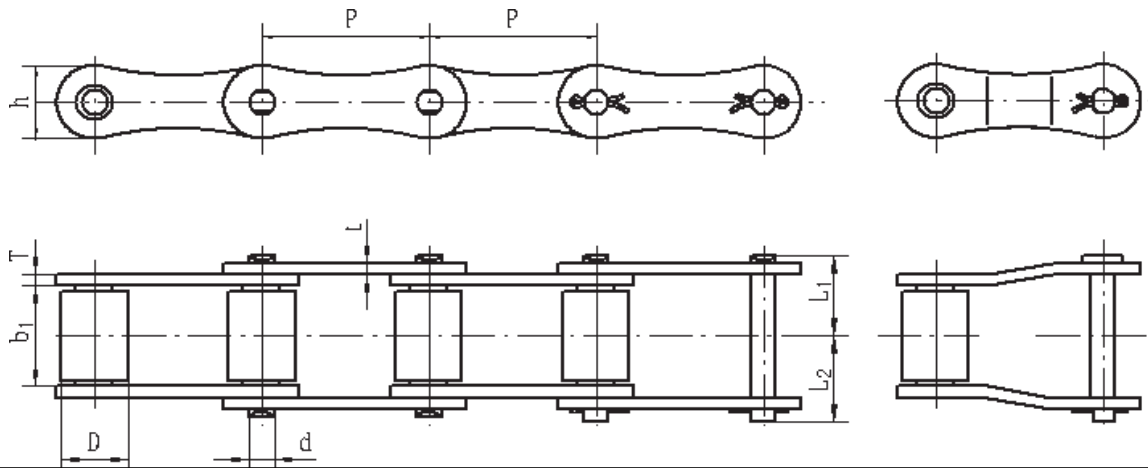


Chain No.	P mm	b ₁ (min) mm	D(max) mm						Q(min) kN	Q ₀ kN
				d mm	L ₁ mm	L ₂ mm	h mm	t/T mm		
*CA550	41.4	20.1	16.7	7.16	17.25	20.05	19.05	2.62	39.1	48.5
CA550/45	41.4	20.1	15.24	7.16	17.25	20.05	19.05	2.62	39.1	48.5
CA550/55	41.4	20.1	17.78	7.16	17.25	20.05	19.05	2.62	39.1	48.5
CA550/S55	41.4	21.9	17.78	7.16	18.15	20.95	19.05	2.62	39.1	48.5
CA550H	41.4	20.1	16.7	7.16	18.15	20.95	19.05	3	45	54.5
CA550V	41.4	19.05	16.7	8.28	17.65	20.65	20	3	50	58
CA557	41.4	20.1	17.8	7.92	18.55	21.15	23.1	3.2	55.6	70
CA645Z	41.4	22.2	17.78	8.28	21.2	23.9	21.2	4	52.9	73.5
CA624	38.4	19.05	15.88	8.28	17.65	20.65	20.5	3	52.9	60
*CA620	42.01	24.51	17.91	7.16	20.75	23.45	19.05	3.2	39.1	55

Q min Kn = Ultimate tensile strength

Q₀ kN = Average tensile strength

*Chains: There are two kinds of materials for their component parts, which are carbon steel and stainless steel.

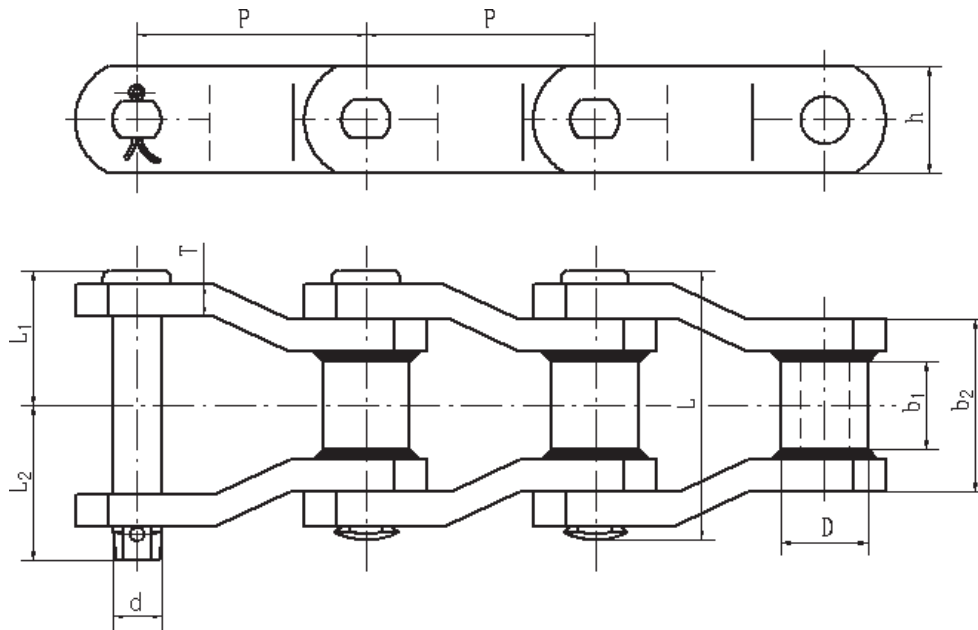


Chain No.	P mm	b ₁ (min) mm	D(max) mm						Q(min) kN	Q ₀ kN	q kg/m
				d mm	L ₁ mm	L ₂ mm	h mm	t/T mm			
*S32	29.21	16.25	11.43	4.45	13.35	15.65	13.4	1.8	8	21	0.92
S42	34.93	19.76	14.27	7.01	17.1	20	19.7	2.62	26.7	48	1.84
S45	41.40	22.95	15.24	5.74	18.45	20.45	17.2	2.62	17.8	35	1.59
S51	38.1	16	15.24	5.74	15	17	17.2	2.62	17.8	35	1.42
S52	38.1	22.95	15.24	5.74	18.45	20.45	17.2	2.62	17.8	35	1.78
S52LV	38.1	18.2	15.2	6.92	16.7	19.5	16.3	2.62/3	30	40	1.52
*S55	41.4	22.95	17.78	5.74	18.45	20.45	17.2	2.62	17.8	35	1.87
*S62	41.91	26.1	19.05	5.74	20	22.1	17.2	2.62	26.7	35	2.17
S77	58.34	22.7	18.26	8.92	21.65	25.15	25.8	4	44.5	72	2.69
*S88	66.27	28.58	22.86	8.92	24.85	28.35	26	4	44.5	72	3.22
S88-N ₁	66.27	28.58	30	8.92	24.85	28.35	26	4	44.5	72	4.22
S413	41.3	21.4	16	8.28	19.55	22.85	20	3.2	42	58	2.04
S414	41.4	22.23	17.9	8.28	19.55	22.85	20	3.2	42	58	2.24
S ⁴¹⁴ -N ₁	41.4	22.23	17.78	8.28	19.55	23.65	20	3.2	45.4	58	2.22
S41.91	41.91	19.4	17	7.92	18.7	21.3	24.5	3.2	67	70	2.34
A550	41.4	20.1	16.70	7.16	17.25	20.05	19.05	2.62	39.1	48.5	1.78
A557	41.4	20.1	17.78	7.92	18.55	21.15	23.1	3.2	55.6	70	2.46
A620	42.01	24.51	17.91	7.16	20.75	23.45	19.05	3.2	39.1	55	2.29

Q min Kn = Ultimate tensile strength

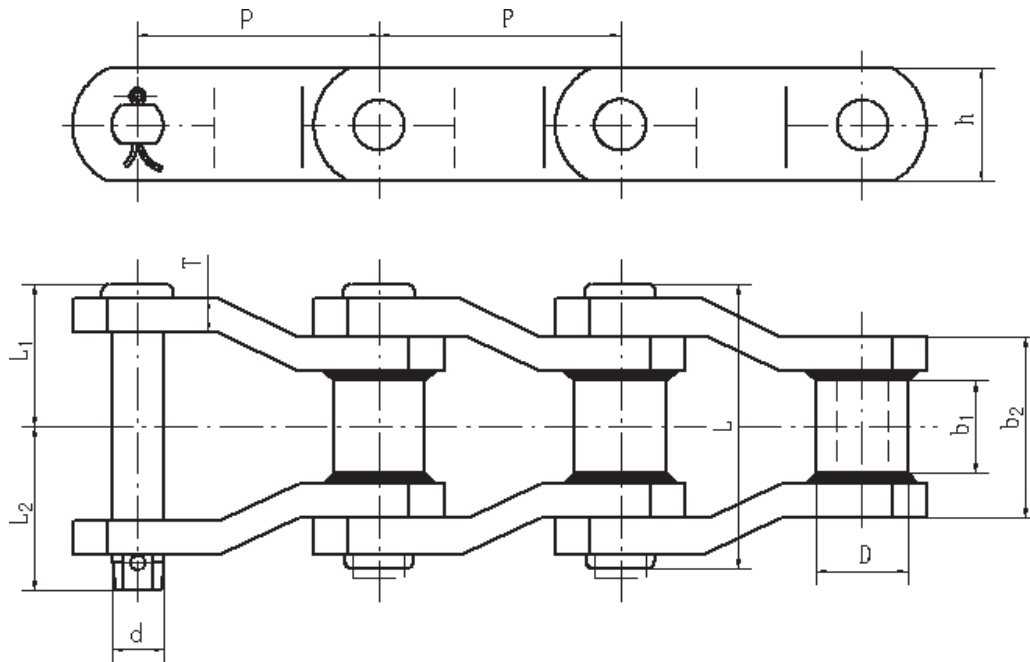
Q₀ kN = Average tensile strength

*Chains: There are two kinds of materials for their component parts, which are carbon steel and stainless steel.



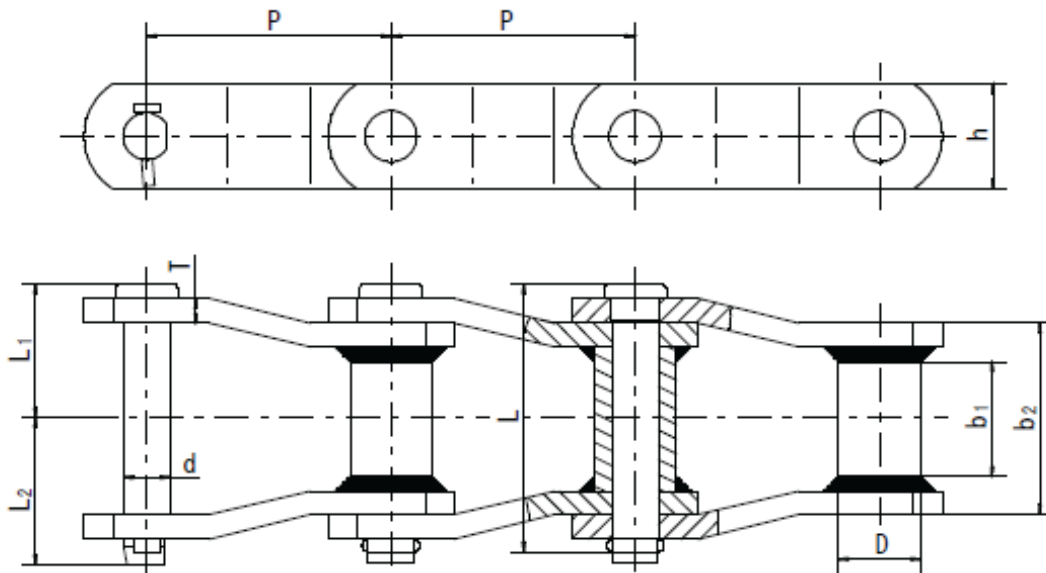
Chain No.	Pitch P mm	Narrow end		Bush diameter D(max) mm	Sidebars		Pin				Ultimate tensile strength F_u (min) kN	Rated working load kN	q kg/m
		b 1(min) mm	b 2(max) mm		h mm	T mm	d mm	L mm	L 1 mm	L 2 mm			
WR78	66.27	28.4	51	22.23	28.6	6.4	12.7	72.3	36.3	39.5	106.8	17.80	5.92
WH78	66.27	28.4	51	22.23	28.6	6.4	12.7	72.3	36.3	39.5	160	26.67	5.92
DWR78	66.27	28.4	50.8	21.4	31.8	6.4	12.7	72.3	36.3	39.5	106.8	17.80	6.44
DWH78	66.27	28.4	50.8	21.4	31.8	6.4	12.7	72.3	36.3	39.5	160	26.67	6.44
NH78-N 1	66.27	28.6	52.2	22.8	31.8	7	12.7	75	37.5	41	210	35.00	6.93
WS78	66.27	20	41.3	21.3	25.4	6.4	12.7	62.6	31.5	34.6	106	17.67	5.04
WSR78	66.27	20	41.3	21.3	25.4	6.4	12.7	62.6	31.5	34.6	66.7	11.11	5.16
AF78	66.27	28.4	50.8	27	31.8	6.4	12.7	72.3	36.3	39.5	106.8	17.80	6.98
WH78B	66.27	28.4	50.8	27	31.8	6.4	12.7	72.3	36.3	39.5	106.8	17.80	6.98
*WR78SS	66.27	28.4	50.6	21.4	31.8	6	12.7	71.5	35.7	39.3	80	13.33	6.19
WR82	78.1	31.8	57.4	25.4	31.8	6.4	14.27	79.5	40	43.5	133.4	22.23	6.85
WH82	78.1	31.8	57.4	27	31.8	6.4	14.27	79.5	40	43.5	177.8	29.63	7.14
NH82-N 1	78.1	31.8	57.1	25.4	31.8	6.4	14.27	79.5	40	43.5	177.8	29.63	6.85

The materials for the component parts of the chain marked are all 2Cr13 (AISI 420)

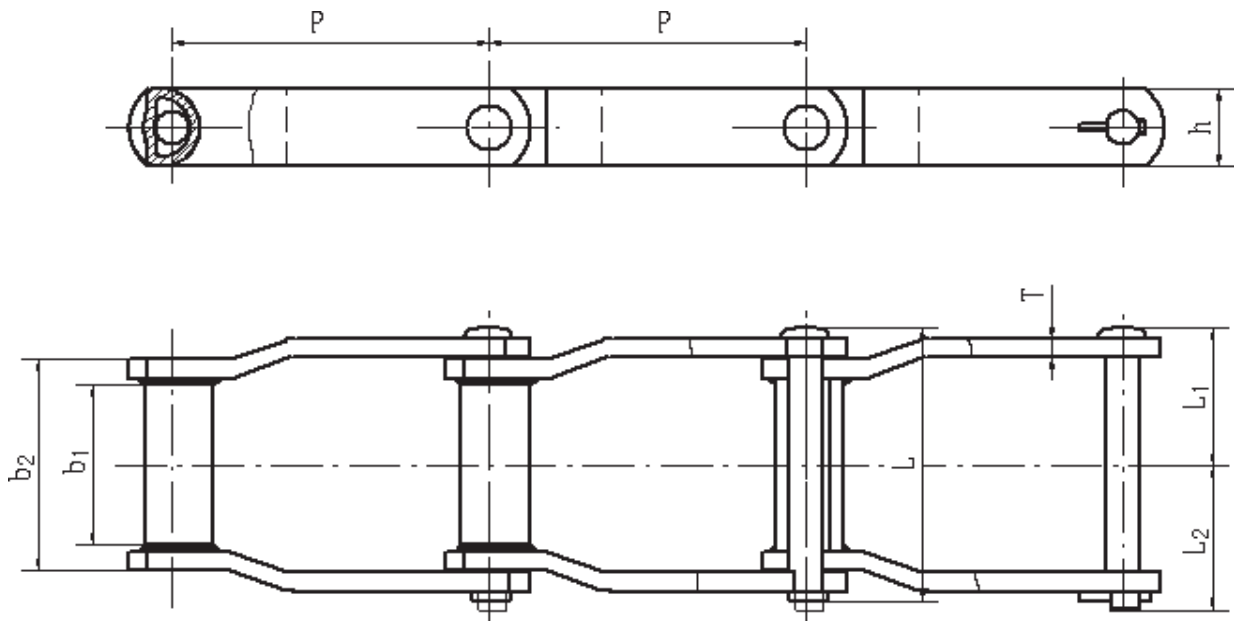


Chain No.	Pitch P mm	Narrow End		Bush diameter	Sidebars		Pin				Ultimate tensile strength Fu min kN	Rated working load kN	Weight per meter q kg/m
		b 1(min) mm	b 2(max) mm	D(max) mm	h mm	T mm	d mm	L mm	L 1 mm	L 2 mm			
WR106	152.4	41.2	71.6	31.75	38.1	9.5	19.05	102.5	52	56	176.7	29.45	9.6
WH106	152.4	41.2	71.6	31.75	38.1	9.5	19.05	102.5	52	56	266	44.33	9.6
WR111	120.9	50.8	85.7	31.75	44.5	9.5	19.05	116.2	59.35	63.25	169	28.17	13
WH111	120.9	50.8	85.7	31.75	44.5	9.5	19.05	116.2	59.35	63.25	224.6	37.43	13
WR124	101.6	41.2	71.5	31.75	38.1	9.5	19.05	102.5	52	56	204	34.00	11.52
WH124	101.6	41.2	71.5	31.75	38.1	9.5	19.05	102.5	52	56	266.7	44.45	11.52
WR132	153.67	76.2	111.6	44.5	50.8	12.7	25.4	152.7	77.3	81.7	275.8	45.97	21.03
WH132	153.67	76.2	111.6	44.5	50.8	12.7	25.4	152.7	77.3	81.7	378.1	63.02	21.03
WR150	153.67	76.2	111.6	44.5	63.5	12.7	25.4	152.7	77.3	81.7	450	75.00	24.86
WH150	153.67	76.2	111.6	44.5	63.5	12.7	25.4	152.7	77.3	81.7	600	100.0	24.86
WH720S	152.4	28.5	55	32	40	10	19.05	/	44.5	49.5	224	37.33	9.65
FWHX150	153.67	71	110	44.5	65	12	25	148.7	75	81	540	90	24.7

Chain No.	Pitch P mm	Narrow End		Bush diameter D(max) mm	Sidebars		Pin				Ultimate tensile strength Fu (min) kN	Rated working load kN	weight per meter q kg/m
		b ₁ (min) mm	b ₂ (max) mm		h mm	T mm	d mm	L mm	L ₁ mm	L ₂ mm			
WR78XHD	66.95	25.4	51.2	25.4	31.8	9.5	14.27	79.5	40.2	45.3	133	22.17	9.32
WH78XHD	66.95	25.4	51.2	25.4	31.8	9.5	14.27	79.5	40.2	45.3	160	26.67	9.32
WR82XHD	78.1	28.6	60.8	31.75	38.1	9.5	19.05	91.8	46.5	50.8	224	37.33	12.7
WH82XHD	78.1	28.6	60.8	31.75	38.1	9.5	19.05	91.8	46.5	50.8	253	42.17	12.7
WR124XHD	103.2	38.1	76.3	41.28	50.8	12.7	25.4	117.4	59.4	64.3	373.4	62.23	21.23
WH124XHD	103.2	38.1	76.3	41.28	50.8	12.7	25.4	117.4	59.4	64.3	542.3	90.38	21.23
WH132XHD	153.67	69.85	119.03	44.5	50.8	15.9	25.4	166.6	84	89.7	542	90.33	24.76

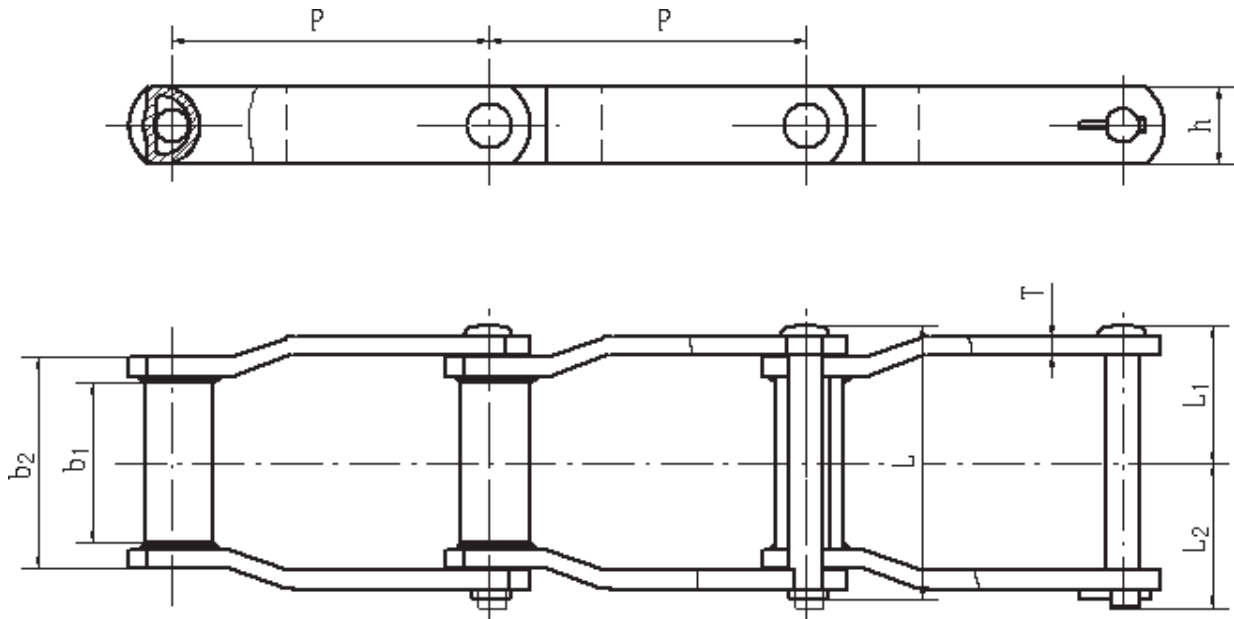


Chain No.	Pitch P mm	Narrow End		Bush diameter D(max) mm	Sidebars		Pin				Ultimate tensile strength Fu min kN	Rated working load kN	Weight per meter q kg/m
		b ₁ (min) mm	b ₂ (max) mm		h mm	T mm	d mm	L mm	L ₁ mm	L ₂ mm			
WHX124	101.6	41.2	71.11	36.53	38.1	9.5	19	105.6	51.88	56.12	225	37.50	12.45
WHX132	153.67	72.1	111.76	44.45	50.8	12.7	25.2	151.3	77.54	84.16	377.8	62.97	20.42
WHX150	153.67	72.1	111.76	44.45	63.5	12.7	25.2	151.3	77.54	84.16	400	66.67	24.48
WHX155	153.67	69.85	112.01	44.45	63.5	14.3	28.37	154.8	78.03	86.87	453	75.50	27.66
WHX157	153.67	69.85	118.11	44.45	63.5	15.9	28.52	163.3	82.1	91.9	520	86.67	29.23



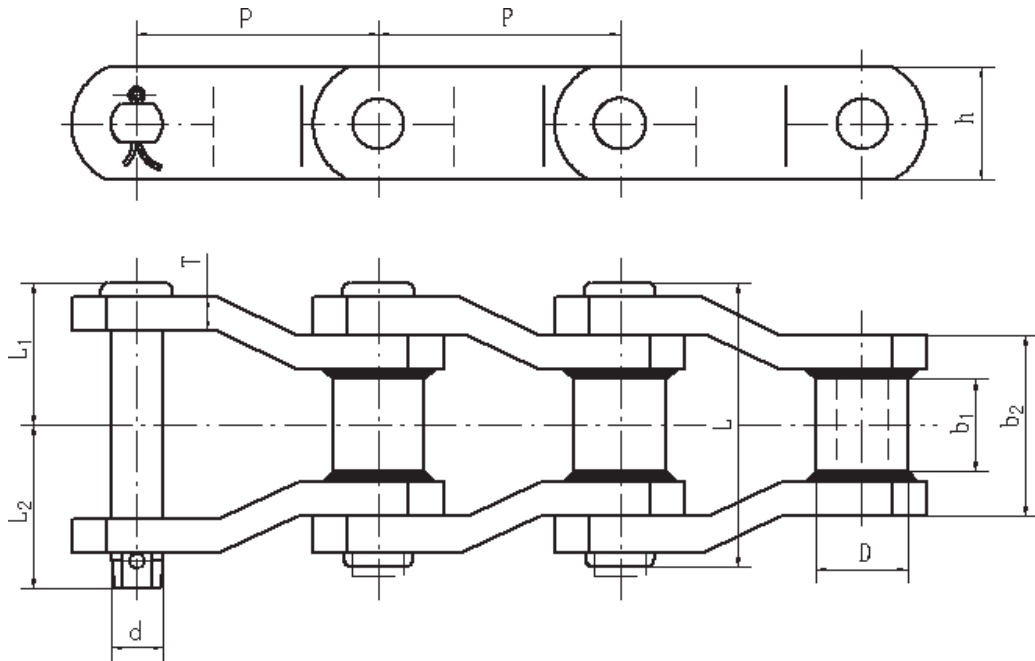
Chain No.	P mm									Qmin kN	Rated working load kN	q kg/m
		b 1(min) mm	b 2(max) mm	h mm	T mm	d mm	L mm	L 1 mm	L 2 mm			
WDH110	152.4	228.6	263.53	38.1	9.5	18.9	299.7	147.75	154.45	244.5	40.75	16.90
WDR110	152.4	228.6	263.53	38.1	9.5	18.9	299.7	147.75	154.45	169	28.17	16.90
WDH112	203.2	228.6	263.53	38.1	9.5	18.9	299.7	147.75	154.45	244.5	40.75	14.11
WDR112	203.2	228.6	263.53	38.1	9.5	18.9	299.7	147.75	154.45	169	28.17	14.11
WDH120	152.4	222.25	260.35	50.8	12.7	22.07	305	150.47	156.93	351.4	58.57	28.64
WDR120	152.4	222.25	260.35	50.8	12.7	22.07	305	150.47	156.93	311.4	51.90	28.64
WDH480	203.2	285.75	323.85	50.8	12.7	22.07	369	182.2	188.7	351.4	58.57	26.91
WDR480	203.2	285.75	323.85	50.8	12.7	22.07	369	182.2	188.7	311.4	51.90	26.91

Q min Kn = Ultimate tensile strength

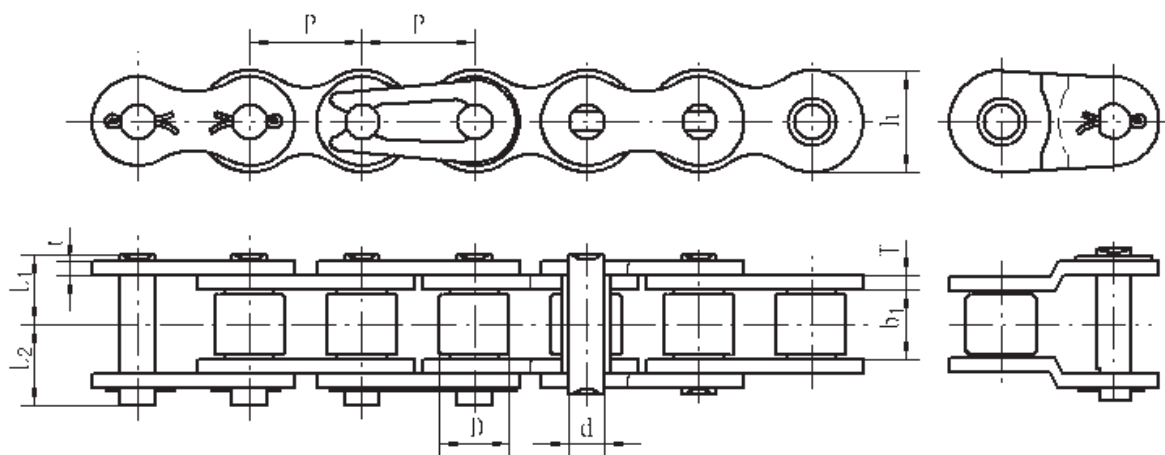


Chain No.	P mm									Q(min) kN	Rated working load kN	q kg/m
		b 1(min) mm	b 2(max) mm	h mm	T mm	d mm	L mm	L 1 mm	L 2 mm			
WDH2210	155.85	228.6	263.53	38.1	9.5	18.9	299.7	147.75	154.45	244.5	40.75	16.70
WDR2210	155.85	228.6	263.53	38.1	9.5	18.9	299.7	147.75	154.45	169	28.17	16.70
WDH2380	207.29	285.75	323.85	50.8	12.7	22.07	369	182.2	188.7	351.4	58.57	26.56
WDR2380	207.29	285.75	323.85	50.8	12.7	22.07	369	182.2	188.7	311.4	51.90	26.56

Q min Kn = Ultimate tensile strength



Chain No.	Pitch P mm	Narrow End		Bush diameter	Sidebars		Pin				Ultimate tensile strength F_u min kN	Rated working load kN	q kg/m
		b_1 (min) mm	b_2 (max) mm	D(max) mm	h mm	T mm	d mm	L mm	L_1 mm	L_2 mm			
WHX106	152.4	41.2	71.11	36.53	38.1	9.5	19	105.6	51.8	56.2	225	37.5	9.70
WHX111	120.9	56.5	85.31	36.53	38.1	9.5	19	120.8	/	/	225	37.5	12.45
WHXA124	101.6	41.2	71.11	36.53	38.1	9.5	19	105.6	51.8	56.2	225	37.5	13.03
WHX124HD	103.2	38.1	77.21	41.28	50.8	12.7	22.25	113.2	56.6	65.7	356	59.33	20.68
WHX155WOIL	153.67	69.85	112.01	44.45	63.5	14.3	28.37	154.8	77.4	87.5	453	75.5	27.433
WHX157HS	153.67	69.85	118.11	44.45	63.5	15.9	28.52	163.3	81.4	92.6	520	86.67	28.91



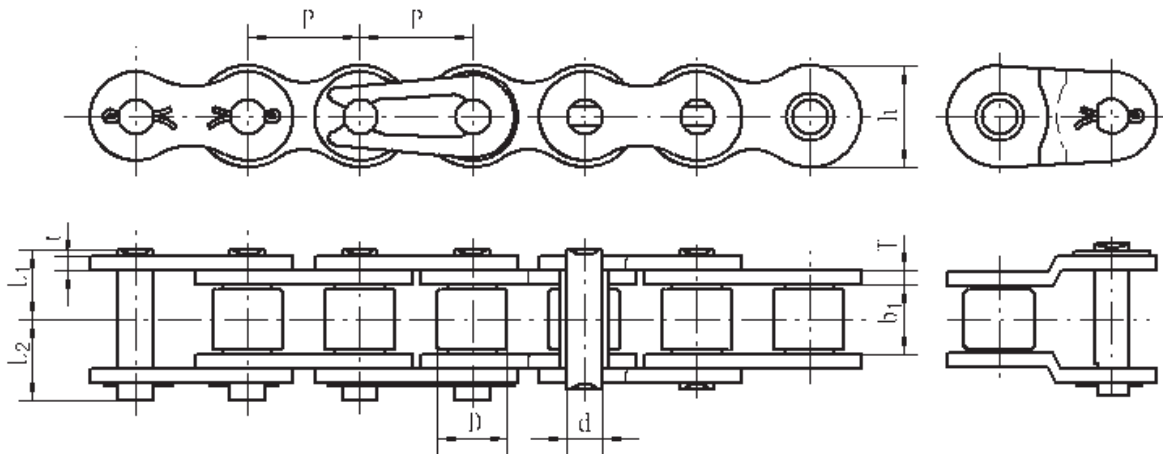
DIN/ISO Chain No.	P mm	b ₁ (min) mm	D (max) mm						Q ^o min kN	q kg/m
				d mm	L ₁ mm	L ₂ mm	h mm	t/T mm		
*25SS-1	6.35	3.1	3.3	2.31	3.9	4.8	5.9	0.75	2.34	0.14
*35SS-1	9.525	4.68	5.08	3.58	6	7.2	9	1.27	6	0.35
41SS-1	12.7	6.25	7.77	3.58	6.85	8.25	9.8	1.27	4.7	0.44
40SS-1	12.7	7.85	7.92	3.96	8.3	9.6	12	1.52	10.4	0.65
50SS-1	15.875	9.4	10.16	5.08	10.25	11.85	15	2	19	1.04
60SS-1	19.05	12.57	11.91	5.94	12.65	14.35	18	2.4	24	1.54
80SS-1	25.4	15.75	15.88	7.92	16.35	17.75	23.5	3.2	42.8	2.64
100SS-1	31.75	18.9	19.05	9.52	19.8	23.3	30	4	58	3.98
120SS-1	38.1	25.22	22.23	11.1	25	28.3	35.8	4.9	78	5.87
03BSS-1	5	2.5	3.2	1.49	3.1	4.1	4.1	0.6	1.3	0.09
04BSS-1	6	2.8	4	1.85	3.3	4.2	5	0.6	1.3	0.12
05BSS-1	8	3	5	2.31	3.9	4.8	7	0.75	3.5	0.18
06BSS-1	9.525	5.72	6.35	3.28	6.27	7.23	8.2	1.0/1.27	5.4	0.38
08BSS-1	12.7	7.75	8.51	4.45	8.5	9.9	11.8	1.65	11.3	0.74
10BSS-1	15.875	9.65	10.16	5.08	9.6	10.9	14.6	1.65	14.9	0.95
12BSS-1	19.05	11.68	12.07	5.72	11	12.4	16	1.8	17.5	1.22
16BSS-1	25.4	17.02	15.88	8.28	17.65	19.05	20.9	3.2/4	42	2.77
20BSS-1	31.75	19.56	19.05	10.19	20.2	23.8	26	3.6/4.5	60	3.84
24BSS-1	38.1	25.4	25.4	14.63	26.65	31.05	33	5/6	92.8	7.04

Q min Kn = Ultimate tensile strength

* chains: Bushing chains with no roller;

Connecting Type: The series less than 80SS - 16BSS (including 80SS - 16BSS) is preferred for spring clip type;

The series larger than 100SS - 20BSS (including 100SS - 20BSS) is preferred for cottered type.



DIN/ISO Chain No.	Pitch P mm	b ₁ (min) mm	D (max) mm						Pt mm	Q min kN	q kg/m
				d mm	L mm	L mm	H mm	t/T mm			
*25SS-2	6.35	3.1	3.3	2.31	7.1	7.9	5.9	0.75	6.4	4.45	0.27
*35SS-2	9.525	4.68	5.08	3.58	11.1	12.3	9	1.27	10.13	11.4	0.69
40SS-2	12.7	7.85	7.92	3.96	15.5	16.7	12	1.52	14.38	19.76	1.30
50SS-2	15.875	9.4	10.16	5.08	19.3	20.7	15	2	18.11	36.1	2.06
60SS-2	19.05	12.57	11.91	5.94	24.05	25.95	18	2.4	22.78	45.6	3.06
80SS-2	25.4	15.75	15.88	7.92	31	32.4	23.5	3.2	29.29	81.32	5.26
100SS-2	31.75	18.9	19.05	9.52	37.7	41.1	30	4	35.76	110.2	7.90
120SS-2	38.1	25.22	22.23	11.1	47.75	51.05	35.8	4.9	45.44	148.2	11.68
05BSS-2	8	3	5	2.31	6.75	7.59	7	0.75	5.64	6.65	0.36
06BSS-2	9.525	5.72	6.35	3.28	11.4	12.4	8.2	1.0/1.27	10.24	10.26	0.74
08BSS-2	12.7	7.75	8.51	4.45	15.5	16.9	11.8	1.65	13.92	21.47	1.45
10BSS-2	15.875	9.65	10.16	5.08	17.9	19.3	14.6	1.65	16.59	28.31	1.88
12BSS-2	19.05	11.68	12.07	5.72	20.75	22.15	16	1.8	19.46	33.25	2.42
16BSS-2	25.4	17.02	15.88	8.28	33.6	35	20.9	3.2/4	31.88	79.8	5.47
20BSS-2	31.75	19.56	19.05	10.19	38.45	42.05	26	3.6/4.5	36.45	114	7.61
24BSS-2	38.1	25.4	25.4	14.63	50.85	55.25	33	5/6	48.36	176.3	13.91

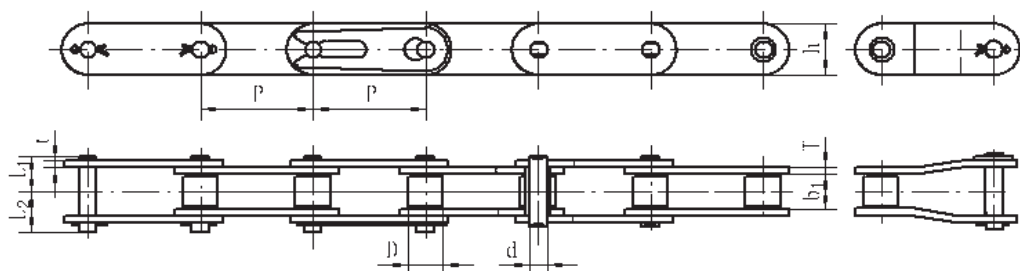
Q min Kn = Ultimate tensile strength

* chains: Bushing chains with no roller;

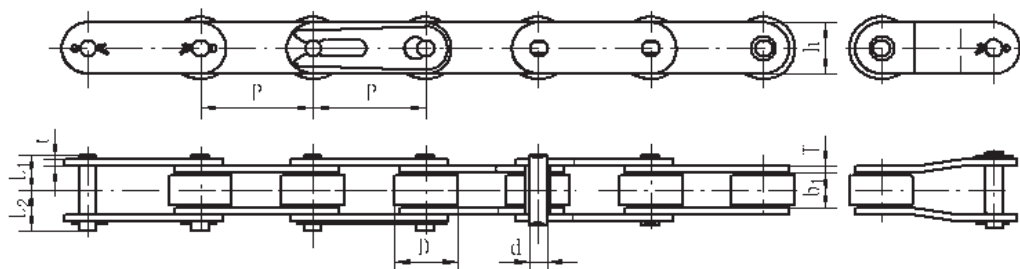
Connecting Type: The series less than 80SS - 16BSS (including 80SS - 16BSS) is preferred for spring clip type;

The series larger than 100SS - 20BSS (including 100SS - 20BSS) is preferred for cottered type.

Standard Roller Type



Oversize Roller Type



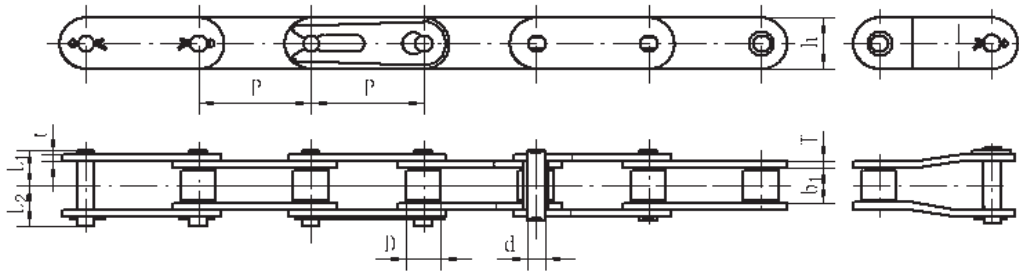
ANSI Chain No.	P mm	b ₁ (min) mm	D (max) mm						Q _{min} kN	q kg/m
				d mm	L ₁ mm	L ₂ mm	h mm	t/T mm		
C2040SS	25.4	7.85	7.92	3.96	8.3	9.6	12	1.52	10.4	0.52
C2042SS	25.4	7.85	15.88	3.96	8.3	9.6	12	1.52	10.4	0.86
C208BSS	25.4	7.75	8.51	4.45	8.5	9.9	11.8	1.65	11.3	0.56
C208BLSS	25.4	7.75	15.88	4.45	8.5	9.9	11.8	1.65	11.3	0.88
C2050SS	31.75	9.4	10.16	5.08	10.25	11.85	15	2	19	0.83
C2052SS	31.75	9.4	19.05	5.08	10.25	11.85	15	2	19	1.29
C2060SS	38.1	12.57	11.91	5.94	12.65	14.35	18	2.4	24	1.20
C2062SS	38.1	12.57	22.23	5.94	12.65	14.35	18	2.4	24	1.91
C2080SS	50.8	15.75	15.88	7.92	16.2	17.9	23.5	3.2	42.8	2.10
C2082SS	50.8	15.75	28.58	7.92	16.2	17.9	23.5	3.2	42.8	3.12
C2100SS	63.5	18.9	19.05	9.52	19.8	23.3	30	4	58	3.22
C2102SS	63.5	18.9	39.67	9.52	19.8	23.3	30	4	58	5.33
C2120SS	76.2	25.22	22.23	11.1	25	28.3	35.8	4.9	78	4.72
C2122SS	76.2	25.22	44.45	11.1	25	28.3	35.8	4.9	78	7.72

Q min Kn = Ultimate tensile strength

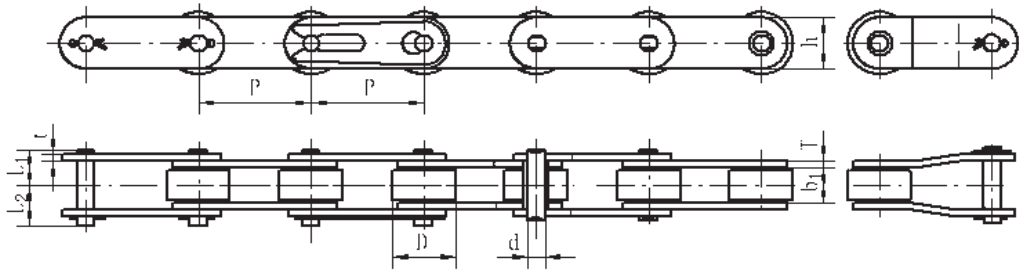
Connecting Type: The series less than C2060SS (including C2060SS) is preferred for spring clip type;

The series larger than C2080SS (including C2080SS) is preferred for cottered type.

Standard Roller Type



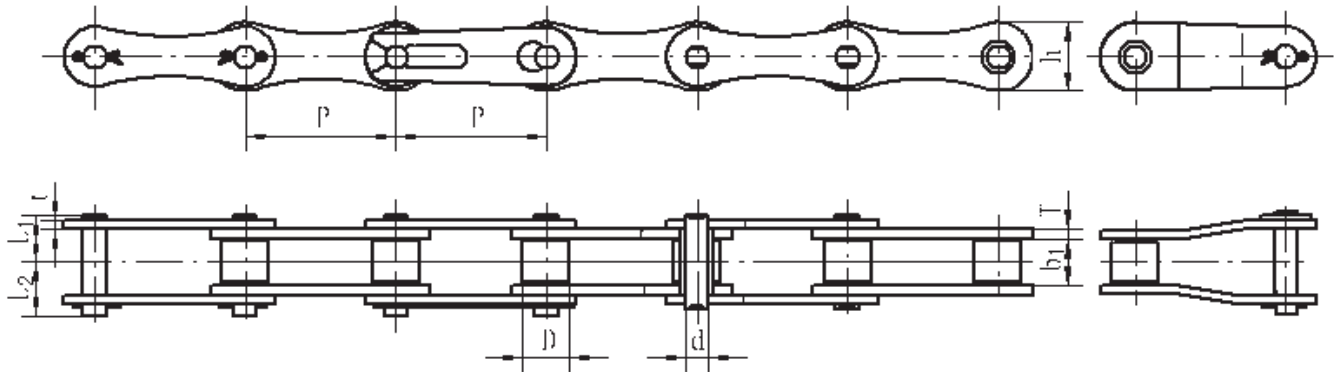
Oversize Roller Type



ANSI Chain No.	P mm	b ₁ (min) mm	D (max) mm				h mm	t/T mm	Q min kN	q kg/m
				d mm	L ₁ mm	L ₂ mm				
C2040HSS	25.4	7.85	7.92	3.96	9.25	10.55	12	2	10.4	0.63
C2042HSS	25.4	7.85	15.88	3.96	9.25	10.55	12	2	10.4	0.97
C2050HSS	31.75	9.4	10.16	5.08	11.05	12.45	15	2.4	19	0.95
C2052HSS	31.75	9.4	19.05	5.08	11.05	12.45	15	2.4	19	1.41
C2060HSS	38.1	12.57	11.91	5.94	14.3	15.7	18	3.2	24	1.51
C2062HSS	38.1	12.57	22.23	5.94	14.3	15.7	18	3.2	24	2.20
C2080HSS	50.8	15.75	15.88	7.92	17.85	19.25	23.5	4	42.8	2.50
C2082HSS	50.8	15.75	28.58	7.92	17.85	19.25	23.5	4	42.8	3.52
C2100HSS	63.5	18.9	19.05	9.52	21.55	25.05	30	4.9	58	3.77
C2102HSS	63.5	18.9	39.67	9.52	21.55	25.05	30	4.9	58	5.89
C2120HSS	76.2	25.22	22.23	11.1	26.5	29.9	35.8	5.6	78	5.29
C2122HSS	76.2	25.22	44.45	11.1	26.5	29.9	35.8	5.6	78	8.22

Q min Kn = Ultimate tensile strength

Connecting Type: The series less than C2060SS (including C2060SS) is preferred for spring clip type;
The series larger than C2080SS (including C2080SS) is preferred for cotteted type.



ANSI Chain No.	P mm	b ₁ (min) mm	D (max) mm						Q ^{min} kN	q kg/m
				d mm	L ₁ mm	L ₂ mm	h mm	t/T mm		
2040SS	25.4	7.85	7.92	3.96	8.3	9.6	12	1.52	10.4	0.42
2050SS	31.75	9.4	10.16	5.08	10.25	11.85	15	2	19	0.69
2060SS	38.1	12.57	11.91	5.94	12.65	14.35	18	2.4	24	1.01
2080SS	50.8	15.75	15.88	7.92	16.2	17.9	23.5	3.2	42.8	1.74

Q min Kn = Ultimate tensile strength

Connecting Type: The series less than 2060SS (including 2060SS) is preferred for spring clip type;
The series larger than 2080SS (including 2080SS) is preferred for cottered type.

Chain Maintenance

To achieve satisfactory performance and service life, the roller chain transmission system should be maintained properly. If the selection and assembly of shafts, bearings, chains and sprockets are proper, we should establish a maintenance system to ensure that the transmission system works well.

- a) Proper amount of lubrication is available in the transmission system
- b) There is no obstruction in the transmission system;
- c) Replace the damaged chains and sprockets in time;
- d) Replace the worn chains and sprockets in time;
- e) The alignment of shafts and sprocket tooth faces should be accurate;
- f) Chains should be properly tightened;
- g) Protective devices are fixed correctly and in good condition.

The roller chain drive should be inspected after the initial 50 hours of operation. A continuous inspection of roller chain drive should be carried out after every 500 hours of operation under normal working conditions, and after every 200 hours of operation under tough working conditions. Experience shows that the inspection interval may be longer or shorter and it depends on the situation.

For some common problems please refer to “Troubleshooting”.

Problem	Probable Cause	Solution
Chain part lost	<ul style="list-style-type: none"> - Fixing error - Lost after broken 	<ul style="list-style-type: none"> - Replace the chain. - Find out the cause and replace the chain.
Rusts present on chain	<ul style="list-style-type: none"> - Exposed to moisture - Lubricant contains water - Inadequate lubrication 	<ul style="list-style-type: none"> - Replace the chain. - Replace lubricant to ensure that the lubricant system is water-proof, and replace the chain. Provide proper lubrication according to the operating conditions, and replace the chain if necessary.
Excessive noise	<ul style="list-style-type: none"> - Obstruction in the chains path. - Chain casing or bearings are loose. - Chain excessively slack or tight - Worn chain or sprockets - Misalignment of sprocket - Inadequate lubrication. - Chain pitch size too, large - The sproket doesn't have enough teeth. 	<ul style="list-style-type: none"> - Replace the chain and remove the obstruction - Tighten all nuts and bolts. - Adjust the centre distance if possible or replace the chain. - Replace the chain and where necessary the sprockets. - Recheck alignment to maintain normal drive conditions. - Improve the lubrication method to ensure the proper amount of lubrication is available in the bearing areas. - Check the chain selection and replace it with a smaller pitch chain. - Check if it can be replaced with larger sprocket. Otherwise, it should be redesigned.
Wear on the inside of the plate and one side of sprocket	<ul style="list-style-type: none"> - Misalignment of sprockets 	<ul style="list-style-type: none"> - Recheck alignment to maintain normal drive conditions.
Chain sticks to sprocket	<ul style="list-style-type: none"> - Worn sprockets - Misalignment of sprockets 	<ul style="list-style-type: none"> - Replace the chain and where necessary the sprockets. - Recheck alignment to maintain normal drive conditions.
Chain climbing up on the sprocket	<ul style="list-style-type: none"> - Chain excessively slack - Worn chain or sprockets - High overload 	<ul style="list-style-type: none"> - Tighten the chain. - Replace the chain and where necessary the sprockets. - Replace the chain and avoid overloading.
Spring clip broken or lost	<ul style="list-style-type: none"> - Spring clip improperly fixed - Obstruction in the chains path - Chain vibration - Exorbitant running speed 	<ul style="list-style-type: none"> - Fix the spring, clip properly according to manufacturer's requirement. - Replace the chain and remove the obstruction - Replace the chain and reduce the vibration by using larger sprockets. - Replace the chain and lower the running speed by using smaller pitch chain.
Rusts present on naked chain surface	<ul style="list-style-type: none"> - Exposed to corrosive condition 	<ul style="list-style-type: none"> - Replace the chain and keep away from corrosive condition.
Flaws present on side plate (Stress corrosion)	<ul style="list-style-type: none"> - Exposed to corrosive condition 	<ul style="list-style-type: none"> - Replace the chain and keep away from corrosive condition.

Problem	Probable Cause	Solution
Chain Stiffens, starts to whip	<ul style="list-style-type: none"> - Obstruction in the chains path - Inadequate lubrication - Misalignment of sprockets - Inner Corrosion - The pin bent due to high overload 	<ul style="list-style-type: none"> - Clean and lubricate the chain again. - Replace the chain and use proper lubricant method. - Replace the chain and where necessary the sprockets - Replace the chain and find out the cause of corrosion to protect the chain. - Replace the chain and avoid overloading.
Pin rotates	<ul style="list-style-type: none"> - Inadequate lubrication - Overload 	<ul style="list-style-type: none"> - Replace the chain and provide proper lubrication according to the operating conditions. - Replace the chain and avoid overloading.
Elongation of side plate hole	<ul style="list-style-type: none"> - Inadequate lubrication - Overload 	<ul style="list-style-type: none"> - Replace the chain and provide proper lubrication according to the operating conditions. - Replace the chain and avoid overloading.
Elongation of side plate hole	<ul style="list-style-type: none"> - Overload 	<ul style="list-style-type: none"> - Replace the chain and avoid overloading.
Side plate fatigue fracture	<ul style="list-style-type: none"> - System loading is greater than the capacity of the chain 	<ul style="list-style-type: none"> - Replace the chain and reduce the dynamic load. Or redesign the system by using larger pitch chain. - Replace the chain and where necessary the sprockets. Avoid overloading. Or redesign the system by using larger pitch chain.
Pin fails Side plate fails	<ul style="list-style-type: none"> - System loading is greater than the capacity of the chain 	<ul style="list-style-type: none"> - Replace the chain and reduce the dynamic load. Or redesign the system by using larger pitch chain. - Replace the chain and where necessary the sprockets. Avoid overloading. Or redesign the system by using larger pitch chain.
Side plates are worn	<ul style="list-style-type: none"> - The chain rubs against some obstruction 	<ul style="list-style-type: none"> - Replace the chain and remove the obstruction



Packaging

Amcan Bearing Company supplies chains in 10ft lengths in rust prohibitive boxes or 100ft reels (50 ft for 80 pitch and higher) Custom lengths can be supplied upon request..

Connecting Links

Connecting links are supplied standard with Amcan Chains. Additional Spring, Cotteded, or Off-Set connecting links are available upon request. In normal applications an odd number length of links will require a spring or cotteded connecting link. For lengths with even number of links Off-Set Connecting Links should be used to convert links from an even number of links to an odd number of links.

Materials and Temperature Limitations

Amcan Bearing Company provides chains that are constructed of high quality, heat treated carbon steel; and can be used at temperatures between 0^of and 350^of. As well, it can be used at higher temperatures up to 500^of, however capacity decreases as temperature rises over 350^of. At 500^of, capacity is approx. 50% of normal.

Stainless Steel Precision Roller Chain is constructed of high quality 304 grade stainless steel and provides an excellent solution for corrosive environments. As well, Stainless Steel Precision Roller Chain can be used at temperatures below 0^of and above 500^of. Stainless steel 316 available upon request.

Amcan Precision Roller Chain is also available in Nickel Plated and Dacromet Coated. This chain is ideal for washdown and humid environments.

Structural Dimensions

Amcan Precision Roller Chain is made in compliance with ANSI B29. 1 standards. The dimensions of roller chains components are produced in direct relation to pitch of the chain as follows;

Roller Diameter .625" x Pitch	Pin Diameter .3125" x Pitch	Plate Diameter .125" x Pitch
----------------------------------	--------------------------------	---------------------------------

For example for 40 chain; (1/2 inch pitch)

Pitch .50"	Roller Diameter .50" x .625" .3125"	Pin Diameter .50" x .3125" .15625"	Plate Thickness .50" x .125" .0625"
---------------	---	--	---





AMCAN

BEARING & BELTING



CHAINS

7 DISTRIBUTION CENTERS ACROSS NORTH AMERICA

Los Angeles

Tel: 562-848-6203
Toll Free: 1-800-434-6203

Chicago

Tel: 630-458-8700
Toll Free: 1-866-625-6203

Dallas

Tel: 214-420-9115
Toll Free: 1-888-477-6203

Toronto

Tel: 905-624-9948
Toll Free: 1-877-275-6304

Montréal

Tel: 514-342-6202
Toll Free: 1-866-349-6304

Edmonton

Tel: 780-486-6210
Toll Free: 1-877-454-6203

Vancouver

Tel: 604-941-6203
Toll Free: 1-866-941-6203

www.amcanbearing.com

Email: ussales@amcanbearing.com sales@amcanbearing.com



@amcanbearingofficial



@amcanofficial